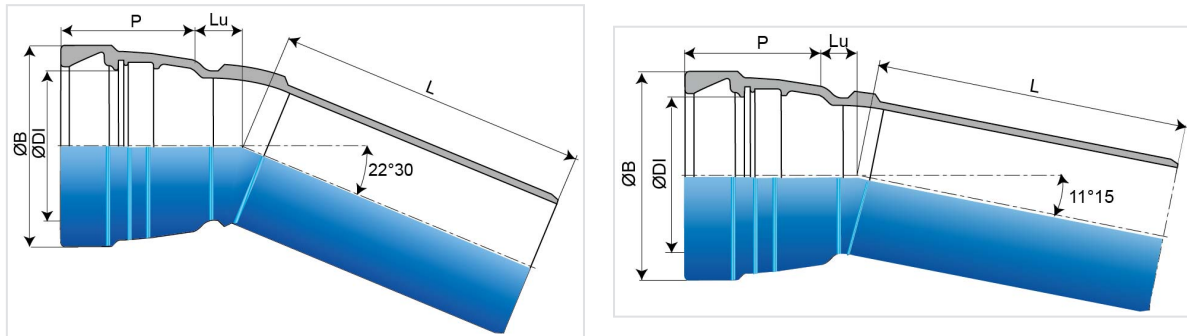


## Bend ALPINAL with 1 socket UNIVERSAL TYTON and 1 spigot-end



Angle	DN (mm)	Lu (mm)	L (mm)	P (mm)	ØDI (mm)	ØB (mm)	Mass (kg)	References
22°30	80	40	340.2	137.2	101.5	160.6	11.60	SKA80DD00TT
11°15	80	30	330.2	137.2	101.5	160.6	14.10	SKA80DE00TT
22°30	100	40	313.3	143.3	121.5	177	13.80	SKB10DD00TT
11°15	100	30	303	143.3	121.5	177	13.40	SKB10DE00TT
22°30	125	50	349.1	142.7	147.5	201.4	18.10	SKB12DD00TT
11°15	125	35	334.1	142.7	147.5	201.4	17.40	SKB12DE00TT
22°30	150	45	349	148	173.5	230	21.80	SKB15DD00TT
11°15	150	35	339	148	173.5	230	22.90	SKB15DE00TT

### Field of use:

- For connecting and water supply of snow guns
- Working networks under very high pressures

### Main characteristics:

- External and internal coating : Blue epoxy powder 250 microns average thickness with a minimum of 200 microns, conforming to EN 14901-1 (PECB)
- Thickness of ductile iron adapted to the pressure
- Elastomer of quality EPDM
- Class : pressure class according to EN 545 and ISO 2531

## Linked products



Kit ALPINAL Universal  
Tyton Fitting PECB +  
Universal Tyton Joint



Kit ALPINAL Universal  
Tyton Fitting PECB +  
Universal Tyton Vi Joint



Kit ALPINAL Universal  
Tyton Fitting PECB +  
Universal Tyton Ve Joint

*The information on this sketch is, to the best of our knowledge correct at the time of printing. However Saint-Gobain are constantly looking at ways of improving their products and services therefore reserve the right to change without prior notice, any of the data shown. Any orders placed will be subject to our Standard Conditions of Sale, available on request.*