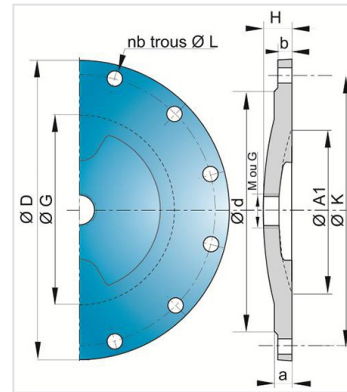
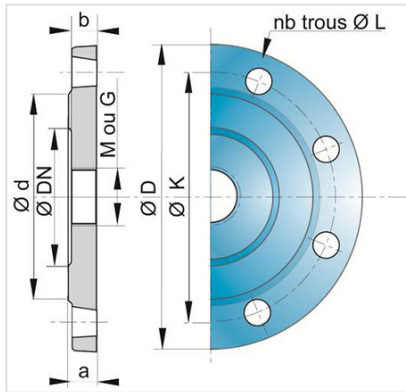


## Blank Flange (PECB) Central Boss ISO threaded



DN (mm)	Threaded	PN 10		PN 16		PN 25		PN 40	
		Mass (kg)	References	Mass (kg)	References	Mass (kg)	References	Mass (kg)	References
40	M40	2.00	BBA40QT1BTT	2.00	BBA40QT1BTT	2.00	BBA40QT1BTT		
60	M40	2.70	BBA60QT1BTT	2.70	BBA60QT1BTT				
60	M55	2.80	BBA60QT1CTT	2.80	BBA60QT1CTT				
80	M40	3.50	BBA80QT1BTT	3.50	BBA80QT1BTT	3.50	BBA80QT1BTT	3.50	BBA80QT1BTT
80	M55	3.50	BBA80QT1CTT	3.50	BBA80QT1CTT	3.50	BBA80QT1CTT	3.50	BBA80QT1CTT
100	M40	4.30	BBB10QT1BTT	4.30	BBB10QT1BTT	4.80	BBB10QT3BTT	4.80	BBB10QT3BTT
100	M55	4.30	BBB10QT1CTT	4.30	BBB10QT1CTT				
125	M40	5.60	BBB12QT1BTT	5.60	BBB12QT1BTT				
125	M55	5.60	BBB12QT1CTT	5.60	BBB12QT1CTT				
150	M40	7.20	BBB15QT1BTT	7.20	BBB15QT1BTT				
150	M55	7.20	BBB15QT1CTT	7.20	BBB15QT1CTT				
200	M40	11.00	BBB20QT1BTT	13.80	BBB20QT2BTT				
200	M55	11.00	BBB20QT1CTT	13.80	BBB20QT2CTT	14.00	BBB20QT3CTT		
250	M40	16.90	BBB25QT1BTT	16.90	BBB25QT2BTT				
250	M55	16.90	BBB25QT1CTT	16.90	BBB25QT2CTT	22.00	BBB25QT3CTT	34.00	BBB25QT4CTT
300	M40	26.50	BBB30QT1BTT	26.50	BBB30QT2BTT				
300	M55	26.50	BBB30QT1CTT	26.50	BBB30QT2CTT	33.00	BBB30QT3CTT		
350	M40	32.50	BBB35QT1BTT						
350	M55	32.50	BBB35QT1CTT	37.50	BBB35QT2CTT				
400	M40	45.50	BBB40QT1BTT	43.50	BBB40QT2BTT				
400	M55	45.50	BBB40QT1CTT	43.50	BBB40QT2CTT				

DN (mm)	Threaded	PN 10		PN 16		PN 25		PN 40	
		Mass (kg)	References	Mass (kg)	References	Mass (kg)	References	Mass (kg)	References
450	M40	58.00	BBB45QT1BTT	62.00	BBB45QT2BTT				
450	M55	58.00	BBB45QT1CTT	62.00	BBB45QT2CTT				
500	M40	70.00	BBB50QT1BTT	84.00	BBB50QT2BTT				
500	M55	70.00	BBB50QT1CTT	84.00	BBB50QT2CTT	101.00	BBB50QT3CTT		
600	M40	106.00	BBB60QT1BTT						
600	M55	106.00	BBB60QT1CTT	133.00	BBB60QT2CTT	156.00	BBB60QT3CTT		
700	M55	153.00	BBB70QT1CTT	166.00	BBB70QT2CTT				
800	M55	214.00	BBB80QT1CTT	230.00	BBB80QT2CTT				
900	M55	279.00	BBB90QT1CTT	300.00	BBB90QT2CTT				
1000	M55	367.00	BBC10QT1CTT	400.00	BBC10QT2CTT				

DN (mm)	PN	Threaded	ØD (mm)	a (mm)	b (mm)	Ød (mm)	ØG (mm)	H (mm)	Number of holes	ØL (mm)	ØK (mm)	A1 (mm)
40	10 16 25	M40	565	24.5	20.5	480	385	62	16	28	515	350
60	10 16	M40	175	19	16	108			4	19	135	
60	10 16	M55	175	19	16	108			4	19	135	
80	10 16 25 40	M40	200	19	16	132			8	19	160	
80	10 16 25 40	M55	200	19	16	132			8	19	160	
100	25 40	M40	235	19	16	156			8	23	190	
100	10 16	M40	200	19	16	153			8	19	180	
100	10 16	M55	200	19	16	153			8	19	180	
125	10 16	M40	250	19	16	184			8	19	210	
125	10 16	M55	250	19	16	184			8	19	210	
150	10 16	M40	285	19	16	211			8	23	240	
150	10 16	M55	285	19	16	211			8	23	240	
200	10	M40	340	20	17	266			8	23	295	
200	16	M40	340	20	17	266			12	23	295	
200	10	M55	340	20	17	266			8	23	295	
200	16	M55	340	20	17	266			12	23	295	
200	25	M55	360	22	19	274	190		12	28	310	180
250	10	M40	400	22	19	319			12	23	350	
250	16	M40	400	22	19	319			12	28	355	
250	10	M55	400	22	19	319			12	23	350	
250	16	M55	400	22	19	319			12	28	355	
250	25	M55	425	24.5	21.5	330	240		12	31	370	230

DN (mm)	PN	Threaded	ØD (mm)	a (mm)	b (mm)	Ød (mm)	ØG (mm)	H (mm)	Number of holes	ØL (mm)	ØK (mm)	A1 (mm)
250	40	M55	425	24.5	21.5	330	240	46.5	12	31	370	230
300	10	M40	455	24.5	20.5	370	290	40.5	12	23	400	246
300	16	M40	455	24.5	20.5	370	290	40.5	12	28	410	246
300	10	M55	455	24.5	20.5	370	290	40.5	12	23	400	246
300	16	M55	455	24.5	20.5	370	290	40.5	12	28	410	246
300	25	M55	485	27.5	23.5	389	290	53.5	16	31	430	250
350	10	M40	505	24.5	20.5	429	340	50.3	16	23	460	290
350	10	M55	505	24.5	20.5	429	340	50.3	16	23	460	290
350	16	M55	520	26.5	22.5	429	340	52.3	16	28	470	290
400	10	M40	565	24.5	20.5	480	385	62	16	28	515	350
400	16	M40	580	28	24	480	385	64	16	31	525	350
400	10	M55	565	24.5	20.5	480	385	62	16	28	515	350
400	16	M55	580	28	24	480	385	64	16	31	525	350
450	10	M40	615	25.5	21.5	530	435	68.5	20	28	565	400
450	16	M40	640	30	26	548	435	71	20	31	585	400
450	10	M55	615	25.5	21.5	530	435	68.5	20	28	565	400
450	16	M55	640	30	26	548	435	71	20	31	585	400
500	10	M40	670	26.5	22.5	582	490.4	58	20	28	620	450
500	16	M40	715	31.5	27.5	609	485	77.5	20	34	650	450
500	10	M55	670	26.5	22.5	582	490.4	58	20	28	620	450
500	16	M55	715	31.5	27.5	609	485	77.5	20	34	650	450
500	25	M55	730	36.5	32.5	609	485	82.5	20	37	660	450
600	10	M40	780	30	25	682	585	88	20	31	725	550
600	10	M55	780	30	25	682	585	88	20	31	725	550
600	16	M55	840	36	31	720	585	91	20	37	770	550
600	25	M55	845	42	37	720	585	97	20	41	770	550
700	10	M55	895	32.5	27.5	794	680	101	24	31	840	650
700	16	M55	910	39.5	34.5	794	685	112	24	37	840	650
800	10	M55	1015	35	30	901	785	114	24	34	950	750
800	16	M55	1025	43	38	901	785	126	24	41	950	750
900	10	M55	1115	37.5	32.5	1001	885	127	28	34	1050	850
900	16	M55	1125	46.5	41.5	1001	885	141	28	41	1050	850
1000	10	M55	1230	40	35	1112	985	140	28	37	1160	950
1000	16	M55	1255	50	45	1112	985	155	28	44	1170	950

### Field of use:

- For drinking water networks

### Main characteristics:

- External and internal coating : Blue epoxy powder 250 microns average thickness with a minimum of 200 microns, conforming to EN 14901 (PECB)
- In conformity with EN 545:2010 and ISO 2531:2009

### Linked products



Flanged joint with hot  
galvanized steel bolts, nuts  
and washers

*The information on this sketch is, to the best of our knowledge correct at the time of printing. However Saint-Gobain are constantly looking at ways of improving their products and services therefore reserve the right to change without prior notice, any of the data shown. Any orders placed will be subject to our Standard Conditions of Sale, available on request.*