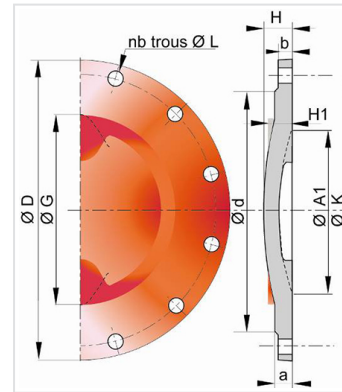
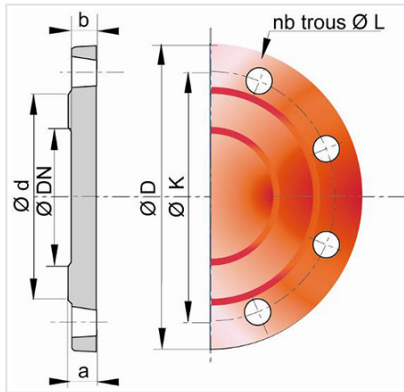


Blank Flange INTEGRAL



DN (mm)	Mass (kg)	References
100	4.30	TBB10QN10FF
150	7.20	TBB15QN10FF
200	11.00	TBB20QN10FF
250	16.90	TBB25QN10FF
300	26.50	TBB30QN10FF
400	45.50	TBB40QN10FF
500	70.00	TBB50QN10FF
600	106.00	TBB60QN10FF
700	153.00	TBB70QN10FF
800	214.00	TBB80QN10FF
900	279.00	TBB90QN10FF
1000	367.00	TBC10QN10FF
1100	405.00	TBC11QN10FF
1600	1239.00	BBC16QN10FF

DN (mm)	ØD (mm)	a (mm)	b (mm)	Ød (mm)	ØG (mm)	H (mm)	H1 (mm)	Number of holes	ØL (mm)	ØK (mm)	A1 (mm)
100	220	19	16	153				8	19	180	
150	285	19	16	209				8	23	240	
200	340	20	17	264				8	23	295	
250	400	22	19	319				12	23	350	
300	455	24.5	20.5	367	290	40.5		12	23	400	246
400	565	24.5	20.5	480	385	62		16	28	515	350

DN (mm)	ØD (mm)	a (mm)	b (mm)	Ød (mm)	ØG (mm)	H (mm)	H1 (mm)	Number of holes	ØL (mm)	ØK (mm)	A1 (mm)
500	670	26.5	22.5	585	490.4	58		20	28	620	450
600	780	33	28	682	585	88		20	31	725	550
700	895	32.5	27.5	794	680	101	55	24	31	840	650
800	1015	35	30	901	785	114	60	24	34	950	750
900	1115	37.5	32.5	1001	885	127	60	28	34	1050	850
1000	1230	40	35	1112	985	140	65	28	37	1160	950
1100	1340	42.5	37.5	1218	1085	148	65	32	37	1270	1050
1600	1915	49	44	1750	1575	218		40	50	1820	

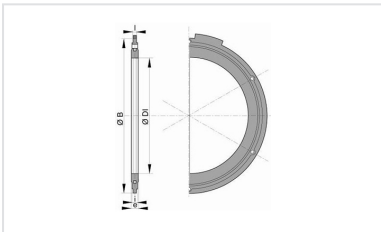
Field of use:

- Separate sewer system and combined sewer system
- Application: gravity flow and rising main sewerage systems
- Type of effluent: domestic wastewater and rainwater
- For networks with rising main under pressure
- For effluents between pH1 and pH13

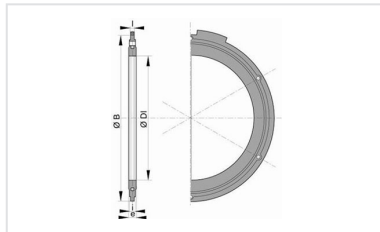
Main characteristics:

- External and internal coating: red epoxy powder 250µm (PECR)
- EN 598 / CE Marking
- Declaration of performances [DoP-INTEGRAL005EN](#)
- Designed according to the regulatory texts:
 - NF EN 476: general prescriptions for components used in the networks
 - NF EN 752: Conception of sewage projects
 - NF EN 1610: Reception of the works
 - CCTG: Fascicule 70 (sewage work)

Linked products



Flanged joint with hot galvanized steel bolts, nuts and washers for sewage



Flanged joint with hot galvanized steel bolts, nuts and washers

The information on this sketch is, to the best of our knowledge correct at the time of printing. However Saint-Gobain are constantly looking at ways of improving their products and services therefore reserve the right to change without prior notice, any of the data shown. Any orders placed will be subject to our Standard Conditions of Sale, available on request.