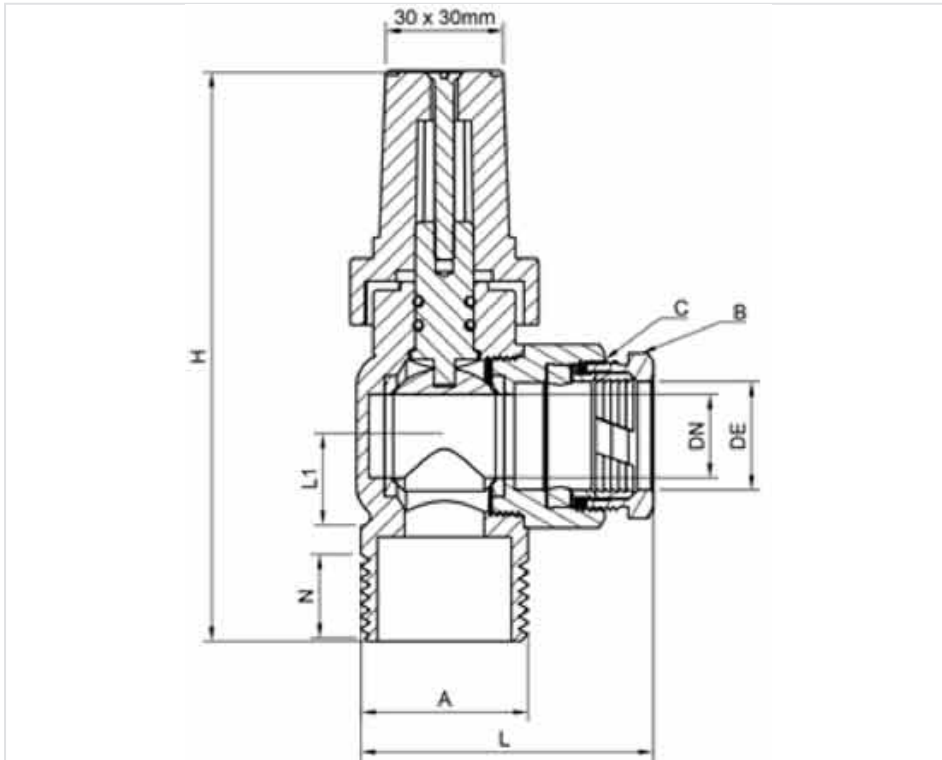


Brass Ferrule NEXUS - Vertical

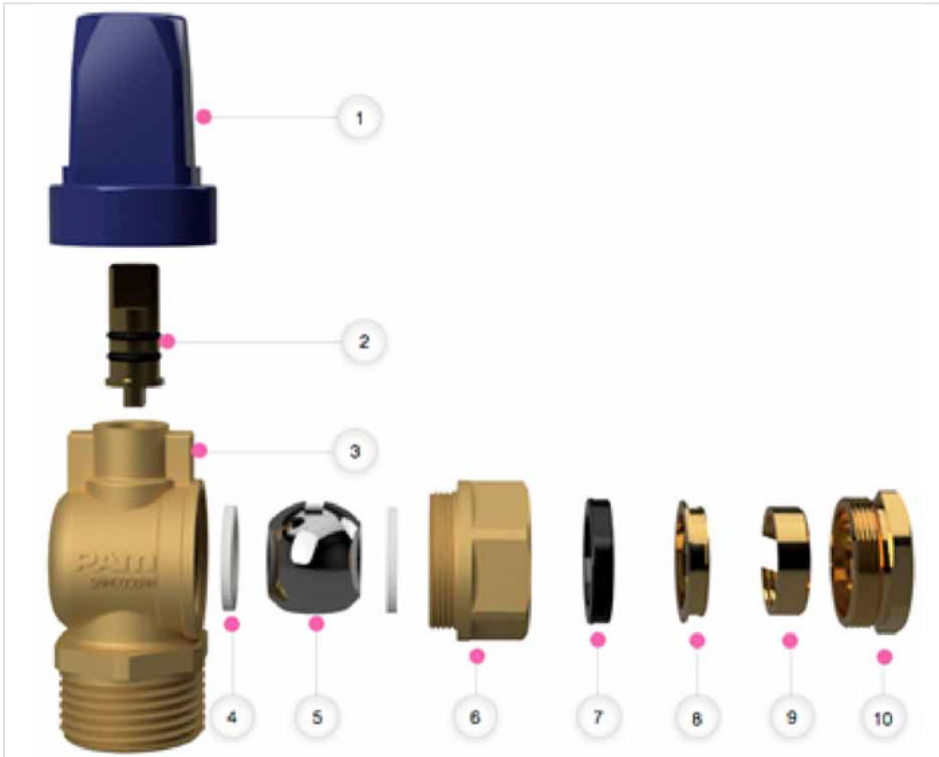


ACC = Blue cap - CC = Black cap

DN	DN/OD	Closing direction	Threaded	B (mm)	C (mm)	H (mm)	L (mm)	L1 (mm)	N (mm)	Mass (kg)	References
20	25	Anti-Clockwise	M40	36	M36 X 1.5	138	71	28	22	0.96	RPFV20APDS
20	25	Clockwise	M40	36	M36 X 1.5	138	71	28	22	0.96	RPFV20SPDS
25	32	Anti-Clockwise	M40	47	M45 X 1.5	141	79	28	22	1.08	RPFV25APDS
25	32	Clockwise	M40	47	M45 X 1.5	141	79	28	22	1.08	RPFV25SPDS
32	40	Anti-Clockwise	M55	57	M55 X 2.3	163	98.5	62	25	1.90	RPFV32AGDS
32	40	Clockwise	M55	57	M55 X 2.3	163	98.5	62	25	1.90	RPFV32SGDS
40	50	Anti-Clockwise	M55	66	M64 X 2.3	174	114.5	67	25	2.40	RPFV40AGDS
40	50	Clockwise	M55	66	M64 X 2.3	174	114.5	67	25	2.40	RPFV40SGDS



Material and coating



Item	Designation	Material	Coating
1	Operating cap	Ductile Cast Iron GS 400-15	Epoxy powder 60 microns mini (ACC: blue - CC: Black)
2	Stem	Brass	
3	Body	Brass	
4	Ring	PTFE	
5	Ball	Brass	Chrome Plated
6	Nut	Brass	
7	Gasket	Nitrile NBR	
8	Ring	Brass	
9	Split Ring	Brass	
10	Nut	Brass	

Packing

DN	Box	PCS/paperboard box	Pallet Case	PCS/pallet case
20	39 x 30 x 20 cm	24 pcs	103 x 94 x 100 cm	1728 pcs
25	39 x 30 x 20 cm	20 pcs	103 x 94 x 100 cm	1440 pcs
32	39 x 30 x 20 cm	10 pcs	103 x 94 x 100 cm	720 pcs
40	39 x 30 x 20 cm	12 pcs	103 x 94 x 100 cm	864 pcs

The information on this sketch is, to the best of our knowledge correct at the time of printing. However Saint-Gobain are constantly looking at ways of improving their products and services therefore reserve the right to change without prior notice, any of the data shown. Any orders placed will be subject to our Standard Conditions of Sale, available on request.