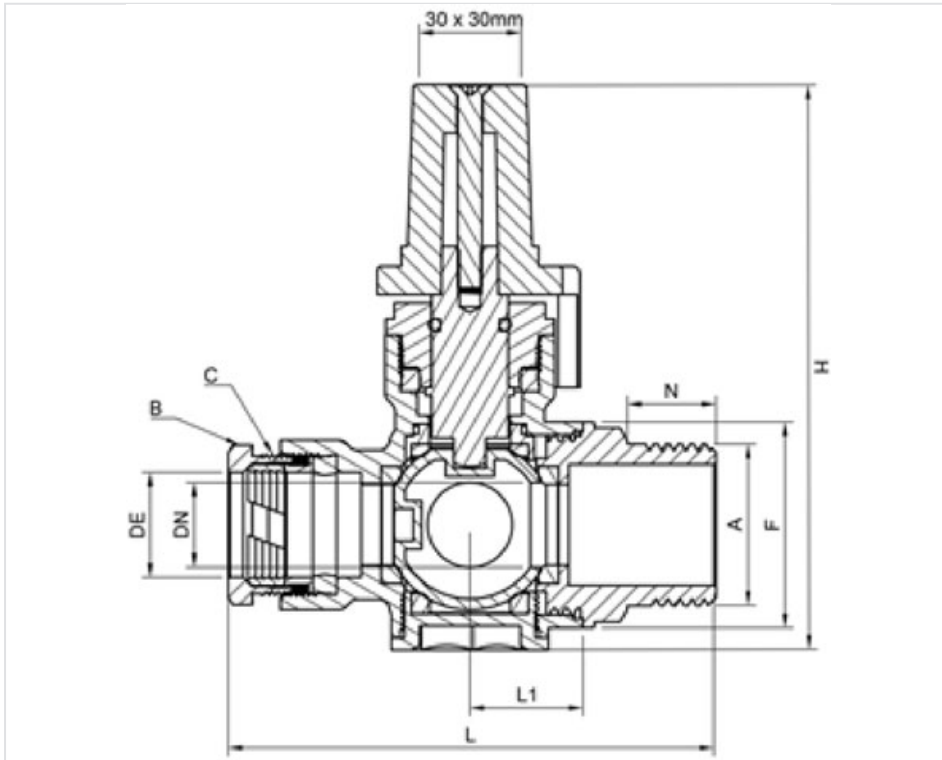


Brass Ferrule NEXUS-Universal

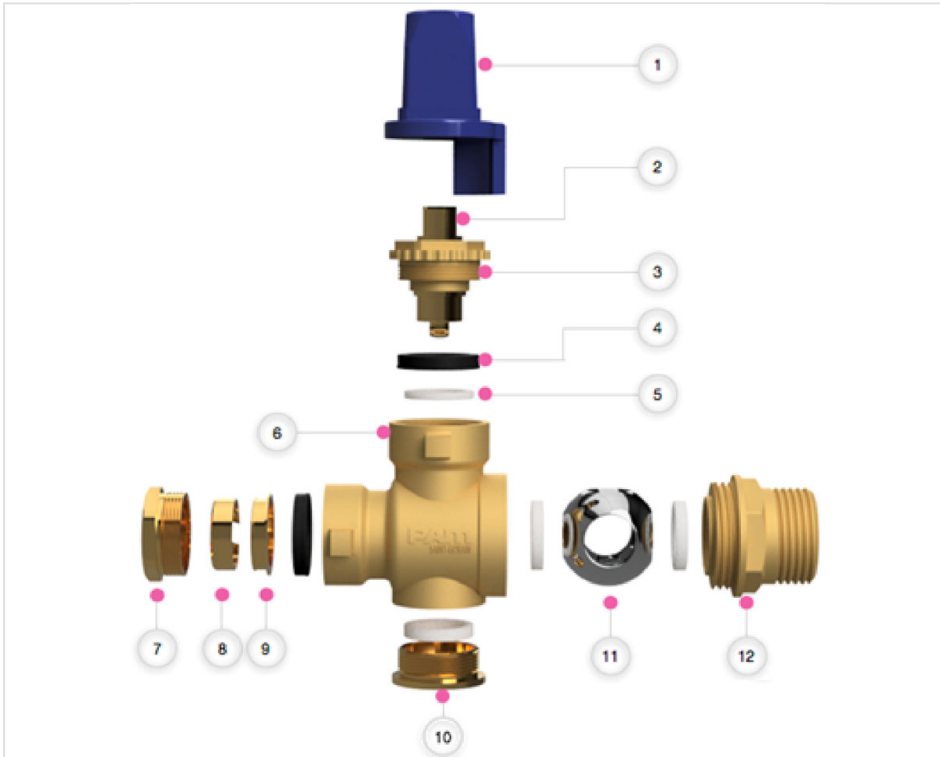


ACC = Blue cap - CC = Black cap

DN	DN/OD	Closing direction	Threaded	B (mm)	C	F (mm)	H (mm)	L (mm)	L1 (mm)	N (mm)	Mass (kg)	References
20	25	Anti-Clockwise	M40	36	M36 X 1.5	51	140	121	28	22	1.46	RMU320APUN
20	25	Clockwise	M40	36	M36 X 1.5	51	140	121	28	22	1.46	RMU320SPUN
25	32	Anti-Clockwise	M40	47	M45 X 1.5	57	149	133.5	30	22	1.90	RMU325APUN
25	32	Clockwise	M40	47	M45 X 1.5	57	149	133.5	30	22	1.90	RMU325SPUN
32	40	Anti-Clockwise	M55	57	M55 X 2.3	68	169	157.5	36	25	2.86	RMU332AGUN
32	40	Clockwise	M55	57	M55 X 2.3	68	169	157.5	36	25	2.86	RMU332SGUN
40	50	Anti-Clockwise	M55	66	M64 X 2.3	84	189	175.5	42	25	4.24	RMU340AGUN
40	50	Clockwise	M55	66	M64 X 2.3	84	189	175.5	42	25	4.24	RMU340SGUN



Material and coating



Item	Designation	Material	Coating
1	Operating cap	Ductile cast iron GS 400-15 99	Epoxy powder 60 microns mini (ACC: blue - CC: black)
2	Stem	Brass	
3	Ring	Brass	
4	Gasket	Nitrile NBR	
5	Ferrule	PTFE	
6	Body	Brass	
7	Nut	Brass	
8	Split ring	Brass	
9	Ring	Brass	
10	Back Plug	Brass	
11	Ball	Brass	Chrome plated
12	Nut	Brass	

Packing

DN	Box	PCS/paperboard box	Pallet Case	PCS/pallet case
20	33 x 23 x 15 cm	16 pcs	103 x 94 x 100 cm	1152 pcs
25	33 x 23 x 15 cm	12 pcs	103 x 94 x 100 cm	864 pcs
32	39 x 30 x 20 cm	5 pcs	103 x 94 x 100 cm	360 pcs
40	39 x 30 x 20 cm	5 pcs	103 x 94 x 100 cm	360 pcs

The information on this sketch is, to the best of our knowledge correct at the time of printing. However Saint-Gobain are constantly looking at ways of improving their products and services therefore reserve the right to change without prior notice, any of the data shown. Any orders placed will be subject to our Standard Conditions of Sale, available on request.