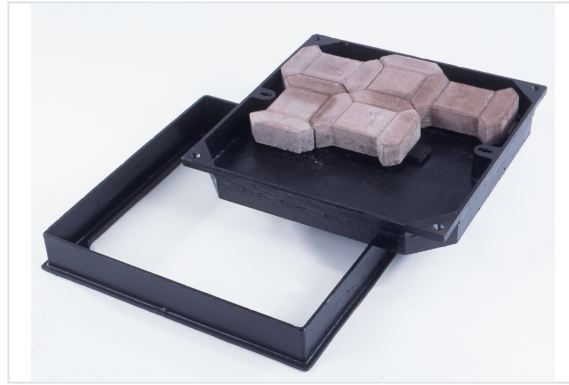
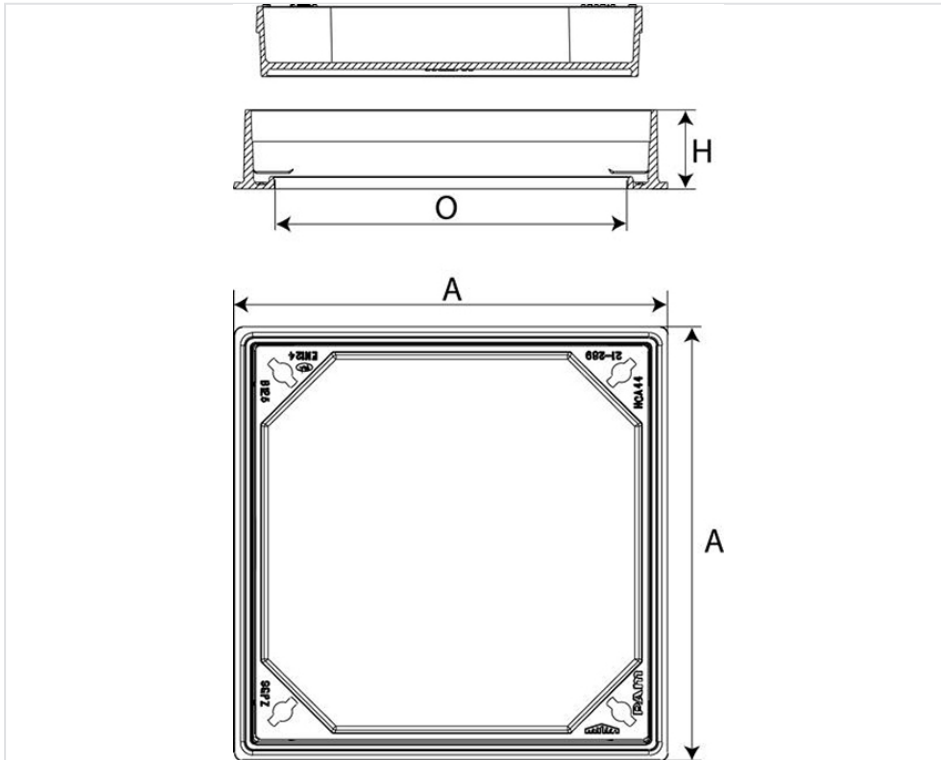


**BRIPAVE DI B125 450X450X100MM single piece cover and frame single seal
recessed KITE marked**



AxA (mm)	OxO (mm)	H (mm)	Total Mass (kg)	Cover mass (kg)	Packaging	References
558x558	450x450	100	48.90	26.5	5	CBHY56QK
711x711	605x605	100	70.00	38	5	CBHY71QK



Material and coating:

- Frame and cover in Ductile Iron EN GJS 500-7: bituminous coating on water base.

Field of application:

- B125 class (Group 2) according to standard EN124-2, footways, pedestrian areas and comparable areas, car parks and car parking decks.

Main characteristics:

- Tee handled lifting key reference C51 to be ordered separately.

The information on this sketch is, to the best of our knowledge correct at the time of printing. However Saint-Gobain are constantly looking at ways of improving their products and services therefore reserve the right to change without prior notice, any of the data shown. Any orders placed will be subject to our Standard Conditions of Sale, available on request.