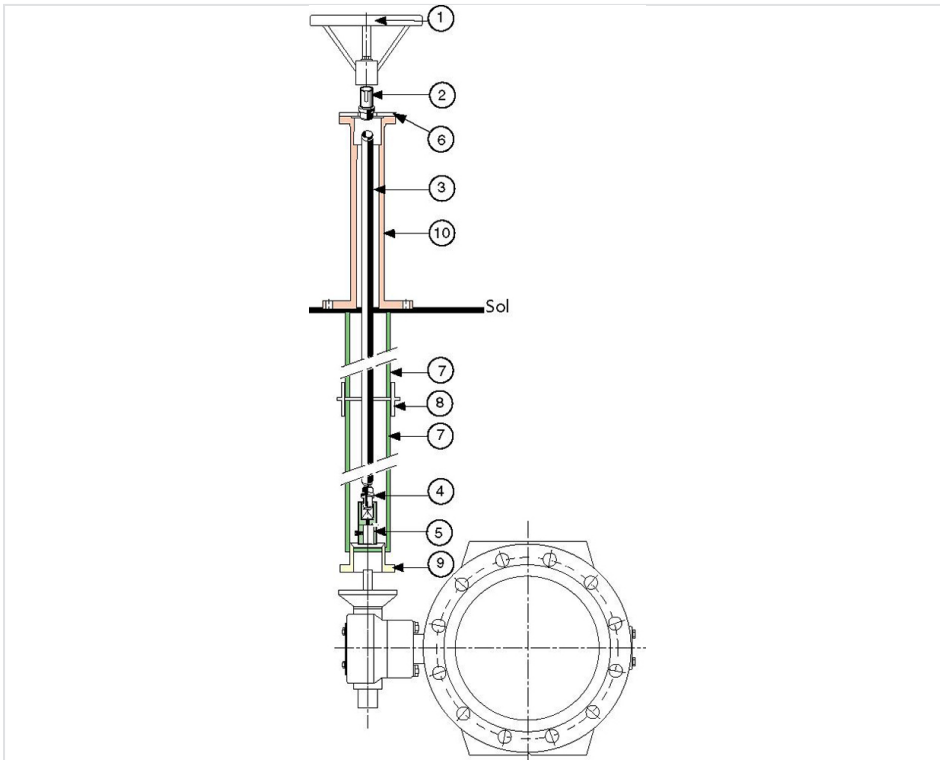


Butterfly valves motorizable - Operating with handwheel

Description	Mass (kg)	References
ADAPTOR CYLINDRICAL DIAMETER 20MM FOR EXTENSION GALVANISED STEEL TUBE DIAM 33X42MM	0.39	162165
ADAPTOR CYLINDRICAL DIAMETER 30MM FOR EXTENSION GALVANISED STEEL TUBE DIAM 50X6MM	1.07	162166
ADAPTOR SQUARE 28.4X28.4MM FOR EXTENSION GALVANISED STEEL TUBE DIAM 33X42MM	0.98	162077
ADAPTOR SQUARE 28.4X28.4MM FOR EXTENSION GALVANISED STEEL TUBE DIAM 50X60MM	0.98	163358
EXTENSION SPINDLE DIAMETER 33X42MM LENGTH 1500MM GALVANIZED STEEL	4.60	162193
EXTENSION SPINDLE DIAMETER 33X42MM LENGTH 3000MM GALVANIZED STEEL	9.30	162088
EXTENSION SPINDLE DIAMETER 33X42MM LENGTH 4500MM GALVANIZED STEEL	14.00	162231
EXTENSION SPINDLE DIAMETER 33X42MM LENGTH 6000MM GALVANIZED STEEL	18.60	162090
EXTENSION SPINDLE DIAMETER 50X6MM LENGTH 1500MM GALVANIZED STEEL	10.20	162194
EXTENSION SPINDLE DIAMETER 50X6MM LENGTH 3000MM GALVANIZED STEEL	20.40	162229
EXTENSION SPINDLE DIAMETER 50X6MM LENGTH 4500MM GALVANIZED STEEL	30.60	162232
EXTENSION SPINDLE DIAMETER 50X6MM LENGTH 6000MM GALVANIZED STEEL	40.80	162140
HEADSTOCK FOR ELECTRICAL ACTUATOR H=600mm Ø20 F10 + KIT OF FIXING : BOLTS HM16X75 ZINC AND SCREW HM 10X30 A2	17.00	162156
HEADSTOCK FOR ELECTRICAL ACTUATOR H=600mm Ø30 F14 + KIT OF FIXING : BOLTS HM16X75 ZINC AND SCREW HM 16X40 A2	28.00	162157
OPERATING COUPLING FOR HEADSTOCK SQUARE 28X28 WITH SPLIN PIN AND SPLIT PIN	0.81	RAA28GP
PLATE PROTECTION WITH FIXED BOLTS FOR HEADSTOCK FLANGE F10 WITH SCREW CHC HM 10X35 + NUTS HM10 ZINC	1.25	162295
PLATE PROTECTION WITH FIXED BOLTS FOR HEADSTOCK FLANGE F14 WITH SCREW CHC HM 16X40 + NUTS HM16 ZINC	1.25	184276

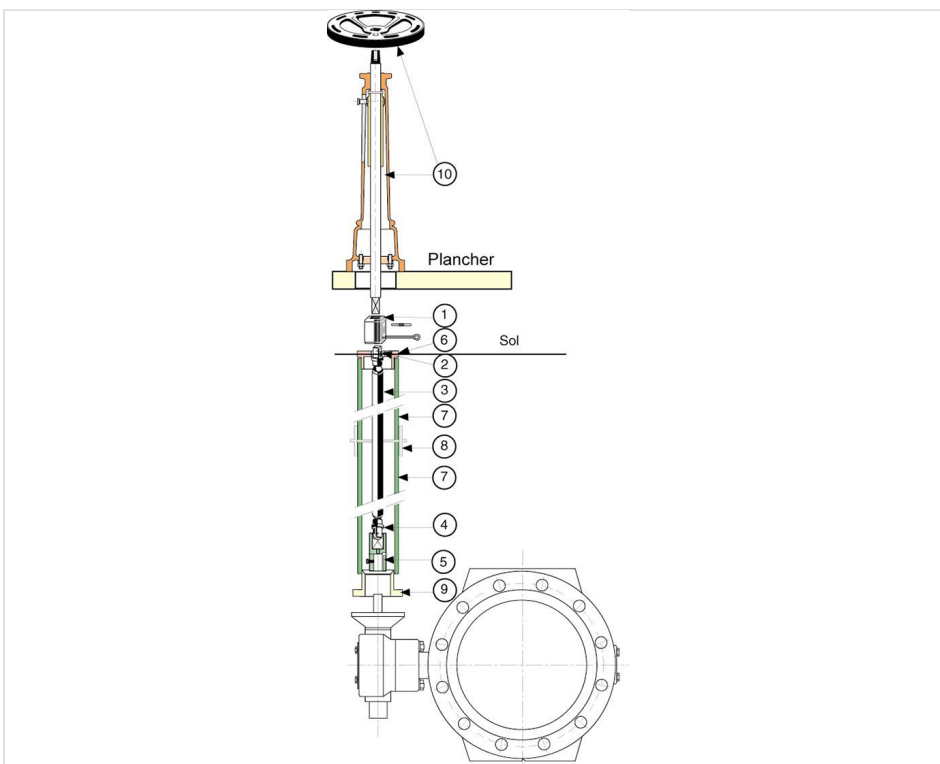
Mounting on headstock without indicator - Extension tube 3 to 6 m 33/42 (Ø20) or 50/60 (Ø30)



Item	Description	Number	References
1	Handwheel (delivered with headstock) - See VIGBVXXVAC625	1	VIGBVXXVAC625
2	Adaptor to be welded (cylindrical keyed) - Ø 20	1	162165
2	Adaptor to be welded (cylindrical keyed) - Ø 30	1	162166
3	Extension tube length 3 m - Ø 20 (33/42)	1	162088
3	Extension tube length 3 m - Ø 30 (50/60)	1	162229
3	Extension tube length 4,5 m - Ø 20 (33/42)	1	162231
3	Extension tube length 4,5 m - Ø 30 (50/60)	1	162232
3	Extension tube length 6 m - Ø 20 (33/42)	1	162090
3	Extension tube length 6 m - Ø 30 (50/60)	1	162140
4	Adaptor to be welded square 28 - Ø 20 (33/42)	1	162077
4	Adaptor to be welded square 28 - Ø 30 (50/60)	1	163358
5	Operating coupling keyed Ø20 or Ø30 - See VIGBVXXVAC600	1	VIGBVXXVAC600
6	Plate protection with fixed bolts for headstock - Ø 20 (F10)	1	162295

Item	Description	Number	References
6	Plate protection with fixed bolts for headstock - Ø 30 (F14)	1	184276
7	Headstock without indicator - H = 600 mm - Ø 20 (F10)	1	162156
7	Headstock without indicator- H = 600 mm - Ø 30 (F14)	1	162157

Mounting on headstock with indicator - Extension tube 1,5 to 6 m 33/42 (Ø20) or 50/60 (Ø30)



Item	Description	Number	References
1	Operating coupling square	1	RAA28GP
2	Adaptor to be welded square 28 - Ø 20 (33/42)	1	162077
2	Adaptor to be welded square 28 - Ø 30 (50/60)	1	163358
3	Extension tube length 1,5 m - Ø 20 (33/42)	1	162193
3	Extension tube length 1,5 m - Ø 30 (50/60)	1	162194
3	Extension tube length 3 m - Ø 20 (33/42)	1	162088
3	Extension tube length 3 m - Ø 30 (50/60)	1	162229
3	Extension tube length 4,5 m - Ø 20 (33/42)	1	162231
3	Extension tube length 4,5 m - Ø 30 (50/60)	1	162232

Item	Description	Number	References
3	Extension tube length 6 m - Ø 20 (33/42)	1	162090
3	Extension tube length 6 m - Ø 30 (50/60)	1	162140
4	Adaptor to be welded square 28 - Ø 20 (33/42)	1	162077
4	Adaptor to be welded square 28 - Ø 30 (50/60)	1	163358
5	Operating coupling keyed Ø20 or Ø30 - See VIGBVXXVAC600	1	VIGBVXXVAC600
6	Headstock with indicator delivered with handwheel - H = 800 mm - See VIGBVXXVAC725	1	VIGBVXXVAC725

The information on this sketch is, to the best of our knowledge correct at the time of printing. However Saint-Gobain are constantly looking at ways of improving their products and services therefore reserve the right to change without prior notice, any of the data shown. Any orders placed will be subject to our Standard Conditions of Sale, available on request.