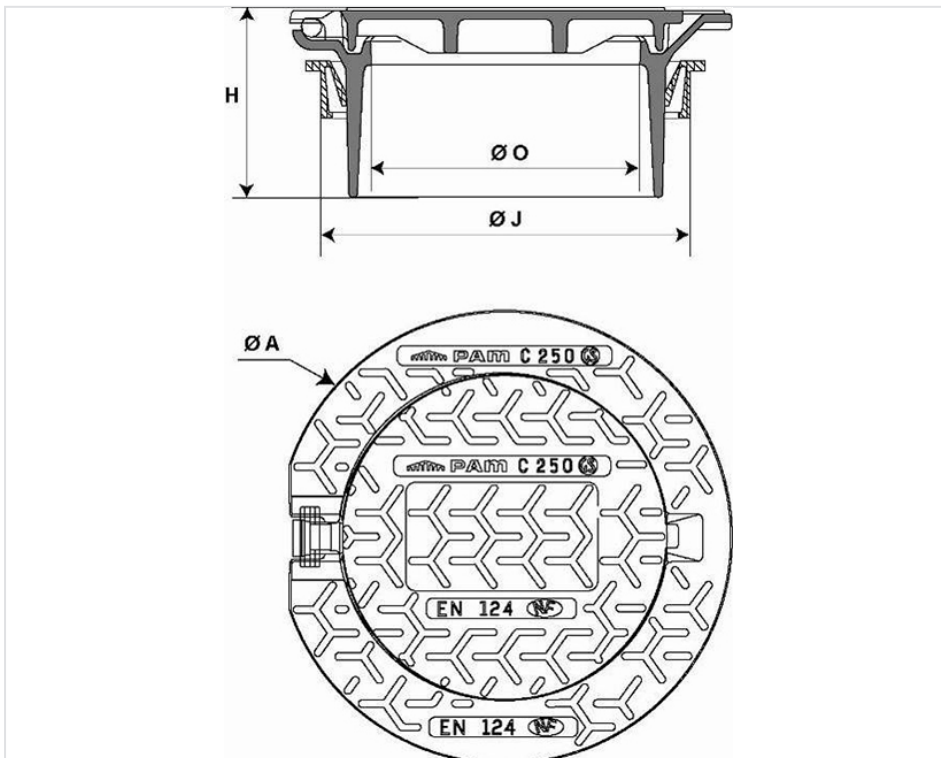


**Height adjustable inspection hydraulic cover with hinge C250 class - Round frame for iron extension DN300 - NBR joint**



A (mm)	O (mm)	H (mm)	ØJ (mm)	Total Mass (kg)	Cover mass (kg)	Packaging	References
380	225	154	308	18.30	6	15	CCBR30SFX28



### Material and coating:

- Frame and cover in Ductile Iron EN GJS 400-15: water base coating
- [Ring in NBR](#)

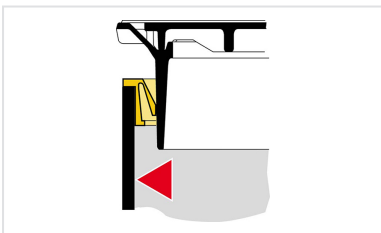
### Field of application:

- C250 class (Group 3) according to standard EN 124-2, intended for the circulated pavements and similar locations subjected to the passage of vehicles.

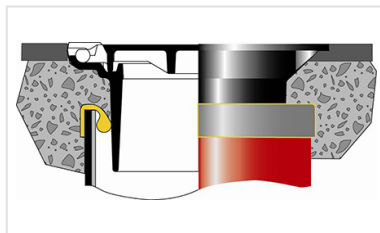
### Main characteristics:

- Hinged square cover, anti-theft after installation.
- Watertight specific ring with the grounds enabling a height adjustment.
- [Implementation](#)

### Linked products



Height adjustable  
inspection hydraulic  
manhole covers - C250  
class - Seal in lands NBR



Height adjustable  
inspection hydraulic  
manhole cover C250 class -  
Implementation of a  
manhole cover on an  
extension

*The information on this sketch is, to the best of our knowledge correct at the time of printing. However Saint-Gobain are constantly looking at ways of improving their products and services therefore reserve the right to change without prior notice, any of the data shown. Any orders placed will be subject to our Standard Conditions of Sale, available on request.*