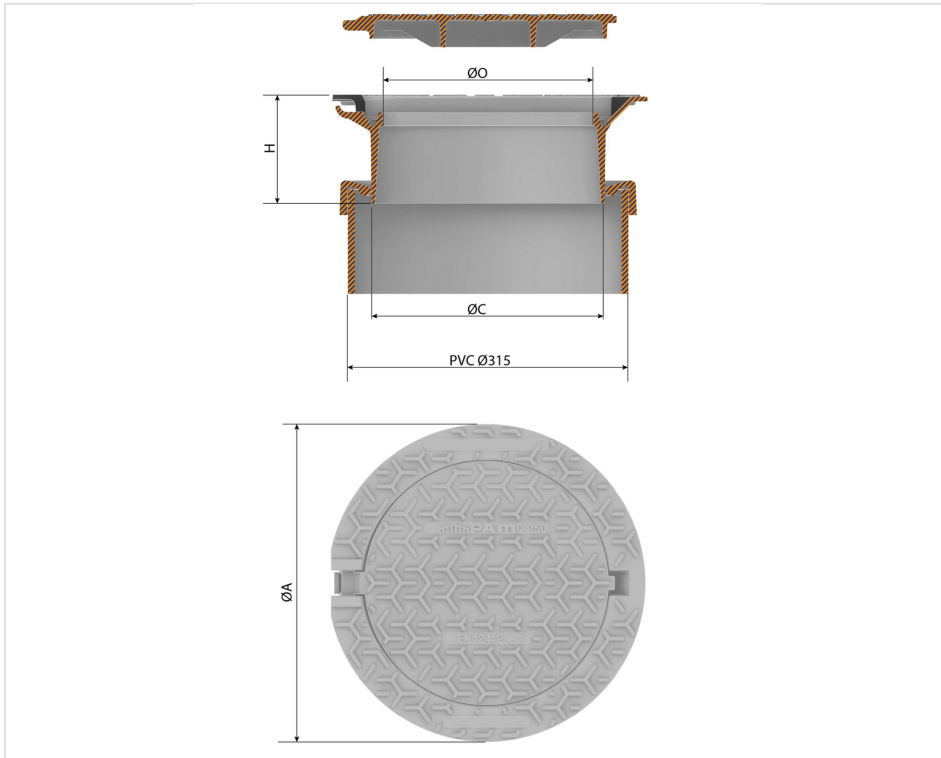


Height adjustable inspection hydraulic cover with hinge C250 class - Round frame for PVC extension DN315 - NBR joint



A (mm)	C (mm)	O (mm)	H (mm)	Total Mass (kg)	Cover mass (kg)	Packaging	References
380	262	225	154	18.30	6	15	CCBR30SFX29



Material and coating:

- Frame and cover in Ductile Iron EN GJS 400-15: water base coating
- [Ring in NBR](#)

Field of application:

- C250 class (Group 3) according to standard EN 124-2, intended for the circulated pavements and similar locations subjected to the passage of vehicles.

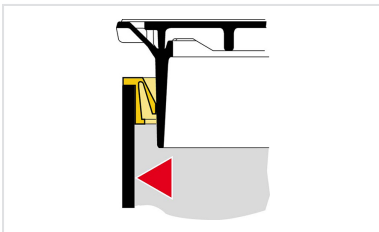
Origine France Garantie

- This product is made in France in our foundry in Blénod-les-Pont-A-Mousson (54), and is certified Origine France Garantie. This guarantees consumers that the product is made in France in accordance with specifications available on originefrancegarantie.fr. The certification number is: BVCert 6026906.
- *"Origine France Garantie certification is awarded by an independent certification body. Checks are then carried out every year to ensure that the product is indeed 100% made in France and that at least 50% of the product's manufacturing costs (including raw materials) are of French origin".*

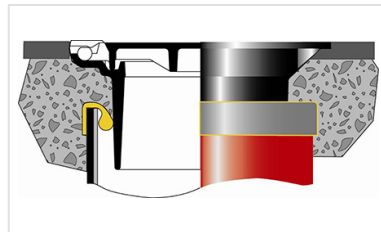
Main characteristics:

- Hinged round cover, anti-theft after installation
- Specific earth seal for height adjustment
- Anti-odour hydraulic seal
- Gasket assembling on all PVC pipes PVC Ø315, whatever CR used
- The cast-iron manhole is held in a raised position to facilitate bedding operations

Linked products



Height adjustable
inspection hydraulic
manhole covers - C250
class - Seal in lands NBR



Height adjustable
inspection hydraulic
manhole cover C250 class -
Implementation of a
manhole cover on an
extension

The information on this sketch is, to the best of our knowledge correct at the time of printing. However Saint-Gobain are constantly looking at ways of improving their products and services therefore reserve the right to change without prior notice, any of the data shown. Any orders placed will be subject to our Standard Conditions of Sale, available on request.