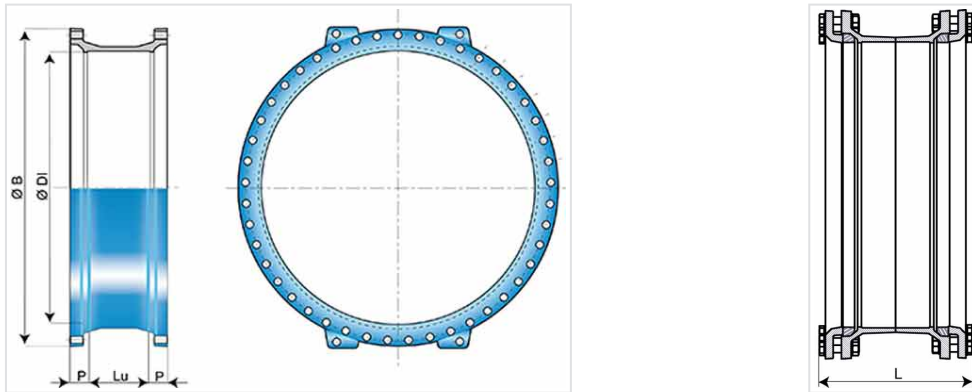


Collar (PECB) with 2 sockets EXPRESS



DN (mm)	L (mm)	Lu (mm)	P (mm)	ØDI (mm)	ØB (mm)	Mass (kg)	References
1400	787	340	110	1470.9	1800	1598.00	224481
1500	802	322	119	1574	1900	2040.60	244342
1600	867	360	120	1674.4	1965	2126.00	225008
1800	864	368	136	1885.1	2240	2755.00	225009
2000	970	388	146	2092.8	2441	2810.00	237393

Field of use:

- For drinking water and irrigation networks
- For aggressive soils (maritime soils, peaty, ...)

Main characteristics:

- External and internal coating : Blue epoxy powder 250 microns average thickness with a minimum of 200 microns, conforming to EN 14901-1 (PECB)
- In conformity with EN 545:2010 and ISO 2531:2009
- PFA 25
- Sliding collar
- Available only in non-anchored version, assembly with the EXPRESS non-anchored mechanical gasket

The reference DN1400 includes 1 collar plus :

- 2 GLANDS DN1400 PZN+VBI 100µm
- 60 BOLTS M39x180 GALVANISED STEEL (70µm)
- 120 WASHERS M39 GALVANISED STEEL (70µm)
- 2 EPDM GASKETS DN1400 for water
- MECHANICAL LUBRICATING PASTE BOX for bolts

The reference DN1500 includes 1 collar plus :

- 2 GLANDS DN1500 PZN+VBI 100µm
- 86 BOLTS M39X220/90 GALVANISED STEEL (70µm)
- 172 WASHERS M39 GALVANISED STEEL (70µm)
- 2 EPDM GASKETS DN1500 for water
- MECHANICAL LUBRICATING PASTE BOX for bolts

The reference DN1600 includes 1 collar plus :

- 2 GLANDS DN1600 PZN+VBI 100µm
- 90 BOLTS M39X220 GALVANISED STEEL (70µm)
- 180 WASHERS M39 GALVANISED STEEL (70µm)
- 2 EPDM GASKETS DN1600 for water
- MECHANICAL LUBRICATING PASTE BOX for bolts

The reference DN1800 includes 1 collar plus :

- 2 GLANDS DN1800 PZN+VBI 100µm
- 80 BOLTS M39X220 GALVANISED STEEL (70µm)
- 160 WASHERS M39 GALVANISED STEEL (70µm)
- 2 EPDM GASKETS DN1800 for water
- MECHANICAL LUBRICATING PASTE BOX for bolts

The reference DN2000 includes 1 collar plus :

- 2 GLANDS DN2000 PZN+VBI 100µm
- 84 BOLTS M39X220 GALVANISED STEEL (70µm)
- 168 WASHERS M39 GALVANISED STEEL (70µm)
- 2 EPDM GASKETS DN2000 for water
- MECHANICAL LUBRICATING PASTE BOX for bolts

The information on this sketch is, to the best of our knowledge correct at the time of printing. However Saint-Gobain are constantly looking at ways of improving their products and services therefore reserve the right to change without prior notice, any of the data shown. Any orders placed will be subject to our Standard Conditions of Sale, available on request.