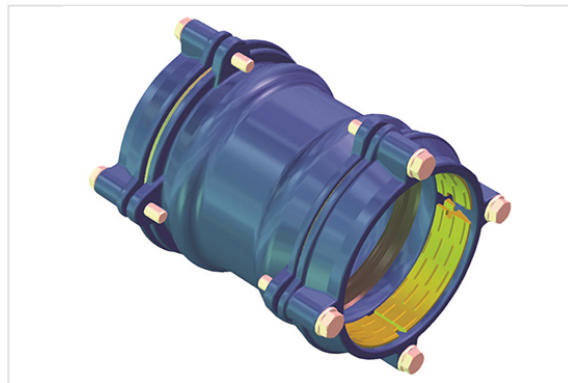
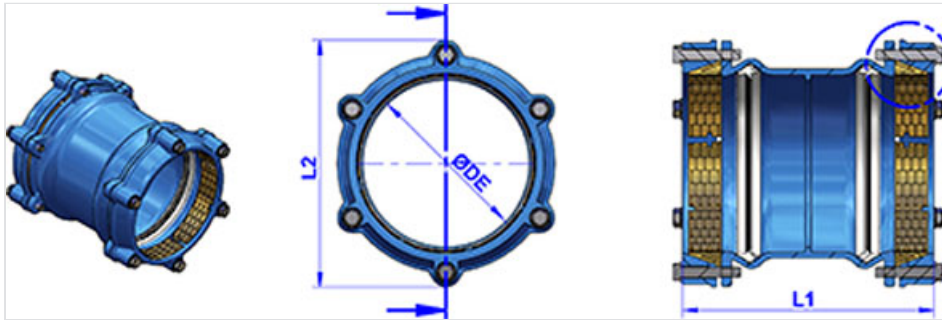


## Coupling LINK mechanical anchored for PE/PVC-U



Coupling for PE/PVC-U from DE63/OD63 to DE315/OD315. Mechanical anchoring is made with a ring and tightening of bolts. The coupling for PE/PVC-U can be installed in the PE/PVC-U networks with a PFA of 16 bar. The components in contact with water are approved ACS in accordance with the decree of the French Department of Health of May 1997.

DN/OD (mm)	ØDE (mm)	PFA	L (mm)	ØE (mm)	Mass (kg)	References
63	63	16 bar	191	133	3.54	MCL63UBAH
75	75	16 bar	191	146	4.64	MCL75UBAH
90	90	16 bar	201	161	5.86	MCL90UBAH
110	110	16 bar	205	181	6.70	MCM11UBAH
125	125	16 bar	211	196	7.92	MCM12UBAH
140	140	16 bar	211	212	8.88	MCM14UBAH
160	160	16 bar	232	235	10.72	MCM16UBAH
180	180	16 bar	232	255	12.70	MCM18UBAH
200	200	16 bar	290	284	19.94	MCM20UBAH
250	250	16 bar	320	335	25.54	MCM25UBAH
315	315	10 bar	360	400	33.00	MCM28UBAH



## Field of use

Coupling for plastic pipes:

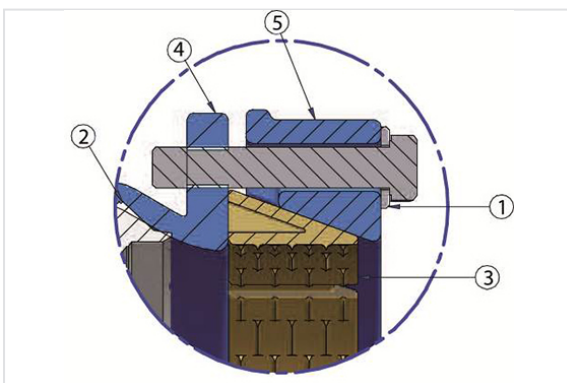
- Polyethylene: PE80 PN16 and PN12,5
- Polyethylene: PE100 PN16 and PN10
- Rigid polyvinyl chloride: PVC-U PN16 and PN10

Available for adduction and water supply networks.

## Added values

- Easy installation:
  - Important length of fitment (L).
  - Pre-assembly in the network is possible thanks to the flange and counterflange.
  - Final block stop to ensure the position of the pipe
- Separation of the sealing function (gasket in elastomer) and the anchoring function (metallic ring)
- Mechanical locking by screws to avoid any axial displacement of the plastic tube

## Material and coatings



Item	Designation	Material	Coatings
1	Bolts, nuts and washers	Steel Class 6.8	Bichromated
2	Gasket	EPDM	
3	Grip ring	S 355 JR (F-114)	Bichromated
4	Flange adapter	Ductile iron EN JGS 500-7	Epoxy 150 microns *
5	Counterflange	Ductile iron EN JGS 500-7	Epoxy 150 microns *

\* average thickness with 120 microns mini

## Conformity to Standard and alimentarity

Hydraulic sealing tests and mechanical resistance tests are according to EN 12842.

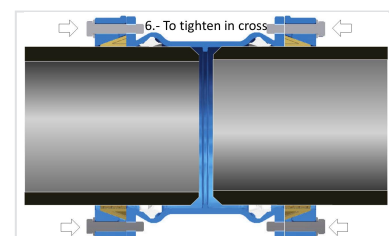
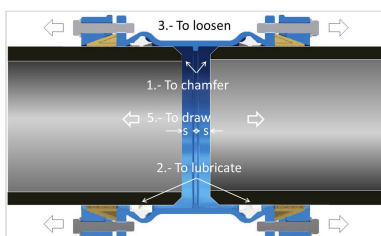
All the components in permanent contact with water are in conformity with the decree of May 29th, 1997.

## Marking



- DE / OD identification label
- Name of the product: Coupling LINK for PE mechanical anchored
- Marketing : PAM + the logo of Saint-Gobain
- Tightening torque in Nm per diameter

## Laying instructions



- To chamfer the spigot of the plastic tube (see below drawing).
- To lubricate the tightness seal with SG Pam lubricant paste.

- To loosen the bolts (not completely, only few turns) to enable the passage of the plastic pipe through the locking ring.
- To introduce the plastic pipe to be in contact with the final block stop.
- To make a mark on the spigot of the pipe and to draw the pipe of a distance  $S = 15-20$  mm. This space enables the displacement of the plastic pipe during tightening.
- To tighten the bolts in cross until to obtain a contact metal-metal. Please refer to below tightening torques indicated in the table and on the label stuck in the body of the flange adapter.

Angular deflection:  $0^\circ$  with PE flexible tube.

### Tightening torque

DN/OD	Nm
DN50/OD63 - DN200/OD200	40
DN225/OD225 - DN300/OD315	65
DN400/OD400	155

*The information on this sketch is, to the best of our knowledge correct at the time of printing. However Saint-Gobain are constantly looking at ways of improving their products and services therefore reserve the right to change without prior notice, any of the data shown. Any orders placed will be subject to our Standard Conditions of Sale, available on request.*