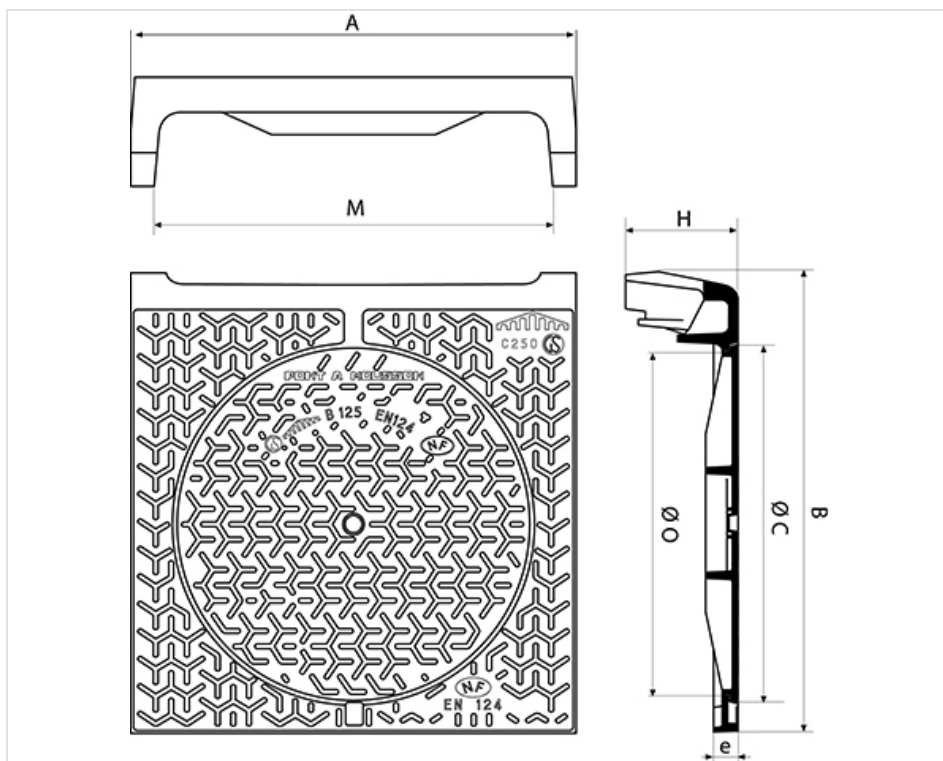


Cover plate Profile T (1) - C250/B125 class



AxB (mm)	C (mm)	O (mm)	H (mm)	M (mm)	e (mm)	Cover mass (kg)	Total mass (kg)	Waterway area	Packaging	References
800x830	639	610	200	700	35	24.3	72.20	6.00 dm ²	10	ECRV80TF

Standardized kerbs according to standard NF P 98-340



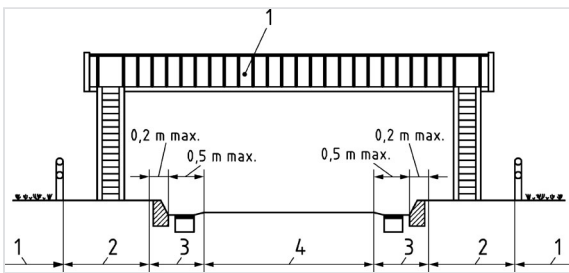
Material and coating:

- Frame and cover in Ductile Iron EN GJS 400-15: water base

Origine France Garantie

- This product is made in France in our foundry in Blénod-les-Pont-A-Mousson (54), and is certified Origine France Garantie. This guarantees consumers that the product is made in France in accordance with specifications available on originefrancegarantie.fr. The certification number is: BVCert 6026906.
- *"Origine France Garantie certification is awarded by an independent certification body. Checks are then carried out every year to ensure that the product is indeed 100% made in France and that at least 50% of the product's manufacturing costs (including raw materials) are of French origin".*

Field of application:



- Frame: C250 class (Group 3) according to standard EN 124-2, destined to the circulated pavements and similar locations exposed to the access of vehicles.
- Cover: B125 class (Group 2) according to standard EN124-2, footways, pedestrian areas and comparable areas, car parks and car parking decks.
- Channelled punctual collection.

Main characteristics:

- Enables an access to the implanted manholes under pavements or mixed installation.

The information on this sketch is, to the best of our knowledge correct at the time of printing. However Saint-Gobain are constantly looking at ways of improving their products and services therefore reserve the right to change without prior notice, any of the data shown. Any orders placed will be subject to our Standard Conditions of Sale, available on request.