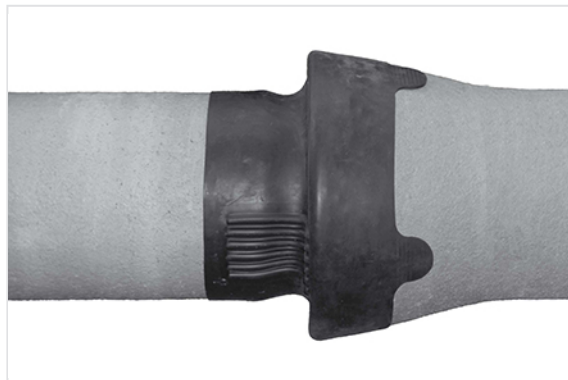


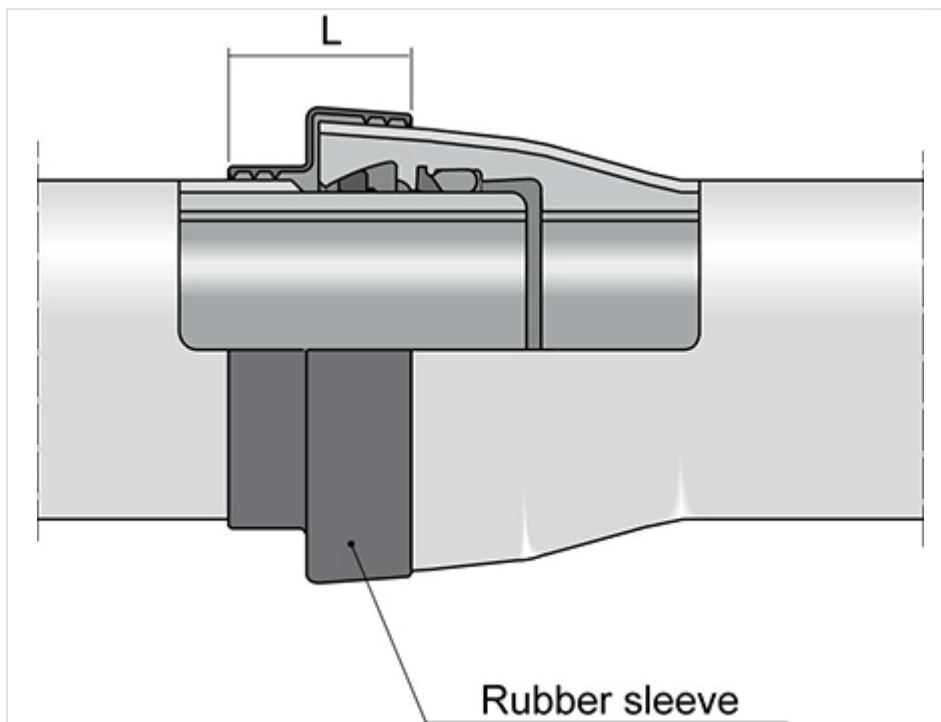
Elastomer Sleeve - Protection of joints of ZMU pipes DN100-1200



DN (mm)	Mass (kg)	References
100	0.20	110823
125	0.16	173263
150	0.27	110821
200	0.35	110822
250	0.45	110828
300	0.50	110834
350	0.54	110789
400	0.82	110750
500	1.16	110773
600	2.25	110776
700	1.21	110026

DN (mm)	Mass (kg)	References
800	2.59	257700
900	2.88	257722
1000	3.16	257723
1200	3.76	257725

Rubber sleeve



The information on this sketch is, to the best of our knowledge correct at the time of printing. However Saint-Gobain are constantly looking at ways of improving their products and services therefore reserve the right to change without prior notice, any of the data shown. Any orders placed will be subject to our Standard Conditions of Sale, available on request.