

Electric position indicator



SG Pam offers a range of electrical position indicators (EPI) for operating the range of EURO 20 NG gate valves DN40–300 Clockwise.

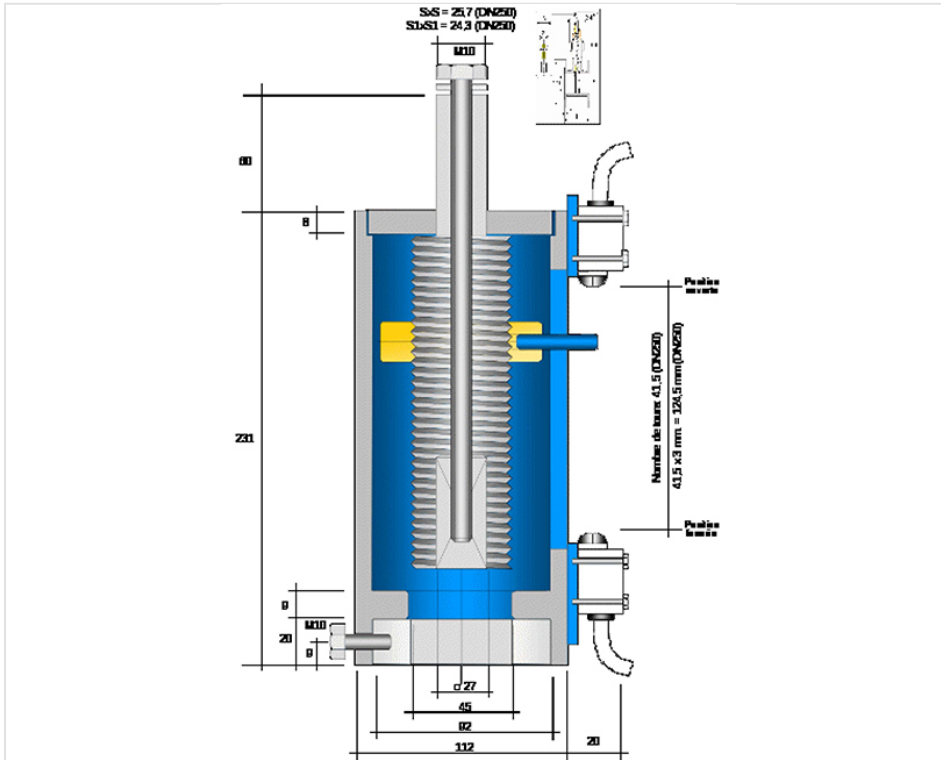
The EURO 20 with EPI is designed for circuits of untreated or potable water.

Two micro-switches electrically detect the open or closed position of the valve.

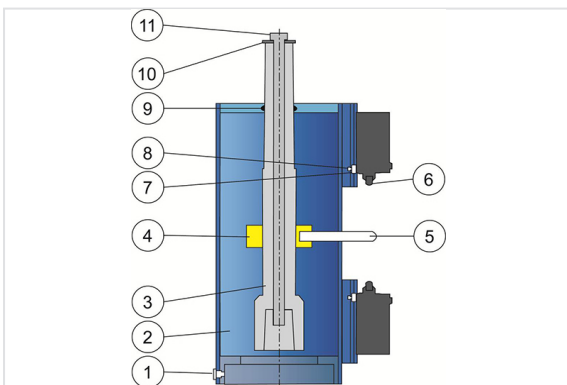
These two micro-switches are mounted on the stem and adjusted precisely and independently of one another.

The position indicator supplements only the clockwise close operating valves (CC).

| DN (mm) | Bush nut for E20 | S1 (mm) | Number of turns | Mass (kg) | References |
|-------------|------------------|---------|-----------------|-----------|------------|
| 40-50 | NG | 14 | 12.5 | 3.20 | 226810 |
| 65-80 | NG | 17 | 17 | 3.60 | 226821 |
| 100-125-150 | NG | 19 | 23-28-32 | 3.90 | 226822 |
| 200-250-300 | NG | 24.3 | 33-41.5-50 | 5.80 | 224981 |
| 400 | NG | 27.3 | 70 | 6.00 | 259258 |



Material and coating

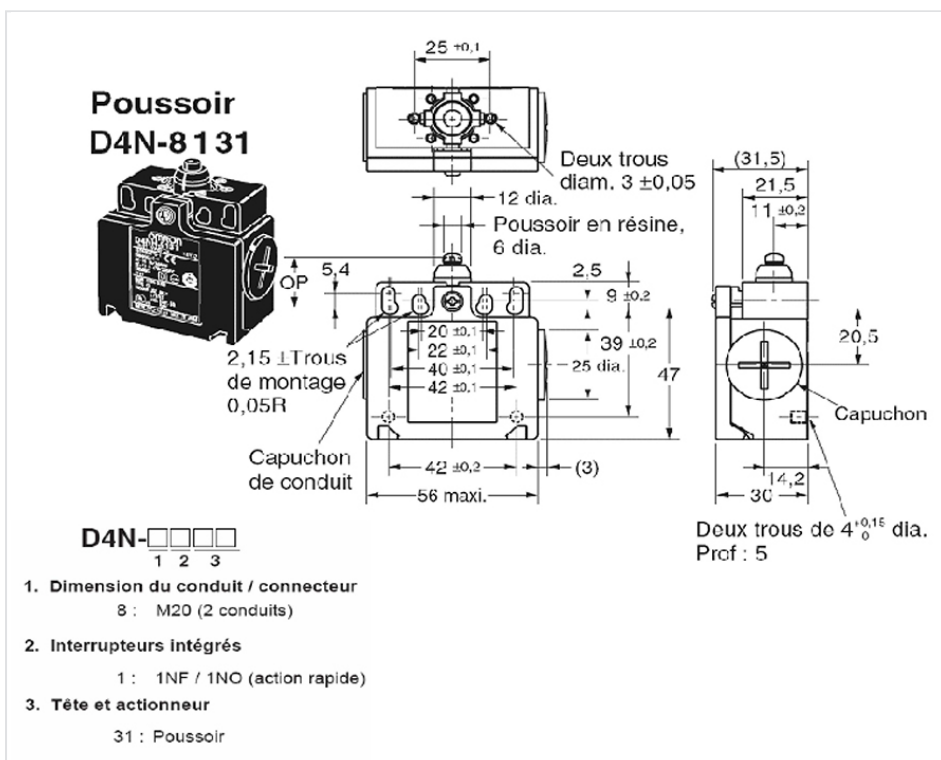


| Item | Designation | Material |
|------|-----------------------|---------------------|
| 1 | Fixing screw for body | Zinc steel 8.8 |
| 2 | Body | Stainless steel 304 |
| 3 | Operating stem | Stainless steel 304 |
| 4 | Operating nut | Bronze type B-14 |

| Item | Designation | Material |
|------|------------------------------|---------------------|
| 5 | Index-finger | Stainless steel 304 |
| 6 | Micro-switch | Plastic |
| 7 | Fixing screw of micro-switch | Zinc steel 8.8 |
| 8 | Nut of micro-switch | Zinc steel 8.8 |
| 9 | Guide ring | Teflon |
| 10 | Washer | Zinc steel 8.8 |
| 11 | Fixing screw | Zinc steel 8.8 |

Note: coating: blue epoxy RAL 5005.

Electrical data



Contacteur OMRON D4N type 8131

The information on this sketch is, to the best of our knowledge correct at the time of printing. However Saint-Gobain are constantly looking at ways of improving their products and services therefore reserve the right to change without prior notice, any of the data shown. Any orders placed will be subject to our Standard Conditions of Sale, available on request.