

EURO 20 NEW with flanges serie S14 short version PFA16 Standard



Gate Valve short version Serie S14 according to ISO:

- In compliance with norm NF EN1074-1 and 2 at 2500 cycles and to NF standards
- French Sanitary conformity (ACS)
- 250 microns blue epoxy powder
- Manufacturing at SG PAM Toul Plant (France)
- Unit hydraulic tests in compliance with NF EN12266-1
- Range in CC and ACC version

DN (mm)	Closing direction	Version	L (mm)	H1 (mm)	H (mm)	D (mm)	KxK1 (mm)	a (mm)	Number of turns	SxS (mm)	S1xS1 (mm)	PN 10		PN 16	
												Mass (kg)	References	Mass (kg)	References
40	Anti-Clockwise	Cap	140	227	324	150	117 x 135	19	16.5 +/- 1	15.2	14.3	8.80	RBA40BDCH	8.80	RBA40BDCH
50	Anti-Clockwise	Cap	150	222	326.5	165	117 x 135	19	16.5 +/- 1	15.2	14.3	10.20	RBA50BDCH	10.20	RBA50BDCH
65 multiperçage 60-65	Anti-Clockwise	Cap	170	264	373.5	185	105 x 138	19	17 +/- 1	18.5	17.3	12.70	RBA65BDLH	12.70	RBA65BDLH
65 percé 60	Anti-Clockwise	Cap	170	264	373.5	185	105 x 138	19	17 +/- 1	18.5	17.3	12.75	RBA60BDJH	12.75	RBA60BDJH
65 percé 65	Anti-Clockwise	Cap	170	264	373.5	185	105 x 138	19	17 +/- 1	18.5	17.3	12.75	RBA65BDAH	12.75	RBA65BDAH
80	Anti-Clockwise	Cap	180	288	405	200	162 x 143.5	19	21 +/- 1	18.5	17.3	14.30	RBA80UDBH	14.30	RBA80UDBH

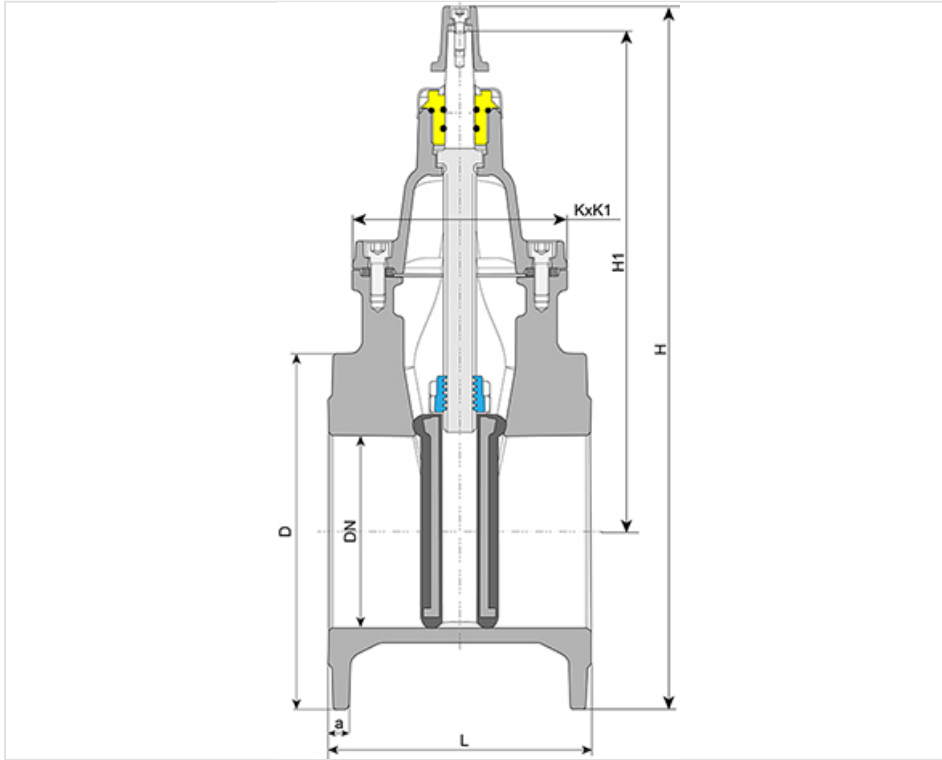
DN (mm)	Closing direction	Version	L (mm)	H1 (mm)	H (mm)	D (mm)	KxK1 (mm)	a (mm)	Number of turns	SxS (mm)	S1xS1 (mm)	PN 10		PN 16	
												Mass (kg)	References	Mass (kg)	References
100	Anti-Clockwise	Cap	190	316	448	220	188 x 139	19	23.5 +/- 1	20.6	19.3	19.00	RBB10BDBH	19.00	RBB10BDBH
125	Anti-Clockwise	Cap	200	358	501	250	225.5 x 161.5	19	28 +/- 1	20.6	19.3	24.30	RBB12UDCH	24.30	RBB12UDCH
150	Anti-Clockwise	Cap	210	401	563	285	256 x 172	19	33.5 +/- 1	20.6	19.3	32.35	RBB15BDCH	32.35	RBB15BDCH
200	Anti-Clockwise	Cap	230	508	728	340	350 x 216	20	36 +/- 1	25.7	24.3	48.00	RBB20BDBH	47.60	RBB20BDAH
250	Anti-Clockwise	Cap	250	620	875	400	415 x 235	20	44 +/- 1	28.1	24.3	82.00	RBB25BDBH	82.00	RBB25BDAH
300	Anti-Clockwise	Cap	270	751	1036	455	476 x 258	25	54 +/- 1	28.1	24.3	125.00	RBB30BDBH	125.00	RBB30BDAH

DN (mm)	Closing direction	Version	L (mm)	H1 (mm)	H (mm)	D (mm)	KxK1 (mm)	a (mm)	Number of turns	SxS (mm)	S1xS1 (mm)	PN 10		PN 16	
												Mass (kg)	References	Mass (kg)	References
40	Clockwise	Bare shaft	140	227	324	150	117 x 135	19	16.5 +/- 1	15.2	14.3	8.55	RBA40BBCH	8.55	RBA40BBCH
50	Clockwise	Bare shaft	150	222	326.5	165	117 x 135	19	16.5 +/- 1	15.2	14.3	10.20	RBA50BBCH	10.20	RBA50BBCH
65 multiperçage 60-65	Clockwise	Bare shaft	170	264	373.5	185	105 x 138	19	17 +/- 1	18.5	17.3	12.70	RBA65BBLH	12.70	RBA65BBLH
65 percé 65	Clockwise	Bare shaft	170	264	373.5	185	105 x 138	19	17 +/- 1	18.5	17.3	12.75	RBA65BNCH	12.75	RBA65BNCH
80	Clockwise	Bare shaft	180	288	405	200	162 x 143.5	19	21 +/- 1	18.5	17.3	14.30	RBA80BNCH	14.30	RBA80BNCH
100	Clockwise	Bare shaft	190	316	448	220	188 x 139	19	23.5 +/- 1	20.6	19.3	19.00	RBB10BNCH	19.00	RBB10BNCH
125	Clockwise	Bare shaft	200	358	501	250	225.5 x 161.5	19	28 +/- 1	20.6	19.3	24.30	RBB12BNCH	24.30	RBB12BNCH
150	Clockwise	Bare shaft	210	401	563	285	256 x 172	19	33.5 +/- 1	20.6	19.3	32.35	RBB15BBCH	32.35	RBB15BBCH
200	Clockwise	Bare shaft	230	508	728	340	350 x 216	20	36 +/- 1	25.7	24.3	55.00	RBB20BBBH	54.70	RBB20BBAH
250	Clockwise	Bare shaft	250	620	875	400	415 x 235	20	44 +/- 1	28.1	24.3	82.00	RBB25BBBH	82.00	RBB25BBAH

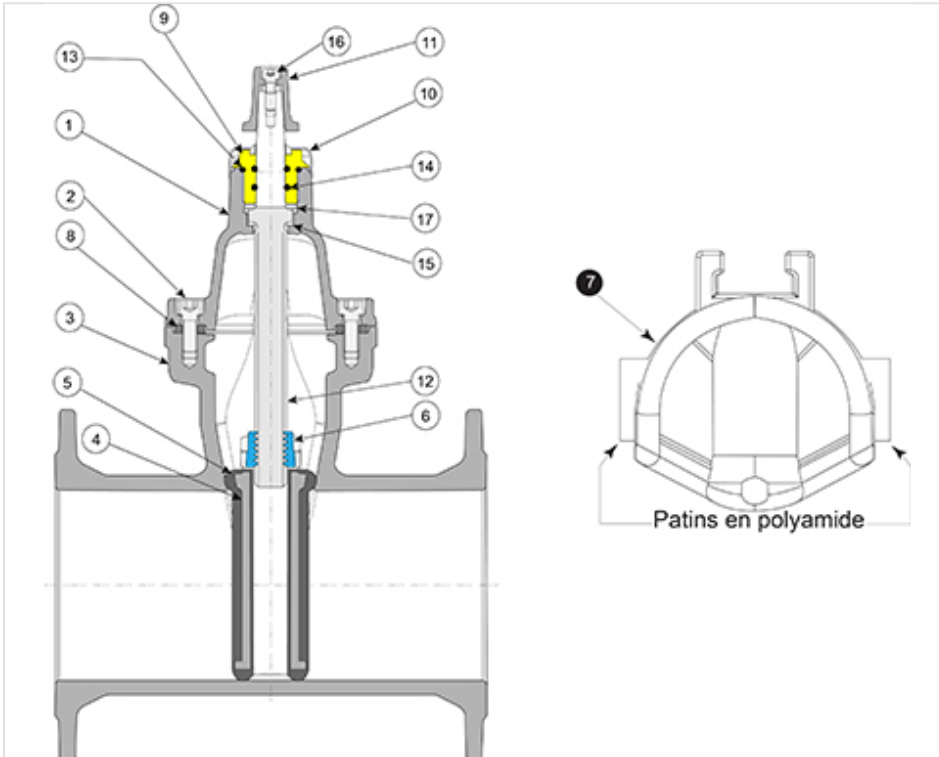
DN (mm)	Closing direction	Version	L (mm)	H1 (mm)	H (mm)	D (mm)	KxK1 (mm)	a (mm)	Number of turns	SxS (mm)	S1xS1 (mm)	PN 10		PN 16	
												Mass (kg)	References	Mass (kg)	References
300	Clockwise	Bare shaft	270	751	1036	455	476 x 258	25	54 +/-1	28.1	24.3	125.00	RBB30BBBH	125.00	RBB30BBAH

(* please contact us

DN (mm)	Closing direction	Version	L (mm)	H1 (mm)	H (mm)	D (mm)	KxK1 (mm)	a (mm)	Number of turns	SxS (mm)	S1xS1 (mm)	PN 10		PN 16	
												Mass (kg)	References	Mass (kg)	References
40	Clockwise	Cap	140	227	324	150	117 x 135	19	16.5 +/- 1	15.2	14.3	8.80	RBA40BAAH	8.80	RBA40BAAH
50	Clockwise	Cap	150	222	326.5	165	117 x 135	19	16.5 +/- 1	15.2	14.3	10.20	RBA50BACH	10.20	RBA50BACH
65 multiperçage 60-65	Clockwise	Cap	170	264	373.5	185	105 x 138	19	17 +/- 1	18.5	17.3	12.70	RBA65BALH	12.70	RBA65BALH
65 percé 60	Clockwise	Cap	170	264	373.5	185	105 x 138	19	17 +/- 1	18.5	17.3	12.75	RBA60BPCH	12.75	RBA60BPCH
80	Clockwise	Cap	180	288	405	200	162 x 143.5	19	21 +/- 1	18.5	17.3	14.30	RBA80BPCH	14.30	RBA80BPCH
100	Clockwise	Cap	190	316	448	220	188 x 139	19	23.5 +/- 1	20.6	19.3	19.00	RBB10BPCH	19.00	RBB10BPCH
125	Clockwise	Cap	200	358	501	250	225.5 x 161.5	19	28 +/- 1	20.6	19.3	24.30	RBB12BPCH	24.30	RBB12BPCH
150	Clockwise	Cap	210	401	563	285	256 x 172	19	33.5 +/- 1	20.6	19.3	32.35	RBB15BPCH	32.35	RBB15BPCH
200	Clockwise	Cap	230	508	728	340	350 x 216	20	36 +/- 1	25.7	24.3	55.80	RBB20BABH	55.50	RBB20BAAH
250	Clockwise	Cap	250	620	875	400	415 x 235	20	44 +/- 1	28.1	24.3	82.00	RBB25BABH	82.00	RBB25BAAH
300	Clockwise	Cap	270	751	1036	455	476 x 258	25	54 +/-1	28.1	24.3	125.00	RBB30BABH	125.00	RBB30BAAH



Material and coating



DN40 to 250

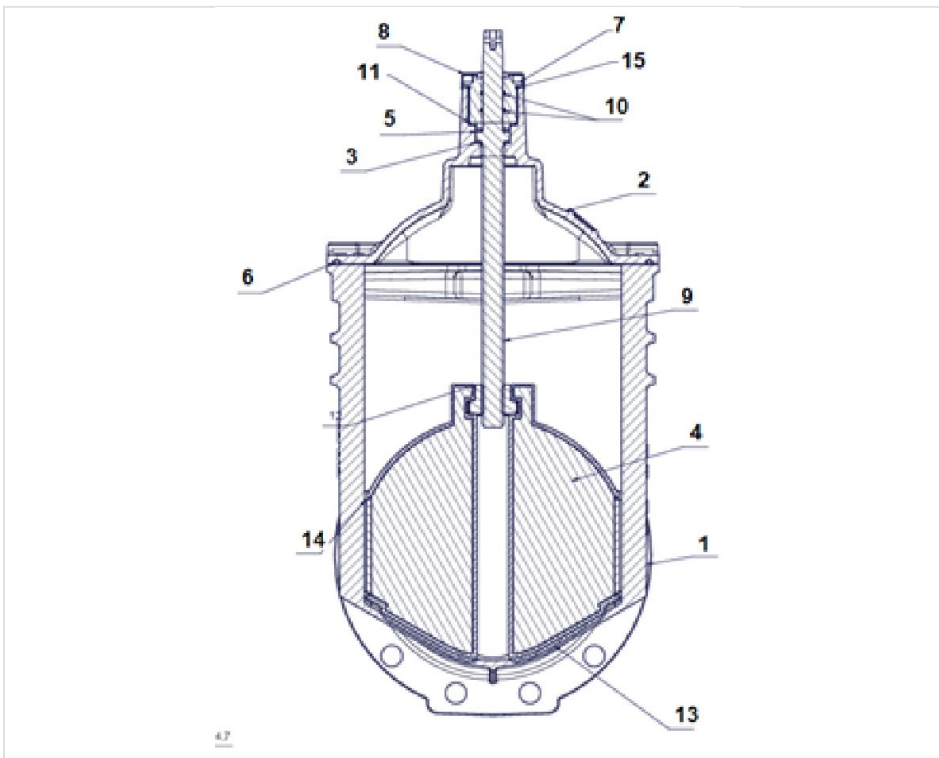
DN40 to 250

Item	Designation	Material	Coating
1	Bonnet	Ductile iron GS EN GJS 400-15 or 500-7 acc. EN1563	Blue Epoxy (*)
2	Screw	Stainless steel A2-70	
3	Body	Ductile iron GS EN GJS 400-15 or 500-7	Blue Epoxy (*)
4	Gate core	Ductile iron GS EN GJS 400-15 or 500-7	
5	Gate protection	EPDM acc. EN681-1	EPDM on ductile iron and polyamide bracket
6	Operating nut	Brass type CuZn39Pb2 acc. EN12164	
7	Bracket	Polyamide type PA 6-6	
8	Bonnet-check piece gasket	EPDM Class 70 WA according to EN681-1	
9	Bush	Brass type CuZn39Pb2 or CuZn40Pb2 according to EN12164	
10	Wiper seal	Nitrile NBR 70	
11	Cap	Ductile iron GS EN GJS 400-15 or 500-7	Epoxy 70 microns
12	Operating stem	Stainless steel X20Cr13 acc. EN10088-3	

Item	Designation	Material	Coating
13	O'ring	Nitrile NBR 70	
14	Seal bush	Nitrile NBR 70	
15	Thrust washer	Polyamide type PA 6-6	
16	Screw	Galvanised steel	
17	Bearing bonnet joint	Polyamide type PA 6-6	

(*) thickness 250 microns mini average according prescriptions of EN14901-1

Material and coating



DN300 to 400

DN300 to 400

Item	Designation	Material	Coating
1	Body	Ductile iron GS EN GJS 400-15 or 500-7 acc. EN1563	Blue Epoxy (*)
2	Bonnet	Ductile iron GS EN GJS 400-15 or 500-7 acc. EN1563	Blue Epoxy (*)

Item	Designation	Material	Coating
3	Thrust washer	Polyamide type PA 6-6	
4	Gate core	Ductile iron GS EN GJS 400-15 or 500-7 acc. EN1563	
5	Bearing bonnet joint	Polyamide type PA 6-6	
6	Joint body/bonnet	EPDM	
7	Bush	Brass type CuZn39Pb2 or CuZn40Pb2 according to EN12164	
8	Wiper seal		
9	Operating stem	Stainless steel X20Cr13 acc. EN10088-3	
10	O'ring	NBR	
11	O'ring	NBR	
12	Operating nut	Brass type CuZn39Pb2 or CuZn40Pb2 according to EN12164	
13	Gate protection	EPDM acc. EN681-1	EPDM on ductile iron and polyamide brackets
14	Bracket	Polyamide type PA 6-6	
15	O'ring	NBR	
16	Screw	Stainless steel	

(*) thickness 250 microns mini average according prescriptions of EN14901-1

Maintenance

Torque for EURO 20 New valves

DN	Tightening of bush	Tightening of screw body/bonnet
	Nm	Nm
40:50	200	40
65	200	50
80	200	50
100	200	50
125	200	55
150	200	60
200	200	70
250	300	90
300	350	120

Conditioning

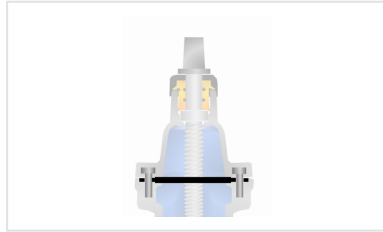
DN	SERIE 14		
		Pallet dimensions	Nb pieces
			Mass (kg)
40	Europe 1200x800x409		206
50	Europe 1200x800x419		234
65	Europe 1200x800x439		234
80	Europe 1200x800x449		173
100	Europe 1200x800x469		220
125	Europe 1200x800x494		224
150	Europe 1200x800x519		192
200	Pallet 1150x1600x535		365
250	Pallet 1150x1600x535		363



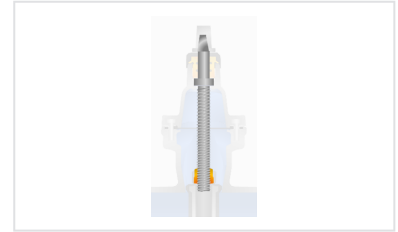
Linked products



Laying instructions - Spare Parts for EURO20 New - Stem Bearing Replacement



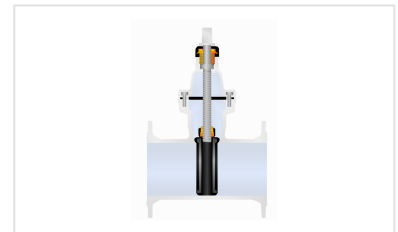
Laying instructions - Spare Parts for EURO20 New - Gate and body bonnet gasket replacement



Laying instructions - Spare Parts for EURO20 New - Operating Screw Replacement



Laying instructions - Spare Parts for EURO20 New - Gate Replacement



Laying instructions - Spare Parts for EURO20 New - Replacement of all wear parts

The information on this sketch is, to the best of our knowledge correct at the time of printing. However Saint-Gobain are constantly looking at ways of improving their products and services therefore reserve the right to change without prior notice, any of the data shown. Any orders placed will be subject to our Standard Conditions of Sale, available on request.