

EURO 20 NEW with flanges serie S15 long version PFA16 Standard



Gate Valve long version Serie S15:

- In compliance with norm NF EN1074-1 and 2 at 2500 cycles and to NF standards
- French Sanitary conformity (ACS)
- 250 microns blue epoxy powder
- Manufacturing at SG PAM Toul Plant (France)
- Unit hydraulic tests in compliance with NF EN12266-1
- Range in CC and ACC version

DN	Closing direction	Version	L (mm)	H1 (mm)	H (mm)	D (mm)	KxK1 (mm)	a (mm)	Number of turns	SxS (mm)	S1xS1 (mm)	PN 10		PN 16	
												Mass (kg)	References	Mass (kg)	References
40	Anti-Clockwise	Cap	240	227	324	150	117 x 135	19	16.5 +/- 1	15.2	14.3	9.41	RBA40ADCH	9.41	RBA40ADCH
50	Anti-Clockwise	Cap	250	222	326.5	165	117 x 135	19	16.5 +/- 1	15.2	14.3	11.00	RBA50ADCH	11.00	RBA50ADCH
65 multiperçage 60-65	Anti-Clockwise	Cap	270	264	373.5	185	105 x 138	19	17 +/- 1	18.5	17.3	13.60	RBA65ADLH	13.60	RBA65ADLH
65 percé 60	Anti-Clockwise	Cap	270	264	373.5	185	105 x 138	19	17 +/- 1	18.5	17.3	13.60	RBA60TDJH	13.60	RBA60TDJH
80	Anti-Clockwise	Cap	280	288	405	200	162 x 143.5	19	21 +/- 1	18.5	17.3	15.30	RBA80ADCH	15.30	RBA80ADCH
100	Anti-Clockwise	Cap	300	316	448	220	188 x 139	19	23.5 +/- 1	20.6	19.3	20.00	RBB10ADCH	20.00	RBB10ADCH

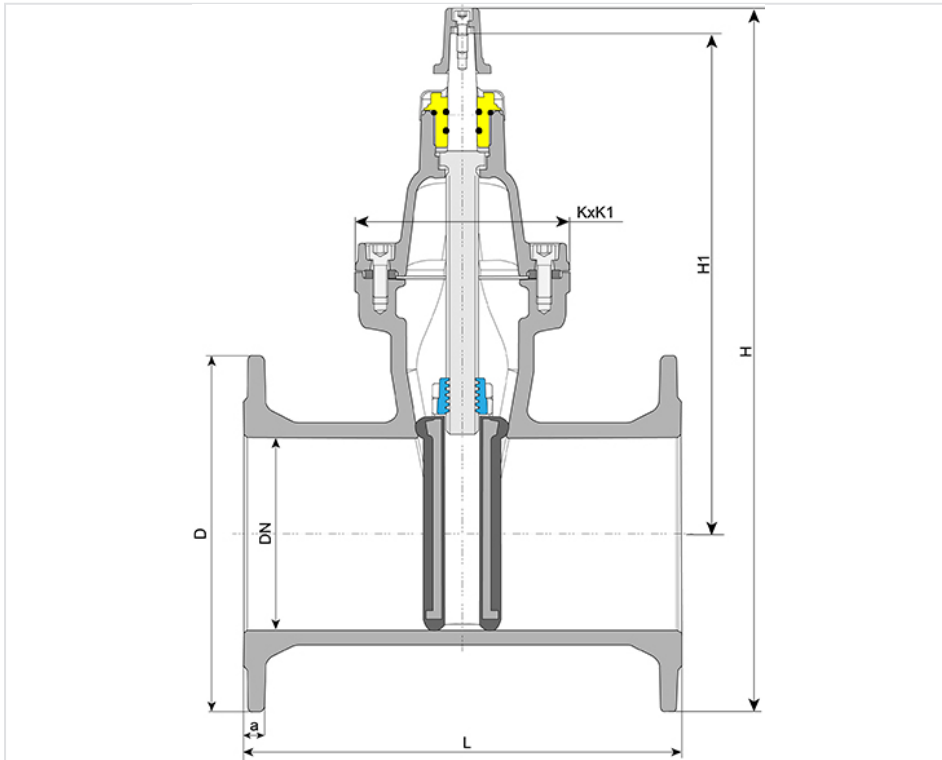
DN	Closing direction	Version	L (mm)	H1 (mm)	H (mm)	D (mm)	KxK1 (mm)	a (mm)	Number of turns	SxS (mm)	S1xS1 (mm)	PN 10		PN 16	
												Mass (kg)	References	Mass (kg)	References
125	Anti-Clockwise	Cap	325	358	501	250	225.5 x 161.5	19	28 +/- 1	20.6	19.3	26.60	RBB12ADCH	26.60	RBB12ADCH
150	Anti-Clockwise	Cap	350	401	563	285	256 x 172	19	33.5 +/- 1	20.6	19.3	36.10	RBB15ADCH	36.10	RBB15ADCH
200	Anti-Clockwise	Cap	400	508	728	340	350 x 216	20	36 +/- 1	25.7	24.3	54.10	RBB20ADBH	53.70	RBB20ADAH
250	Anti-Clockwise	Cap	450	620	875	400	415 x 235	20	44 +/- 1	28.1	24.3	92.00	RBB25ADBH	92.00	RBB25ADAH
300	Anti-Clockwise	Cap	500	751	1036	455	476 x 258	25	54 +/- 1	28.1	24.3	139.00	RBB30ADBH	139.00	RBB30ADAH

DN	Closing direction	Version	L (mm)	H1 (mm)	H (mm)	D (mm)	KxK1 (mm)	a (mm)	Number of turns	SxS (mm)	S1xS1 (mm)	PN 10		PN 16	
												Mass (kg)	References	Mass (kg)	References
40	Clockwise	Bare shaft	240	227	324	150	117 x 135	19	16.5 +/- 1	15.2	14.3	9.15	RBA40ABBH	9.15	RBA40ABBH
50	Clockwise	Bare shaft	250	222	326.5	165	117 x 135	19	16.5 +/- 1	15.2	14.3	11.00	RBA50ABBH	11.00	RBA50ABBH
65 multiperçage 60-65	Clockwise	Bare shaft	270	264	373.5	185	105 x 138	19	17 +/- 1	18.5	17.3	13.60	RBA65ABLH	13.60	RBA65ABLH
65 percé 60	Clockwise	Bare shaft	270	264	373.5	185	105 x 138	19	17 +/- 1	18.5	17.3	13.60	RBA60ANCH	13.60	RBA60ANCH
65 percé 65	Clockwise	Bare shaft	270	264	373.5	185	105 x 138	19	17 +/- 1	18.5	17.3	13.60	RBA65ANCH	13.60	RBA65ANCH
80	Clockwise	Bare shaft	280	288	405	200	162 x 143.5	19	21 +/- 1	18.5	17.3	15.30	RBA80ANCH	15.30	RBA80ANCH
100	Clockwise	Bare shaft	300	316	448	220	188 x 139	19	23.5 +/- 1	20.6	19.3	20.80	RBB10ANCH	20.80	RBB10ANCH
125	Clockwise	Bare shaft	325	358	501	250	225.5 x 161.5	19	28 +/- 1	20.6	19.3	26.60	RBB12ANCH	26.60	RBB12ANCH
150	Clockwise	Bare shaft	350	401	563	285	256 x 172	19	33.5 +/- 1	20.6	19.3	36.10	RBB15ANCH	36.10	RBB15ANCH
200	Clockwise	Bare shaft	400	508	728	340	350 x 216	20	36 +/- 1	25.7	24.3	61.00	RBB20ABBH	60.64	RBB20ABAH
250	Clockwise	Bare shaft	450	620	875	400	415 x 235	20	44 +/- 1	28.1	24.3	92.00	RBB25ABBH	92.00	RBB25ABAH

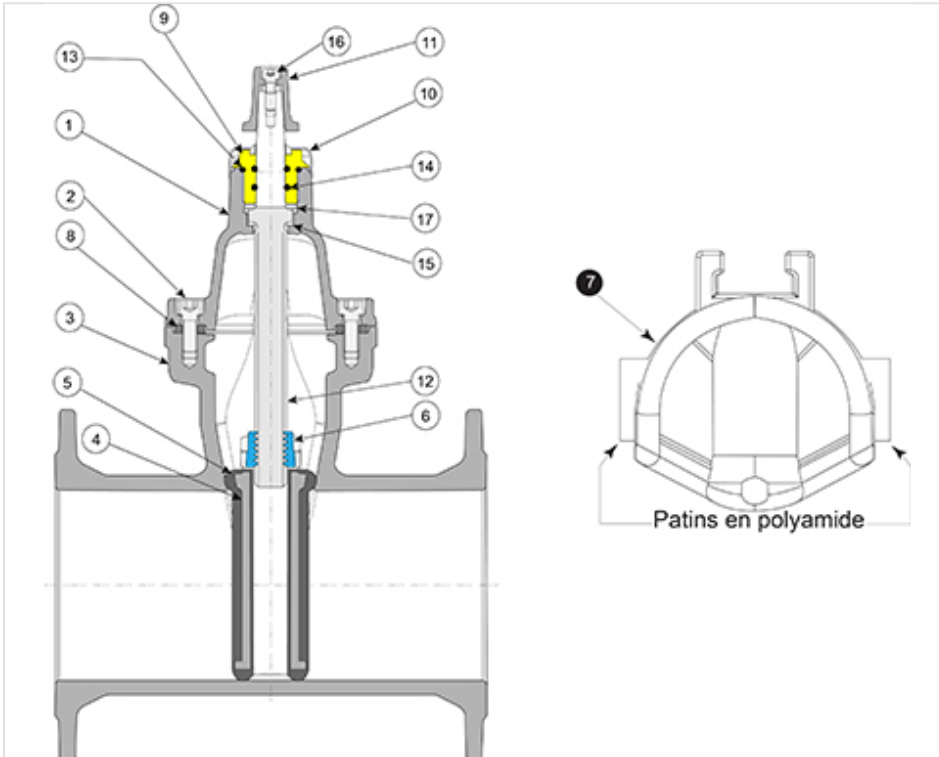
DN	Closing direction	Version	L (mm)	H1 (mm)	H (mm)	D (mm)	KxK1 (mm)	a (mm)	Number of turns	SxS (mm)	S1xS1 (mm)	PN 10		PN 16	
												Mass (kg)	References	Mass (kg)	References
300	Clockwise	Bare shaft	500	751	1036	455	476 x 258	25	54 +/-1	28.1	24.3	139.00	RBB30ABBH	139.00	RBB30ABAH

DN	Closing direction	Version	L (mm)	H1 (mm)	H (mm)	D (mm)	KxK1 (mm)	a (mm)	Number of turns	SxS (mm)	S1xS1 (mm)	PN 10		PN 16	
												Mass (kg)	References	Mass (kg)	References
40	Clockwise	Cap	240	227	324	150	117 x 135	19	16.5 +/- 1	15.2	14.3	9.41	RBA40AACH	9.41	RBA40AACH
50	Clockwise	Cap	250	222	326.5	165	117 x 135	19	16.5 +/- 1	15.2	14.3	11.00	RBA50AABH	11.00	RBA50AABH
65 multiperçage 60-65	Clockwise	Cap	270	264	373.5	185	105 x 138	19	17 +/- 1	18.5	17.3	13.60	RBA65AALH	13.60	RBA65AALH
65 percé 60	Clockwise	Cap	270	264	373.5	185	105 x 138	19	17 +/- 1	18.5	17.3	13.60	RBA60APCH	13.60	RBA60APCH
80	Clockwise	Cap	280	288	405	200	162 x 143.5	19	21 +/- 1	18.5	17.3	15.30	RBA80APCH	15.30	RBA80APCH
100	Clockwise	Cap	300	316	448	220	188 x 139	19	23.5 +/- 1	20.6	19.3	20.80	RBB10APCH	20.80	RBB10APCH
125	Clockwise	Cap	325	358	501	250	225.5 x 161.5	19	28 +/- 1	20.6	19.3	26.60	RBB12APCH	26.60	RBB12APCH
150	Clockwise	Cap	350	401	563	285	256 x 172	19	33.5 +/- 1	20.6	19.3	36.10	RBB15APCH	36.10	RBB15APCH
200	Clockwise	Cap	400	508	728	340	350 x 216	20	36 +/- 1	25.7	24.3	61.80	RBB20AABH	61.44	RBB20AAAH
250	Clockwise	Cap	450	620	875	400	415 x 235	20	44 +/- 1	28.1	24.3	92.00	RBB25AABH	92.00	RBB25AAAH
300	Clockwise	Cap	500	751	1036	455	476 x 258	25	54 +/-1	28.1	24.3	139.00	RBB30AABH	139.00	RBB30AAAH

(* please contact us



Material and coating



DN40 to 250

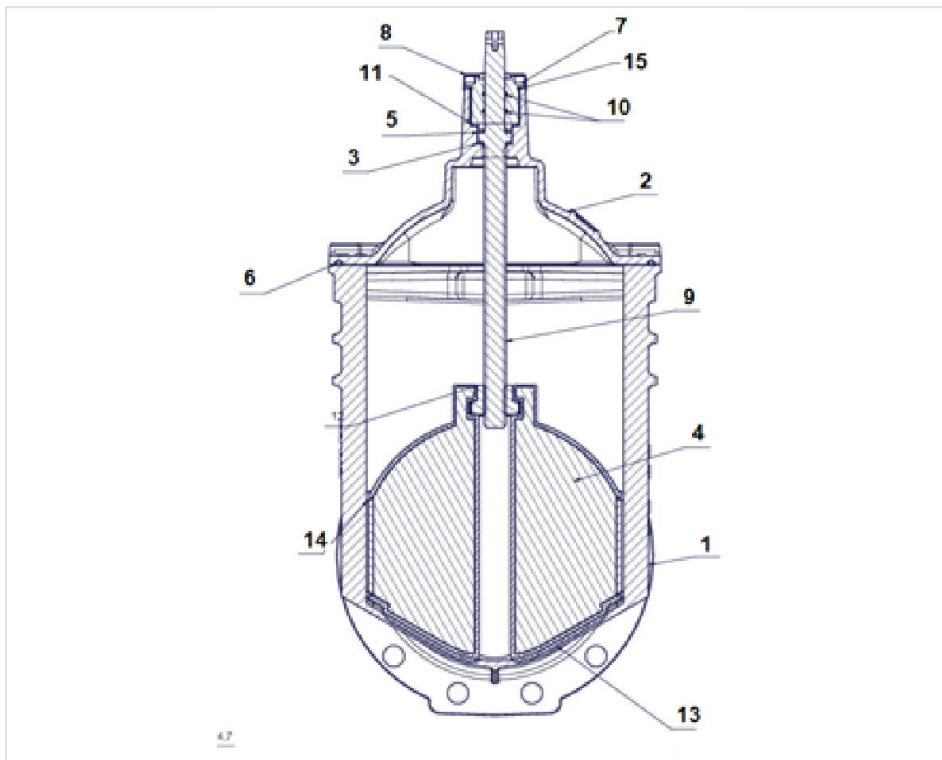
DN40 to 250

Item	Designation	Material	Coating
1	Bonnet	Ductile iron GS EN GJS 400-15 or 500-7 acc. EN1563	Blue Epoxy (*)
2	Screw	Stainless steel A2-70	
3	Body	Ductile iron GS EN GJS 400-15 or 500-7	Blue Epoxy (*)
4	Gate core	Ductile iron GS EN GJS 400-15 or 500-7	
5	Gate protection	EPDM acc. EN681-1	EPDM on ductile iron and polyamide brackets
6	Operating nut	Brass type CuZn39Pb2 acc. EN12164	
7	Bracket	Polyamide type PA 6-6	
8	Bonnet-check piece gasket	EPDM Class 70 WA according to EN681-1	
9	Bush	Brass type CuZn39Pb2 or CuZn40Pb2 according to EN12164	
10	Wiper seal	Nitrile NBR 70	
11	Cap	Ductile iron GS EN GJS 400-15 or 500-7	
12	Operating stem	Stainless steel X20Cr13 acc. EN10088-3	

Item	Designation	Material	Coating
13	O'ring	Nitrile NBR 70	
14	Seal bush	Nitrile NBR 70	
15	Thrust washer	Polyamide type PA 6-6	
16	Screw	Galvanised steel	
17	Bearing bonnet joint	Polyamide type PA 6-6	

(*) thickness 250 microns mini average according prescriptions of EN14901-1

Material and coating



DN300 to 400

DN300 to 400

Item	Designation	Material	Coating
1	Body	Ductile iron GS EN GJS 400-15 or 500-7 acc. EN1563	Blue Epoxy (*)
2	Bonnet	Ductile iron GS EN GJS 400-15 or 500-7 acc. EN1563	Blue Epoxy (*)
3	Thrust washer	Polyamide type PA 6-6	
4	Gate core	Ductile iron GS EN GJS 400-15 or 500-7 acc. EN1563	
5	Bearing bonnet joint	Polyamide type PA 6-6	



Item	Designation	Material	Coating
6	Joint body/bonnet	EPDM	
7	Bush	Brass type CuZn39Pb2 or CuZn40Pb2 according to EN12164	
8	Wiper seal		
9	Operating stem	Stainless steel X20Cr13 acc. EN10088-3	
10	O'ring	NBR	
11	O'ring	NBR	
12	Operating nut	Brass type CuZn39Pb2 or CuZn40Pb2 according to EN12164	
13	Gate protection	EPDM acc. EN681-1	EPDM on ductile iron and polyamide brackets
14	Bracket	Polyamide type PA 6-6	
15	O'ring	NBR	
16	Screw	Stainless steel	

(*) thickness 250 microns mini average according prescriptions of EN14901-1

Maintenance

Torque for EURO 20 New valves

DN	Tightening of bush	Tightening of screw body/bonnet
	Nm	Nm
40/50	200	40
65	200	50
80	200	50
100	200	50
125	200	55
150	200	60
200	200	70
250	300	90
300	350	120

Conditioning

DN	SERIE 15		
	Pallet dimensions	Nb pieces	Mass (kg)
40	Europe 1200x800x409	20	218
50	Europe 1200x800x419	20	250
65	Europe 1200x800x439	16	248

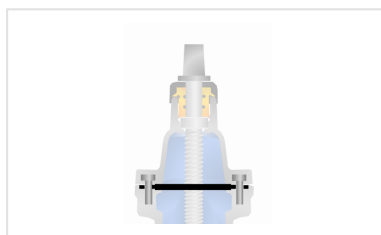
DN	SERIE 15		
80	Europe 1200x800x449	10	183
100	Europe 1200x800x469	10	238
125	Europe 1200x800x494	8	242
150	Europe 1200x800x519	5	210
200	Pallet 1150x1600x535	6	395
250	Pallet 1150x1600x535	4	403



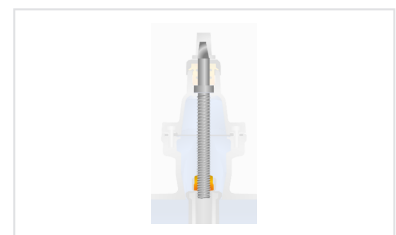
Linked products



Laying instructions - Spare Parts for EURO20 New - Stem Bearing Replacement



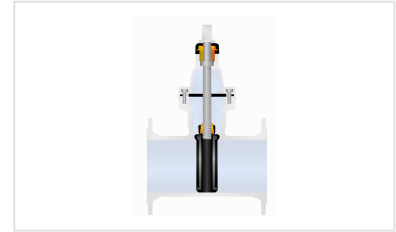
Laying instructions - Spare Parts for EURO20 New - Gate and body bonnet gasket replacement



Laying instructions - Spare Parts for EURO20 New - Operating Screw Replacement



Laying instructions - Spare Parts for EURO20 New - Gate Replacement



Laying instructions - Spare Parts for EURO20 New - Replacement of all wear parts

The information on this sketch is, to the best of our knowledge correct at the time of printing. However Saint-Gobain are constantly looking at ways of improving their products and services therefore reserve the right to change without prior notice, any of the data shown. Any orders placed will be subject to our Standard Conditions of Sale, available on request.