

## EURO 20 NG Type 21 motorizable and motorized



The EURO 20 type 21:

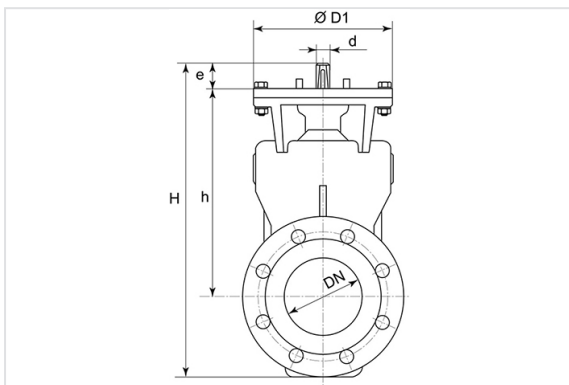
- is composed of flanges with standard face to face dimensions
- type NG : DN65-300

DN (mm)	Version	H (mm)	h (mm)	e (mm)	PN 10		PN 16	
					Mass (kg)	References	Mass (kg)	References
65	Motorizable - Adaptor F10 / Ø200 / 4 holes 12 on Ø102	375	254	28	21.00	RDA65AFCH	21.00	RDA65AFCH
80	Motorizable - Adaptor F10 / Ø200 / 4 holes 12 on Ø102	375	247	28	22.00	RDA80AFCH	22.00	RDA80AFCH
100	Motorizable - Adaptor F10 / Ø200 / 4 holes 12 on Ø102	435	290	32	27.00	RDB10AFCH	27.00	RDB10AFCH
125	Motorizable - Adaptor F10 / Ø200 / 4 holes 12 on Ø102	498	336	37	35.00	RDB12AFCH	35.00	RDB12AFCH
150	Motorizable - Adaptor F10 / Ø200 / 4 holes 12 on Ø102	552	370	39	44.00	RDB15AFCH	44.00	RDB15AFCH
200	Motorizable - Adaptor F14 / Ø305 / 4 holes 15 on Ø140	695	480	45	85.00	RDB20AFBH	85.00	RDB20AFAH
250	Motorizable - Adaptor F14 / Ø305 / 4 holes 15 on Ø140	815	570	45	129.00	RDB25AFBH	129.00	RDB25AFAH
300	Adaptor F14 / Ø305 / 4 holes 15 on Ø140	940	655	57	173.00	RDB30AFBH		
300	Motorizable - Adaptor F14 / Ø305 / 4 holes 15 on Ø140	940	655	57			173.00	RDB30AFAH

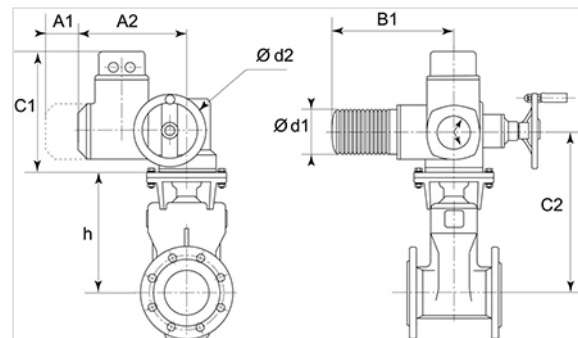
DN (mm)	Version	D (mm)	L (mm)	Type of motor	A (mm)	B (mm)	K (mm)	PN 10		PN 16	
								Mass (kg)	References	Mass (kg)	References
65	Motorized	185	270	SA 07.6	510	514	620	40.00	RDA65AHCH	40.00	RDA65AHCH
80	Motorized	200	280	SA 07.6	517	514	620	41.00	RDA80AHCH	41.00	RDA80AHCH
100	Motorized	225	300	SA 10.2	540	536	678	50.00	RDB10AHCH	50.00	RDB10AHCH
125	Motorized	250	325	SA 10.2	552	536	736	58.00	RDB12AHCH	58.00	RDB12AHCH

DN (mm)	Version	D (mm)	L (mm)	Type of motor	A (mm)	B (mm)	K (mm)	PN 10		PN 16	
								Mass (kg)	References	Mass (kg)	References
150	Motorized	285	350	SA 10.2	570	536	788	67.00	RDB15AHCH	67.00	RDB15AHCH
200	Motorized	340	230	SA 14.2	635	713	965	133.00	RDB20AHBH	133.00	RDB20AHAH
250	Motorized	400	250	SA 14.6	665	720	1085	179.00	RDB25AHBH	179.00	RDB25AHAH

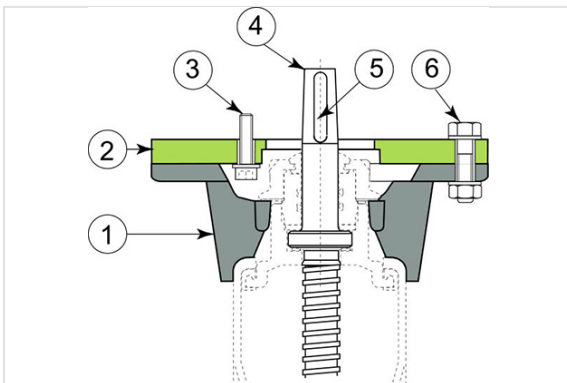
Motorizable version



Motorized version

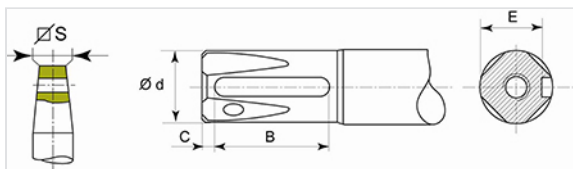


### Material and coating



Item	Designation	Material	Coating
1	Yoke - Flange	Ductile iron	Epoxy 250 microns
2	Adaptor	Carbon steel	Epoxy 250 microns
3	4 bolts CHC M10/30 - 4 washers M10/2	Steel	Zinc plated
4	Clockwise operating stem	Stainless steel type X20Cr13 according to EN10088-3	
5	Key	Steel	
6	4 bolts H 10/45 - 8 washers M10/2	Steel	Zinc plated

## Detail of key dimensions of the operating stem (CC)



DN mm	Square S mm	d mm	B mm	K mm	E mm	Key
65	17.3	20 f 8	28	4	16.5	6 x 6 x 28
80	17.3	20 f 8	28	4	16.5	6 x 6 x 28
100	19.3	22 f 8	36	4	18.5	6 x 6 x 36
125	19.3	22 f 8	36	4	18.5	6 x 6 x 36
150	19.3	22 f 8	36	4	18.5	6 x 6 x 36
200	24.3	28 f 8	45	5	20.0	8 x 7 x 45
250	27.3	32 f 8	50	5	27.0	10 x 8 x 50
300	27.3	32 f 8	50	5	27.0	10 x 8 x 50
350	27.3	32 f 8	50	5	27.0	10 x 8 x 50
400	27.3	33 f 8	56	7	28.0	10 x 8 x 56

## Choice of the servomotor: values in Nm

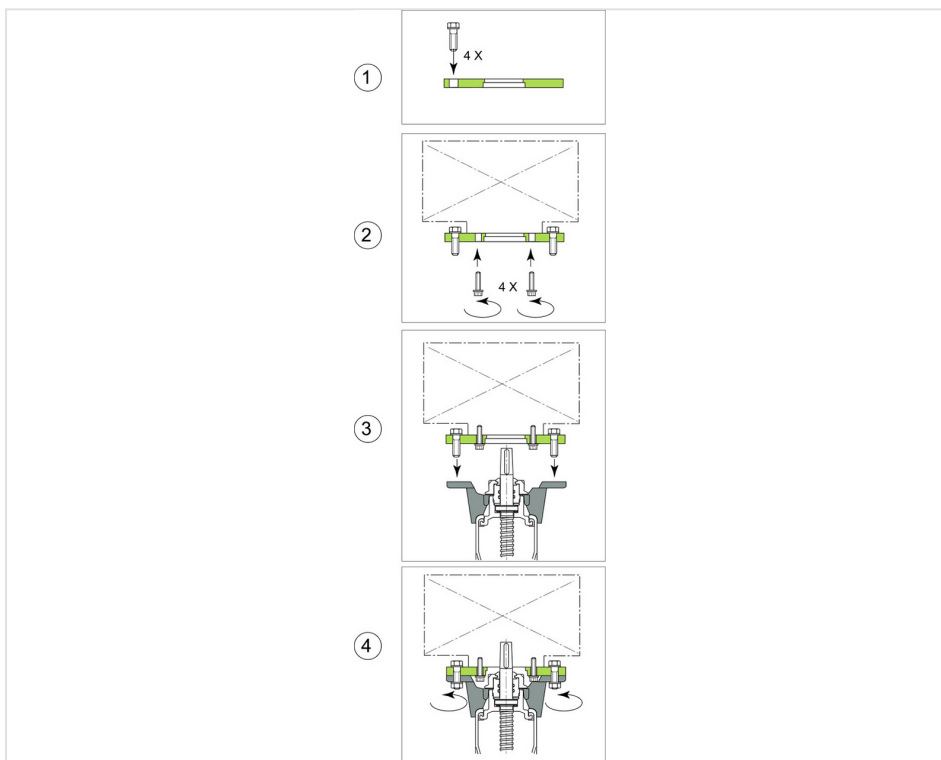
DN mm	Nominal torque Nm	Setting the torque switch Valve closing	
		Initial torque in factory	Maxi torque
65	40	50	60
80	40	50	80
100	60	80	100
125	60	80	100
150	70	95	120
200	170	200	250
250	200	250	300
300	250	300	400
350	250	300	400
400	250	300	400

The nominal torque of the motor must be equal or greater than the maximum setting of the torque switch.

**Closing the valve:** motor stops through torque switch. Limit switch on security.

**Opening the valve:** motor stops through limit switch. Torque switch on security.

### Assembly of the motor



1. Put the 4 bolts H
2. Assembly the adaptor on the motor with the 4 CHC bolts
3. Assembly the motor/adaptor on top of the operating stem of the valve.
4. Tighten the bolts.

### Conformity to Standards

Product :

- NF EN 1074-2

Tests in factory :

- NF EN 12266-1

Face to face dimensions:

- EN 558-2 ISO 5752 serie 15 for type 21
- EN 558-2 ISO 5752 serie 14 for type 23

Flange drilling:

- EN 1092-2
- ISO 7005-2
- DIN 2501

The materials of the components and the epoxy coating satisfy the French and European standards in matter of potable water.

*The information on this sketch is, to the best of our knowledge correct at the time of printing. However Saint-Gobain are constantly looking at ways of improving their products and services therefore reserve the right to change without prior notice, any of the data shown. Any orders placed will be subject to our Standard Conditions of Sale, available on request.*