

EURO 20 NG Type 21 PFA10/16 - Reinforced Version



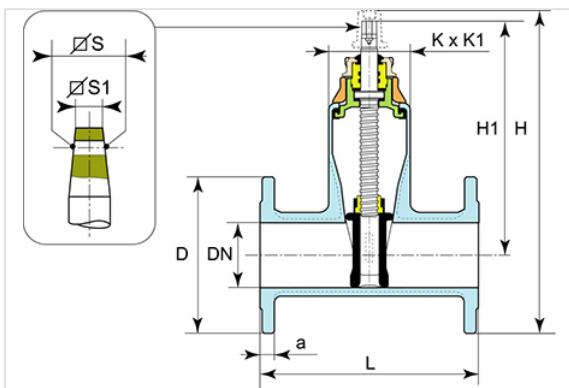
The EURO 20 type 21:

- is composed of flanges with standard face to face dimensions (DN + 200 mm),
- type NG: DN65-300
- with ears from DN200

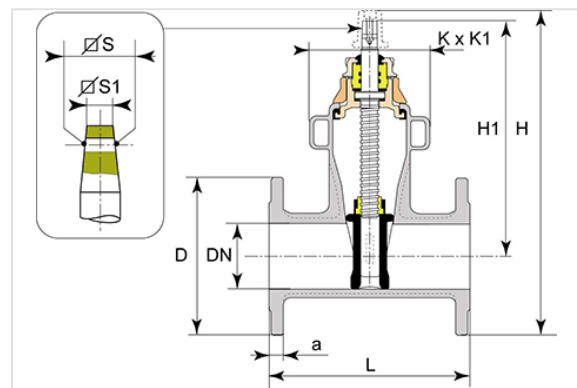
DN (mm)	Closing direction	Version	L (mm)	H1 (mm)	H (mm)	D (mm)	KxK1 (mm)	a (mm)	Number of turns	SxS (mm)	S1xS1 (mm)	PN 10		PN 16	
												Mass (kg)	References	Mass (kg)	References
40	Clockwise	Bare shaft	240	227	324	150	95x144	19	12.5	15.2	14.3	10.00	REA40ABCP	10.00	REA40ABCP
50	Clockwise	Bare shaft	250	222	326.5	165	95x144	19	12.5	15.2	14.3	11.18	REA50ABCP	11.18	REA50ABCP
60	Clockwise	Bare shaft	270	283	398	185	105x174	19	17	18.5	17.3	15.23	RDA65ANJP	15.23	RDA65ANJP
80	Clockwise	Bare shaft	280	274	396	200	105x174	19	17	18.5	17.3	16.55	RDA80ANCP	16.55	RDA80ANCP
100	Clockwise	Bare shaft	300	322	460	225	111x194	19	23	20.6	19.3	20.80	RDB10ANCP	20.80	RDB10ANCP
125	Clockwise	Bare shaft	325	372.5	520	250	126x220	19	28	20.6	19.3	28.13	RDB12ANCP	28.13	RDB12ANCP
150	Clockwise	Bare shaft	350	410	570.5	285	136x257	19	32	20.6	19.3	36.21	RDB15ANCP	36.21	RDB15ANCP
200	Clockwise	Bare shaft	400	512	704	340	266x382	20	33	25.7	24.3	75.00	RDB20ABBP	75.00	RDB20ABAP

DN (mm)	Closing direction	Version	L (mm)	H1 (mm)	H (mm)	D (mm)	KxK1 (mm)	a (mm)	Number of turns	SxS (mm)	S1xS1 (mm)	PN 10		PN 16	
												Mass (kg)	References	Mass (kg)	References
250	Clockwise	Bare shaft	450	624	846	400	285x470	22	41.5	25.7	24.3	121.00	RDB25ABBP	121.00	RDB25ABAP
300	Clockwise	Bare shaft	500	703	955	455	305 x 538	24.5	50	25.7	24.3	174.00	RDB30ABBP	174.00	RDB30ABAP

Without ears



With ears

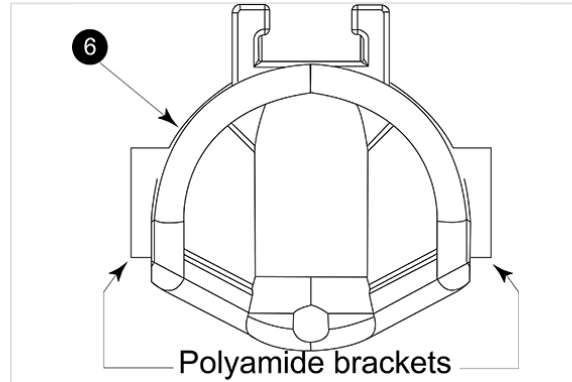
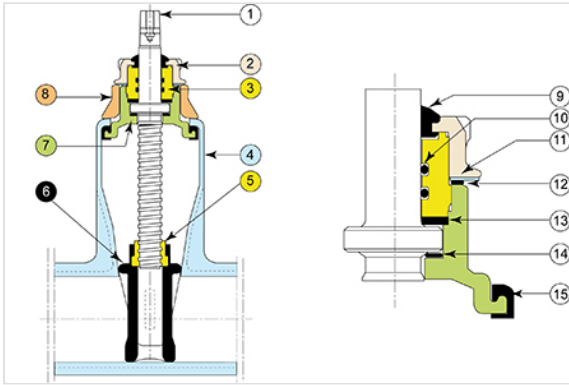


NF Mark (with flanges in short version S14 and long version S15)

SG Pam is authorized by CSTB to affix the NF Mark on this product (except DN350 and DN400). The product is in compliance with the following complementary standards and specifications:

- NF EN 1074-1 : Valves for water supply – Fitness for purpose requirements and appropriate verification tests – Part 1 : General requirements.
- NF EN 1074-2 : Valves for water supply – Fitness for purpose requirements and appropriate verification tests – Part 2 : Isolating Valves.
- NF 197 : Certification Rules of the NF Mark – Valves – Hydraulic Fountain Fittings.

Material and coating



Item	Designation	Material	Coating
1	Operating stem	Stainless steel type X2CrNiMo17-12-2 acc. EN10088-3	
2	Bearing nut	Ductile Iron GS EN GJS 400-15 or 500-7 acc. EN 1563	EVA (Ethylene Vinyl Acetate) 300 microns mini
3	Bush	CuAl10Ni3Fe2 acc. EN12164	
4	Body	Ductile Iron GS EN GJS 400-15 or 500-7 acc. EN 1563	Blue Epoxy 300 microns
5	Operating nut	CuAl10Ni3Fe2 acc. EN12164	
6	Gate	Ductile iron acc. EN1563 and EN681-1 selon EN 1563	EPDM on ductile iron and polyamide brackets
7	Bonnet	Ductile Iron GS EN GJS 400-15 or 500-7 acc. EN 1563	Blue Epoxy 300 microns
8	Yoke	Ductile Iron GS EN GJS 400-15 or 500-7 acc. EN 1563	EVA (Ethylene Vinyl Acetate) 300 microns
9	Van O Fra	Chloropren class 60 WA category acc. EN 681-1	
10	Seal bush	Elastomer Nitrile NBR WRC 70	
11	Lock washer	Stainless steel 304 or X2CrMoTi18-2 acc. EN 10088	
12	Yoke-Bonnet- gasket	Nitrile NBR 70	
13	Bearing bonnet joint	Polyamide type PA 6-6	
14	Thrust washer	Polyamide type PA 6-6	
15	Body bonnet gasket	Elastomer EPDM acc. EN681-1	

Conformity to Standards

Product :

- NF EN 1074-2

Tests in factory :

- NF EN 12266-1



Face to face dimensions:

- EN 558-2 ISO 5752 serie 15 for type 21
- EN 558-2 ISO 5752 serie 14 for type 23

Flange drilling:

- EN 1092-2
- ISO 7005-2
- DIN 2501

The materials of the components and the epoxy coating satisfy the French and European standards in matter of potable water.

The information on this sketch is, to the best of our knowledge correct at the time of printing. However Saint-Gobain are constantly looking at ways of improving their products and services therefore reserve the right to change without prior notice, any of the data shown. Any orders placed will be subject to our Standard Conditions of Sale, available on request.