

EURO 20 NG Type 21 PFA10/16 - Standard Version



The EURO 20 type 21:

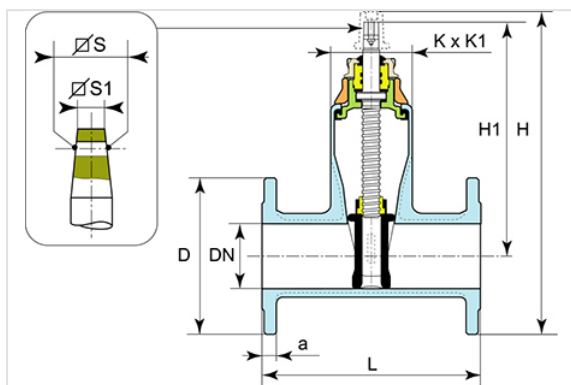
- is composed of flanges with standard face to face dimensions (DN + 200 mm),
- version NG : DN65-300
- with ears from DN200

DN	Closing direction	Version	L (mm)	H1 (mm)	H (mm)	D (mm)	KxK1 (mm)	a (mm)	Number of turns	SxS (mm)	S1xS1 (mm)	10		16	
												Mass (kg)	References	Mass (kg)	References
40	Anti-Clockwise	Cap	240	227	324	150	95x144	19	12.5	15.2	14.3	10.60	REA40ADCH	10.60	REA40ADCH
50	Anti-Clockwise	Cap	250	222	325.5	165	95x144	19	12.5	15.2	14.3	11.50	REA50ADCH	11.50	REA50ADCH
60	Anti-Clockwise	Cap	270	283	398	185	105x174	19	17	15.2	14.3	15.23	RDA65TDJH	15.23	RDA65TDJH
65	Anti-Clockwise	Cap	270	283	398	185	105x174	19	17	15.2	14.3	15.23	RDA65TDCH	15.23	RDA65TDCH
80	Anti-Clockwise	Cap	280	274	396	200	105x174	19	17	15.2	14.3	16.55	RDA80ADCH	16.55	RDA80ADCH
100	Anti-Clockwise	Cap	300	322	460	225	111x194	19	23	18.5	17.3	20.00	RDB10ADCH	20.00	RDB10ADCH
125	Anti-Clockwise	Cap	325	372.5	520	250	126x220	19	28	18.5	17.3	28.13	RDB12ADCH	28.13	RDB12ADCH
150	Anti-Clockwise	Cap	350	410	570.5	285	136x257	19	32	20.6	19.3	36.21	RDB15ADCH	36.21	RDB15ADCH

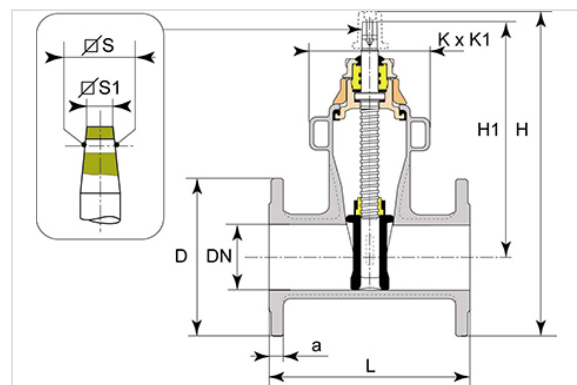
DN	Closing direction	Version	L (mm)	H1 (mm)	H (mm)	D (mm)	KxK1 (mm)	a (mm)	Number of turns	SxS (mm)	S1xS1 (mm)	10		16	
												Mass (kg)	References	Mass (kg)	References
200	Anti-Clockwise	Cap	400	512	704	340	266x382	20	33	25.7	24.3	75.00	RDB20ADBH	75.00	RDB20ADAH
250	Anti-Clockwise	Cap	450	624	846	400	285x470	22	41.5	25.7	24.3	121.00	RDB25ADBH	121.00	RDB25ADAH
300	Anti-Clockwise	Cap	500	703	955	455	305x538	24.5	50	25.7	24.3	174.00	RDB30ADBH	174.00	RDB30ADAH
40	Clockwise	Bare shaft	240	227	324	150	95x144	19	12.5	15.2	14.3	10.30	REA40ABBH	10.30	REA40ABBH
50	Clockwise	Bare shaft	250	222	326.5	165	95x144	19	12.5	15.2	14.3	11.18	REA50ABBH	11.18	REA50ABBH
60	Clockwise	Bare shaft	270	283	398	185	105x174	19	17	18.5	17.3	15.23	RDA60ANCH	15.23	RDA60ANCH
65	Clockwise	Bare shaft	270	283	398	185	105x174	19	17	18.5	17.3	15.23	RDA65ANCH	15.23	RDA65ANCH
80	Clockwise	Bare shaft	280	274	396	200	105x174	19	17	18.5	17.3	16.55	RDA80ANCH	16.55	RDA80ANCH
100	Clockwise	Bare shaft	300	322	460	225	111x194	19	23	20.6	19.3	20.80	RDB10ANCH	20.80	RDB10ANCH
125	Clockwise	Bare shaft	325	372.5	520	250	126x220	19	28	20.6	19.3	28.13	RDB12ANCH	28.13	RDB12ANCH
150	Clockwise	Bare shaft	350	410	570.5	285	136x257	19	32	20.6	19.3	36.21	RDB15ANCH	36.21	RDB15ANCH
200	Clockwise	Bare shaft	400	512	704	340	266x382	20	33	25.7	24.3	75.00	RDB20ABBH	75.00	RDB20ABAH
250	Clockwise	Bare shaft	450	624	846	400	285x470	22	41.5	25.7	24.3	121.00	RDB25ABBH	121.00	RDB25ABAH
300	Clockwise	Bare shaft	500	703	955	455	305x538	24.5	50	25.7	24.3	174.00	RDB30ABBH	174.00	RDB30ABAH
40	Clockwise	Cap	240	227	324	150	95x144	19	12.5	15.2	14.3	10.60	REA40AACH	10.60	REA40AACH
50	Clockwise	Cap	250	222	326.5	165	95x144	19	12.5	15.2	14.3	11.50	REA50AABH	11.50	REA50AABH
60	Clockwise	Cap	270	283	398	185	105x174	19	17	18.5	17.3	15.23	RDA60APCH	15.23	RDA60APCH
65	Clockwise	Cap	270	283	398	185	105x174	19	17	18.5	17.3	15.23	164752	15.23	164752
80	Clockwise	Cap	280	274	396	200	105x174	19	17	18.5	17.3	16.55	RDA80APCH	16.55	RDA80APCH
100	Clockwise	Cap	300	322	460	225	111x194	19	23	20.6	19.3	20.80	RDB10APCH	20.80	RDB10APCH
125	Clockwise	Cap	325	372.5	520	250	126x220	19	28	20.6	19.3	28.13	RDB12APCH	28.13	RDB12APCH
150	Clockwise	Cap	350	410	570.5	285	136x257	19	32	20.6	19.3	36.21	RDB15APCH	36.21	RDB15APCH
200	Clockwise	Cap	400	512	704	340	266x382	20	33	25.7	24.3	75.00	RDB20AABH	75.00	RDB20AAAH

DN	Closing direction	Version	L (mm)	H1 (mm)	H (mm)	D (mm)	KxK1 (mm)	a (mm)	Number of turns	SxS (mm)	S1xS1 (mm)	10	16		
												Mass (kg)	References	Mass (kg)	References
250	Clockwise	Cap	450	624	846	400	285x470	22	41.5	25.7	24.3	121.00	RDB25AABH	121.00	RDB25AAAH
300	Clockwise	Cap	500	703	955	455	305x538	24.5	50	25.7	24.3	174.00	RDB30AABH	174.00	RDB30AAAH

Without ears



With ears

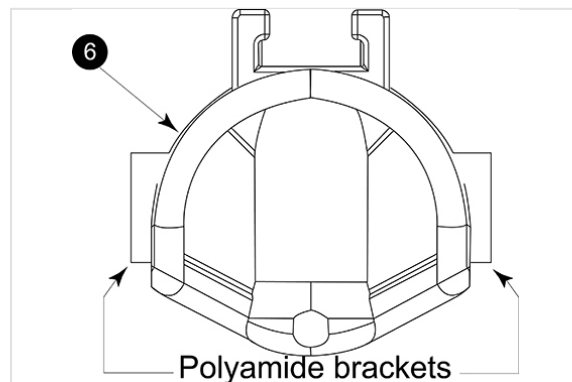
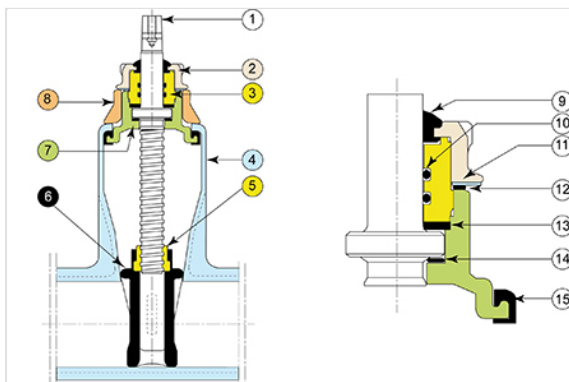


NF Mark (with flanges in short version S14 and long version S15)

SG Pam is authorized by CSTB to affix the NF Mark on this product (except DN350 and DN400). The product is in compliance with the following complementary standards and specifications:

- NF EN 1074-1 : Valves for water supply – Fitness for purpose requirements and appropriate verification tests – Part 1 : General requirements.
- NF EN 1074-2 : Valves for water supply – Fitness for purpose requirements and appropriate verification tests – Part 2 : Isolating Valves.
- NF 197 : Certification Rules of the NF Mark – Valves – Hydraulic Fountain Fittings.

Material and coating



Item	Designation	Material	Coating
1	Operating stem	Stainless steel type X20Cr13 acc. EN10088-3	
2	Bearing nut	Ductile Iron GS EN GJS 400-15 or 500-7 acc. EN 1563	EVA (Ethylene Vinyl Acetate) 250 microns mini
3	Bush	Brass type CuZn39Pb2 or CuZn40Pb2 acc. EN12164	
4	Body	Ductile Iron GS EN GJS 400-15 or 500-7 acc. EN 1563	Blue Epoxy (*)
5	Operating nut	Brass type CuZn39Pb2 or CuZn40Pb2 acc. EN12164	
6	Gate	Ductile iron acc. EN1563 and EN681-1 selon EN 1563	EPDM on ductile iron and polyamide brackets
7	Bonnet	Ductile Iron GS EN GJS 400-15 or 500-7 acc. EN 1563	Blue Epoxy (*)
8	Yoke	Ductile Iron GS EN GJS 400-15 or 500-7 acc. EN 1563	EVA (Ethylene Vinyl Acetate) 250 microns
9	Van O Fra	Chloropren class 60 WA category acc. EN 681-1	
10	Seal bush	Elastomer Nitrile NBR WRC 70	
11	Lock washer	Stainless steel 304 or X2CrMoTi18-2 acc. EN 10088	
12	Yoke-Bonnet- gasket	Nitrile NBR 70	
13	Bearing bonnet joint	Polyamide type PA 6-6	
14	Thrust washer	Polyamide type PA 6-6	
15	Body bonnet gasket	Elastomer EPDM acc. EN681-1	

(*) thickness 250 microns mini average according prescriptions of EN14901-1

Conformity to Standards

Product :

- NF EN 1074-2

Tests in factory :

- NF EN 12266-1

Face to face dimensions:

- EN 558-2 ISO 5752 serie 15 for type 21
- EN 558-2 ISO 5752 serie 14 for type 23

Flange drilling:

- EN 1092-2
- ISO 7005-2
- DIN 2501

The materials of the components and the epoxy coating satisfy the French and European standards in matter of potable water.



The information on this sketch is, to the best of our knowledge correct at the time of printing. However Saint-Gobain are constantly looking at ways of improving their products and services therefore reserve the right to change without prior notice, any of the data shown. Any orders placed will be subject to our Standard Conditions of Sale, available on request.