

EURO 20 NG Type 23 motorizable and motorized



The EURO 20 type 23:

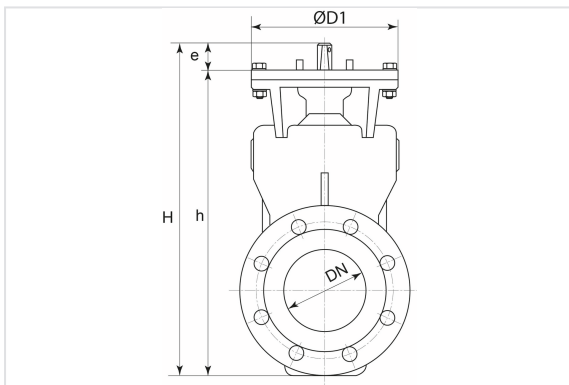
- is composed of flanges with reduced face to face dimensions
- version NG : DN65-300

DN (mm)	Version	ØD1 (mm)	L (mm)	Type of motor	A (mm)	B (mm)	K (mm)	PN 10		PN 16	
								Mass (kg)	References	Mass (kg)	References
65	Motorized	185	170	SA 07-6	510	514	620	39.00	RDA65BHCH	39.00	RDA65BHCH
80	Motorized	200	180	SA 07-6	517	514	620	40.00	RDA80BHCH	40.00	RDA80BHCH
100	Motorized	225	190	SA 10.2	540	536	678	48.00	RDB10BHCH	48.00	RDB10BHCH
125	Motorized	250	200	SA 10.2	552	536	736	55.00	RDB12BHCH	55.00	RDB12BHCH
150	Motorized	285	210	SA 10.2	570	536	788	63.00	RDB15BHCH	63.00	RDB15BHCH
200	Motorized	340	230	SA 14.2	635	713	965	130.00	RDB20BHBH	130.00	RDB20BHAH
250	Motorized	400	250	SA 14.6	665	720	1085	165.00	RDB25BHBH	165.00	RDB25BHAH
300	Motorized	455	270	SA 14.6	693	720	1198	199.00	RDB30BHBH	199.00	RDB30BHAH
350	Motorized	520	290	SA 14.6	725	720	1230	244.00	RDB35BHBH	244.00	RDB35BHAH
400	Motorized	580	310	SA 14.6	755	720	1419	365.00	REB40BHBH	365.00	REB40BHAH

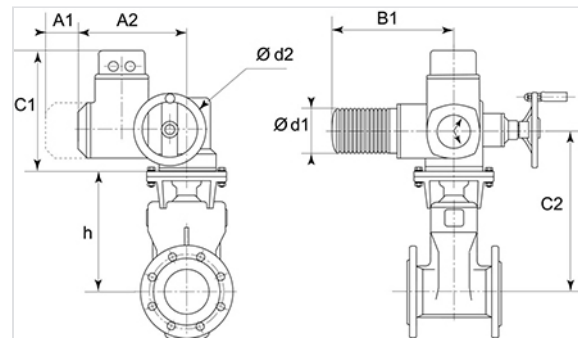
DN (mm)	Version (ØD1)	H (mm)	h (mm)	e (mm)	PN 10		PN 16	
					Mass (kg)	References	Mass (kg)	References
65	Motorizable - Adaptor F10 / Ø200 / 4 holes 12 on Ø102	375	254	28	20.00	RDA65BFCH	20.00	RDA65BFCH
80	Motorizable - Adaptor F10 / Ø200 / 4 holes 12 on Ø102	375	247	28	21.00	RDA80BFCH	21.00	RDA80BFCH
100	Motorizable - Adaptor F10 / Ø200 / 4 holes 12 on Ø102	435	290	32	25.00	RDB10BFCH	25.00	RDB10BFCH

DN (mm)	Version (ØD1)	H (mm)	h (mm)	e (mm)	PN 10		PN 16	
					Mass (kg)	References	Mass (kg)	References
125	Motorizable - Adaptor F10 / Ø200 / 4 holes 12 on Ø102	498	336	37	32.00	RDB12BFCH	32.00	RDB12BFCH
150	Motorizable - Adaptor F10 / Ø200 / 4 holes 12 on Ø102	552	370	39	40.00	RDB15BFCH	40.00	RDB15BFCH
200	Motorizable - Adaptor F14 / Ø305 / 4 holes 15 on Ø140	695	480	45	84.00	RDB20BFBH	84.00	RDB20BFAH
250	Motorizable - Adaptor F14 / Ø305 / 4 holes 15 on Ø140	815	570	45	126.00	RDB25BFBH	126.00	RDB25BFAH
300	Motorizable - Adaptor F14 / Ø305 / 4 holes 15 on Ø140	940	655	57	149.00	RDB30BFBH	149.00	RDB30BFAH
350	Motorizable - Adaptor F14 / Ø305 / 4 holes 15 on Ø140	972	655	57	194.00	RDB35BFBH	194.00	RDB35BFAH
400	Motorizable - Adaptor F14 / Ø305 / 4 holes 15 on Ø140	1162	872	58	315.00	REB40BFBH	315.00	REB40BFAH

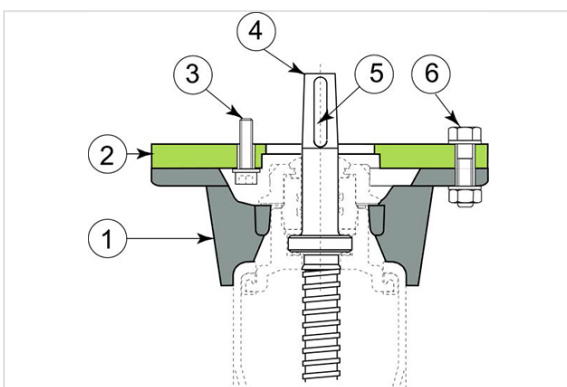
Motorizable version



Motorized version



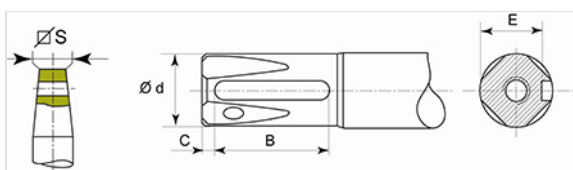
Material and coating



Item	Designation	Material	Coating
1	Yoke - Flange	Ductile iron	Epoxy 250 microns
2	Adaptor	Carbon steel	Epoxy 250 microns
3	4 bolts CHC M10/30 - 4 washers M10/2	Steel	Zinc plated

Item	Designation	Material	Coating
4	Clockwise operating stem	Stainless steel type X20Cr13 according to EN10088-3	
5	Key	Steel	
6	4 bolts H 10/45 - 8 washers M10/2	Steel	Zinc plated

Detail of key dimensions of the operating stem (Clockwise)



DN mm	Square S mm	d mm	B mm	K mm	E mm	Key
65	17.3	20 f 8	28	4	16.5	6 x 6 x 28
80	17.3	20 f 8	28	4	16.5	6 x 6 x 28
100	19.3	22 f 8	36	4	18.5	6 x 6 x 36
125	19.3	22 f 8	36	4	18.5	6 x 6 x 36
150	19.3	22 f 8	36	4	18.5	6 x 6 x 36
200	24.3	28 f 8	45	5	20.0	8 x 7 x 45
250	27.3	32 f 8	50	5	27.0	10 x 8 x 50
300	27.3	32 f 8	50	5	27.0	10 x 8 x 50
350	27.3	32 f 8	50	5	27.0	10 x 8 x 50
400	27.3	33 f 8	56	7	28.0	10 x 8 x 56

Choice of the servomotor: values in Nm

DN mm	Nominal torque Nm	Setting the torque switch Valve closing	
		Initial torque in factory	Maxi torque
65	40	50	60
80	40	50	60
100	60	80	100
125	60	80	100
150	70	95	120
200	170	200	250
250	200	250	300

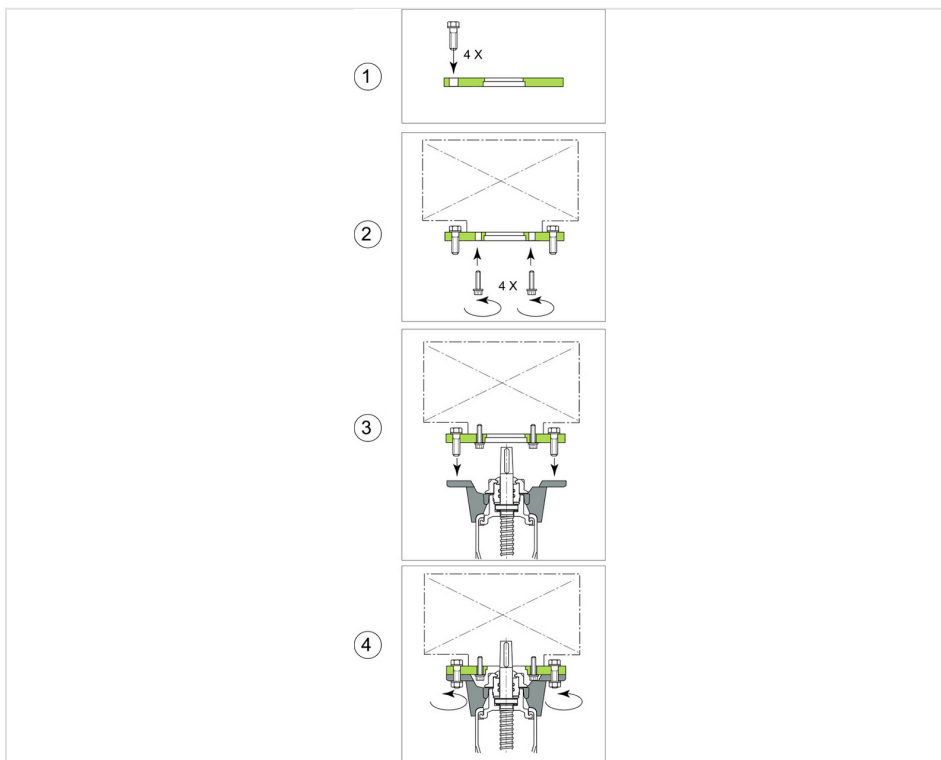
DN mm	Nominal torque Nm	Setting the torque switch Valve closing	
		Initial torque in factory	Maxi torque
300	250	300	400
350	250	300	400
400	250	300	400

The nominal torque of the motor must be equal or greater than the maximum setting of the torque switch.

Closing the valve: motor stops through torque switch. Limit switch on security.

Opening the valve: motor stops through limit switch. Torque switch on security.

Assembly of the motor



1. Put the 4 bolts H
2. Assembly the adaptor on the motor with the 4 CHC bolts
3. Assembly the motor/adaptor on top of the operating stem of the valve
4. Tighten the bolts

Conformity to Standards

Product :

- NF EN 1074-2

Tests in factory :

- NF EN 12266-1

Face to face dimensions:

- EN 558-2 ISO 5752 serie 15 for type 21
- EN 558-2 ISO 5752 serie 14 for type 23

Flange drilling:

- EN 1092-2
- ISO 7005-2
- DIN 2501

The materials of the components and the epoxy coating satisfy the French and European standards in matter of potable water.

The information on this sketch is, to the best of our knowledge correct at the time of printing. However Saint-Gobain are constantly looking at ways of improving their products and services therefore reserve the right to change without prior notice, any of the data shown. Any orders placed will be subject to our Standard Conditions of Sale, available on request.