

EURO 20 NG Type 23 PFA10/16 - Reinforced Version



The EURO 20 type 23:

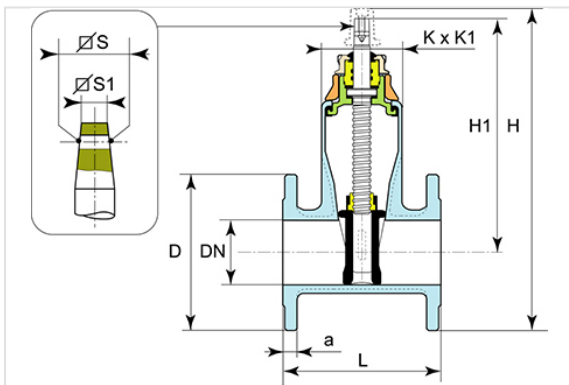
- is composed of flanges with reduced face to face dimensions (0.4 DN+ 150mm),
- NG type: DN65-250
- with ears from DN200

DN (mm)	Closing direction	Version	L (mm)	H1 (mm)	H (mm)	D (mm)	KxK1 (mm)	a (mm)	Number of turns	SxS (mm)	S1xS1 (mm)	PN 10		PN 16	
												Mass (kg)	References	Mass (kg)	References
60	Clockwise	Bare shaft	170	283	363	185	105x174	19	17	18.5	17	15.23	RDA65BNJP	15.23	RDA65BNJP
65	Clockwise	Bare shaft	170	283	363	185	105x174	19	17	18.5	17	15.23	RDA65BNCP	15.23	RDA65BNCP
80	Clockwise	Bare shaft	180	275	361	200	105x174	19	17	18.5	17	15.55	RDA80BNCP	15.55	RDA80BNCP
100	Clockwise	Bare shaft	190	322	419.5	225	111x194	19	23	20.6	19	19.00	RDB10BNCP	19.00	RDB10BNCP
125	Clockwise	Bare shaft	200	382.5	487.5	250	126x220	19	28	20.6	19	25.65	RDB12BNCP	25.65	RDB12BNCP
150	Clockwise	Bare shaft	210	410	535	285	136x257	19	32	20.6	19	32.20	RDB15BNCP	32.20	RDB15BNCP
200	Clockwise	Bare shaft	230	515	745	340	266x382	20	33	25.7	24.3	66.00	RDB20BBBP	66.00	RDB20BBAP
250	Clockwise	Bare shaft	250	595	855	400	285x470	22	41.5	25.7	24.3	108.00	RDB25BBBP	108.00	RDB25BBAP

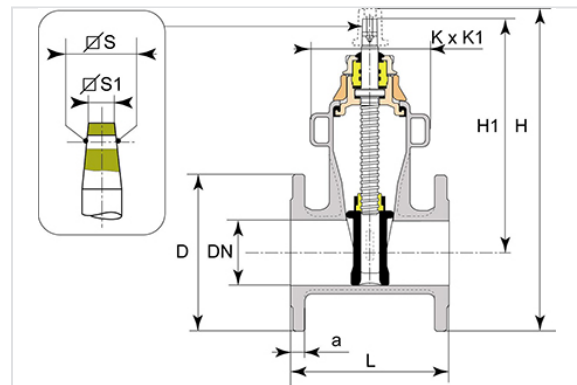
DN (mm)	Closing direction	Version	L (mm)	H1 (mm)	H (mm)	D (mm)	KxK1 (mm)	a (mm)	Number of turns	SxS (mm)	S1xS1 (mm)	PN 10		PN 16	
												Mass (kg)	References	Mass (kg)	References
300	Clockwise	Bare shaft	270	705	1010	455	305x538	24.5	50	25.7	24.3	155.00	RDB30BBBP	130.00	RDB30BBAP
350	Clockwise	Bare shaft	290	705	1043	520	305x538	26.5	50			175.00	RDB35BBBP	175.00	RDB35BBAP
400	Clockwise	Bare shaft	310	914	1258	580	348x686	28	70			290.00	REB40BBBP	290.00	REB40BBAP

(* please contact us

Without ears



With ears

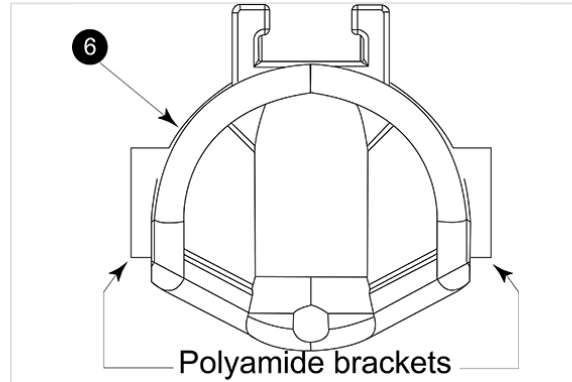
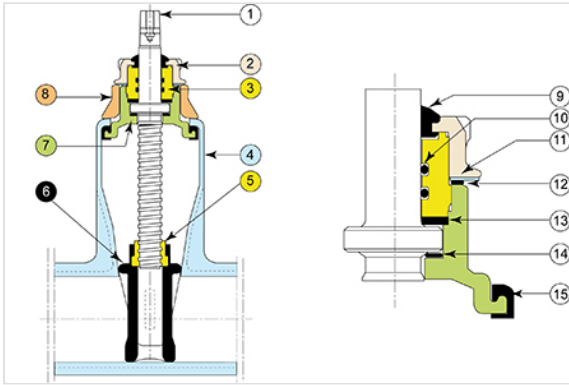


NF Mark (with flanges in short version S14 and long version S15)

SG Pam is authorized by CSTB to affix the NF Mark on this product (except DN350 and DN400). The product is in compliance with the following complementary standards and specifications:

- NF EN 1074-1 : Valves for water supply – Fitness for purpose requirements and appropriate verification tests – Part 1 : General requirements.
- NF EN 1074-2 : Valves for water supply – Fitness for purpose requirements and appropriate verification tests – Part 2 : Isolating Valves.
- NF 197 : Certification Rules of the NF Mark – Valves – Hydraulic Fountain Fittings.

Material and coating



Item	Designation	Material	Coating
1	Operating stem	Stainless steel type X2CrNiMo17-12-2 acc. EN10088-3	
2	Bearing nut	Ductile Iron GS EN GJS 400-15 or 500-7	EVA (Ethylene Vinyl Acetate) 300 microns mini
3	Bush	CuAl10Ni3Fe2 acc. EN12164	
4	Body	Ductile Iron GS EN GJS 400-15 or 500-7 acc. EN 1563	Blue Epoxy 300 microns
5	Operating nut	CuAl10Ni3Fe2 acc. EN12164	
6	Gate	Ductile iron acc. EN1563 and EN681-1 selon EN 1563	EPDM on ductile iron and polyamide brackets
7	Bonnet	Ductile Iron GS EN GJS 400-15 or 500-7 acc. EN 15637	Blue Epoxy 300 microns
8	Yoke	Ductile Iron GS EN GJS 400-15 or 500-7 acc. EN 1563	EVA (Ethylene Vinyl Acetate) 300 microns
9	Van O Fra	Chloropren class 60 WA category acc. EN 681-1	
10	Seal bush	Elastomer Nitrile NBR WRC 70	
11	Lock washer	Stainless steel 304 or X2CrMoTi18-2 acc. EN 10088	
12	Yoke-Bonnet- gasket	Nitrile NBR 70	
13	Bearing bonnet joint	Polyamide type PA 6-6	
14	Thrust washer	Polyamide type PA 6-6	
15	Body bonnet gasket	Elastomer EPDM acc. EN681-1	

Conformity to Standards

Product :

- NF EN 1074-2

Tests in factory :

- NF EN 12266-1



Face to face dimensions:

- EN 558-2 ISO 5752 serie 15 for type 21
- EN 558-2 ISO 5752 serie 14 for type 23

Flange drilling:

- EN 1092-2
- ISO 7005-2
- DIN 2501

The materials of the components and the epoxy coating satisfy the French and European standards in matter of potable water.

The information on this sketch is, to the best of our knowledge correct at the time of printing. However Saint-Gobain are constantly looking at ways of improving their products and services therefore reserve the right to change without prior notice, any of the data shown. Any orders placed will be subject to our Standard Conditions of Sale, available on request.