

EURO 20 NG Type 23 PFA10/16 - Standard Version



The EURO 20 type 23:

- is composed of flanges with reduced face to face dimensions (0.4 DN+ 150mm),
- NG type: DN65-350
- with ears from DN200

DN (mm)	Closing direction	Version	L (mm)	H1 (mm)	H (mm)	D (mm)	KxK1 (mm)	a (mm)	Number of turns	SxS (mm)	S1xS1 (mm)	PN 10		PN 16	
												Mass (kg)	References	Mass (kg)	References
50	Anti-Clockwise	Cap	150	222	335	165	95x144	19	12.5	15.2	14.3	10.50	REA50BDCH	10.50	REA50BDCH
60	Anti-Clockwise	Cap	170	283	363	185	105x174	19	17	15.2	14	14.23	RDA65BDJH	14.23	RDA65BDJH
65	Anti-Clockwise	Cap	170	283	363	185	105x174	19	17	15.2	14	14.23	RDA65BDAH	14.23	RDA65BDAH
80	Anti-Clockwise	Cap	180	275	361	200	105x174	19	17	15.2	14	15.55	REA80UDBH	15.55	REA80UDBH
100	Anti-Clockwise	Cap	190	322	419.5	225	111x194	19	23	18.5	17	19.00	RDB10BDBH	19.00	RDB10BDBH
125	Anti-Clockwise	Cap	200	382.5	487.5	250	126x220	19	28	18.5	17	25.65	REB12UDCH	25.65	REB12UDCH
150	Anti-Clockwise	Cap	210	410	535	285	136x257	19	32	20.6	19	32.20	RDB15BDCH	32.20	RDB15BDCH
200	Anti-Clockwise	Cap	230	515	745	340	266x382	20	33	25.7	24.3	66.00	RDB20BDBH	66.00	RDB20BDAH

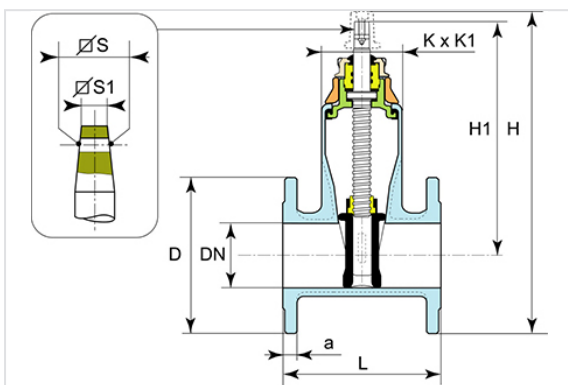
DN (mm)	Closing direction	Version	L (mm)	H1 (mm)	H (mm)	D (mm)	KxK1 (mm)	a (mm)	Number of turns	SxS (mm)	S1xS1 (mm)	PN 10		PN 16	
												Mass (kg)	References	Mass (kg)	References
250	Anti-Clockwise	Cap	250	595	855	400	285x470	22	41.5	25.7	24.3	108.00	RDB25BDBH	108.00	RDB25BDAH
300	Anti-Clockwise	Cap	270	705	1010	455	305x538	24.5	50	25.7	24.3	155.00	RDB30BDBH	155.00	RDB30BDAH
350	Anti-Clockwise	Cap	290	705	1043	520	305x538	26.5	50	28.9		175.00	RDB35BDBH	175.00	RDB35BDAH
400	Anti-Clockwise	Cap	310	914	1258	580	348x686	28	70	28.9		298.00	REB40BDBH	298.00	REB40BDAH

(* please consult us

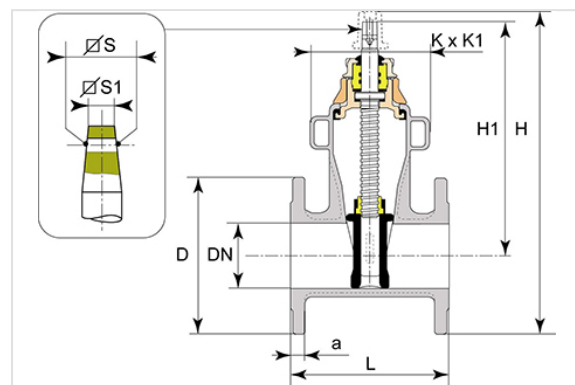
DN (mm)	Closing direction	Version	L (mm)	H1 (mm)	H (mm)	D (mm)	KxK1 (mm)	a (mm)	Number of turns	SxS (mm)	S1xS1 (mm)	PN 10		PN 16	
												Mass (kg)	References	Mass (kg)	References
40	Clockwise	Bare shaft	140	227	333	150	95x144	19	12.5	15.2	14.3	8.50	REA40BBCH	8.50	REA40BBCH
40	Clockwise	Cap	140	227	333	150	95x144	19	12.5	15.2	14.3	8.80	REA40BAAH	8.80	REA40BAAH
50	Clockwise	Bare shaft	150	222	335	165	95x144	19	12.5	15.2	14.3	10.50	REA50BBCH	10.50	REA50BBCH
50	Clockwise	Cap	150	222	335	165	95x144	19	12.5	15.2	14.3	10.50	REA50BACH	10.50	REA50BACH
60	Clockwise	Bare shaft	170	283	363	185	105x174	19	17	18.5	17	14.23	RDA65BBJH	14.23	RDA65BBJH
60	Clockwise	Cap	170	283	363	185	105x174	19	17	18.5	17	14.23	RDA60BPCH	14.23	RDA60BPCH
65	Clockwise	Bare shaft	170	283	363	185	105x174	19	17	18.5	17	14.23	RDA65BNCH	14.23	RDA65BNCH
65	Clockwise	Cap	170	283	363	185	105x174	19	17	18.5	17	14.23	RDA65BPCH	14.23	RDA65BPCH
80	Clockwise	Bare shaft	180	275	361	200	105x174	19	17	18.5	17	15.55	RDA80BNCH	15.55	RDA80BNCH
80	Clockwise	Cap	180	275	361	200	105x174	19	17	18.5	17	15.55	RDA80BPCH	15.55	RDA80BPCH
100	Clockwise	Bare shaft	190	322	419.5	225	111x194	19	23	20.6	19	19.00	RDB10BNCH	19.00	RDB10BNCH
100	Clockwise	Cap	190	322	419.5	225	111x194	19	23	20.6	19	19.00	RDB10BPCH	19.00	RDB10BPCH
125	Clockwise	Bare shaft	200	382.5	487.5	250	126x220	19	28	20.6	19	25.65	RDB12BNCH	25.65	RDB12BNCH
125	Clockwise	Cap	200	382.5	487.5	250	126x220	19	28	20.6	19	25.65	RDB12BPCH	25.65	RDB12BPCH
150	Clockwise	Bare shaft	210	410	535	285	136x257	19	32	20.6	19	32.20	RDB15BBCH	32.20	RDB15BBCH
150	Clockwise	Cap	210	410	535	285	136x257	19	32	20.6	19	32.20	RDB15BPCH	32.20	RDB15BPCH

DN (mm)	Closing direction	Version	L (mm)	H1 (mm)	H (mm)	D (mm)	KxK1 (mm)	a (mm)	Number of turns	SxS (mm)	S1xS1 (mm)	PN 10		PN 16	
												Mass (kg)	References	Mass (kg)	References
200	Clockwise	Bare shaft	230	515	745	340	266x382	20	33	25.7	24.3	66.00	RDB20BBBH	66.00	RDB20BBAH
200	Clockwise	Cap	230	515	745	340	266x382	20	33	25.7	24.3	66.00	RDB20BABH	66.00	RDB20BAAH
250	Clockwise	Bare shaft	250	595	855	400	285x470	22	41.5	25.7	24.3	108.00	RDB25BBBH		
250	Clockwise	Bare shaft	25	595	855	400	285x470	22	41.5	25.7	24.3			108.00	RDB25BBAH
250	Clockwise	Cap	250	595	855	400	285x470	22	41.5	25.7	24.3	108.00	RDB25BABH	108.00	RDB25BAAH
300	Clockwise	Bare shaft	270	705	1010	455	305x538	24.5	50	25.7	24.3	155.00	RDB30BBBH	155.00	RDB30BBAH
300	Clockwise	Cap	270	705	1010	455	305x538	24.5	50	25.7	24.3	155.00	RDB30BACH	155.00	RDB30BAAH
350	Clockwise	Bare shaft	290	705	1043	520	305x538	26.5	50			175.00	RDB35BBBH	175.00	RDB35BBAH
350	Clockwise	Cap	290	705	1043	520	305x538	26.5	50			175.00	RDB35BABH	175.00	RDB35BAAH
400	Clockwise	Bare shaft	310	914	1258	580	348x686	28	70			298.00	REB40BBBH	298.00	REB40BBAH
400	Clockwise	Cap	310	914	1258	580	348x686	28	70			298.00	REB40BABH	298.00	REB40BAAH

Without ears



With ears



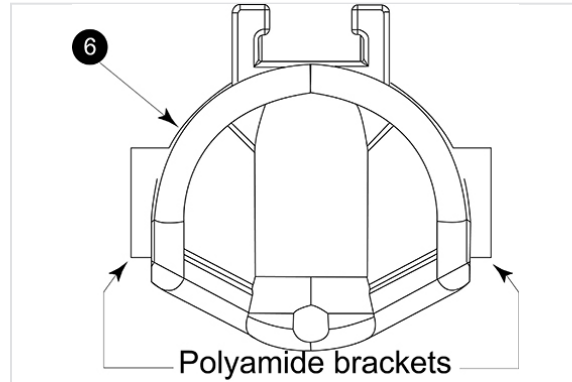
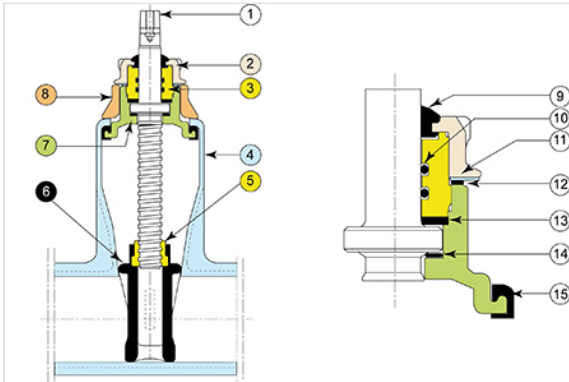
NF Mark (with flanges in short version S14 and long version S15)

SG Pam is authorized by CSTB to affix the NF Mark on this product (except DN350 and DN400). The product is in compliance with the following complementary standards and specifications:

- NF EN 1074-1 : Valves for water supply – Fitness for purpose requirements and appropriate verification tests – Part 1 : General requirements.
- NF EN 1074-2 : Valves for water supply – Fitness for purpose requirements and appropriate verification tests – Part 2 : Isolating Valves.

- NF 197 : Certification Rules of the NF Mark – Valves – Hydraulic Fountain Fittings.

Material and coating



Item	Designation	Material	Coating
1	Operating stem	Stainless steel type X20Cr13 acc. EN10088-3	
2	Bearing nut	Ductile Iron GS EN GJS 400-15 or 500-7 acc. EN 1563	EVA (Ethylene Vinyl Acetate) 250 microns mini
3	Bush	Brass type CuZn39Pb2 or CuZN40Pb2 acc. EN12164	
4	Body	Ductile Iron GS EN GJS 400-15 or 500-7 acc. EN 1563	Blue Epoxy (*)
5	Operating nut	Brass type CuZn39Pb2 or CuZN40Pb2 acc. EN12164	
6	Gate	Ductile iron acc. EN1563 and EN681-1 selon EN 1563	EPDM on ductile iron and polyamide brackets
7	Bonnet	Ductile Iron GS EN GJS 400-15 or 500-7 acc. EN 1563	Blue Epoxy (*)
8	Yoke	Ductile Iron GS EN GJS 400-15 or 500-7 acc. EN 1563	EVA (Ethylene Vinyl Acetate) 250 microns
9	Van O Fra	Chloropren class 60 WA category acc. EN 681-1	
10	Seal bush	Elastomer Nitrile NBR WRC 70	
11	Lock washer	Stainless steel 304 or X2CrMoTi18-2 acc. EN 10088	
12	Yoke-Bonnet- gasket	Nitrile NBR 70	
13	Bearing bonnet joint	Polyamide type PA 6-6	
14	Thrust washer	Polyamide type PA 6-6	
15	Body bonnet gasket	Elastomer EPDM acc. EN681-1	

(*) thickness 250 microns mini average according prescriptions of EN14901



Conformity to Standards

Product :

- NF EN 1074-2

Tests in factory :

- NF EN 12266-1

Face to face dimensions:

- EN 558-2 ISO 5752 serie 15 for type 21
- EN 558-2 ISO 5752 serie 14 for type 23

Flange drilling:

- EN 1092-2
- ISO 7005-2
- DIN 2501

The materials of the components and the epoxy coating satisfy the French and European standards in matter of potable water.

The information on this sketch is, to the best of our knowledge correct at the time of printing. However Saint-Gobain are constantly looking at ways of improving their products and services therefore reserve the right to change without prior notice, any of the data shown. Any orders placed will be subject to our Standard Conditions of Sale, available on request.