

EURO 20 NG Type BLUTOP

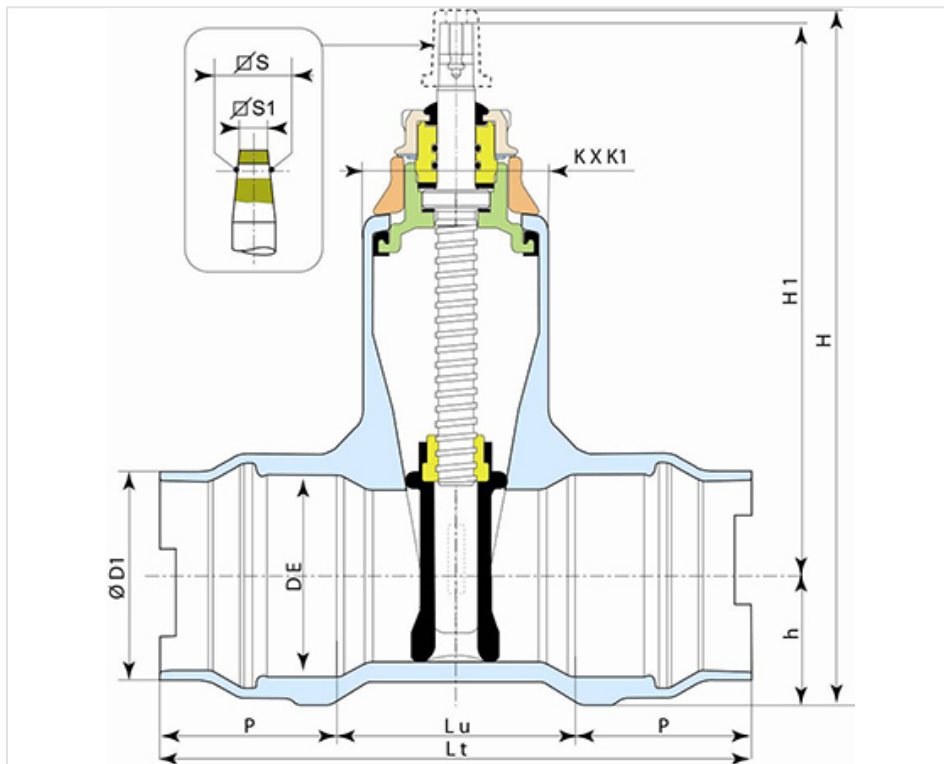


The EURO 20 type BLUTOP:

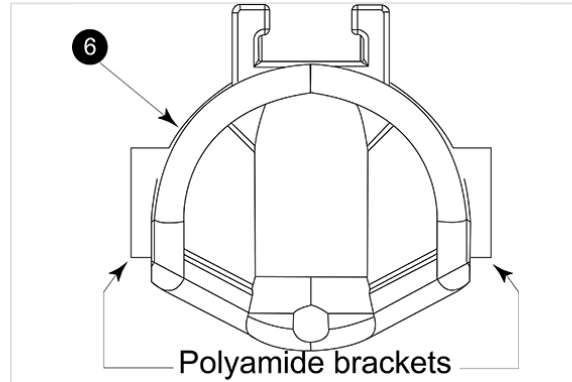
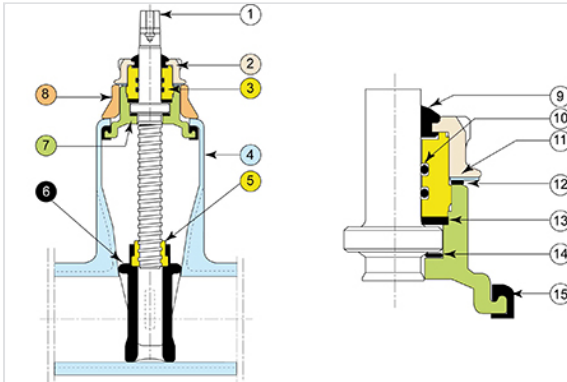
- is composed of a BE socket weld, PVC/PE tubes, and Blutop pipes
- type NG : DE75, 90, 110, 125 and 160

DN/OD (mm)	Closing direction	Version	Lt (mm)	Lu (mm)	P (mm)	ØD1 (mm)	H (mm)	H1 (mm)	h (mm)	KxK1 (mm)	Number of turns	SxS (mm)	S1xS1 (mm)	Mass (kg)	References
75	Anti-Clockwise	Cap	333	159	87	89.7	363	283	60	105x174	17	15.2	14	12.30	RDL75KDXH
75	Clockwise	Bare shaft	333	159	87	89.7	363	283	60	105x174	17	18.5	17	12.10	RDL75KBXH
90	Anti-Clockwise	Cap	333	135	99	126	361	275	66	105x174	17	15.2	14	12.80	RDL90KDXH
90	Clockwise	Bare shaft	333	135	99	126	361	275	66	105x174	17	18.5	17	12.60	RDL90KBXH
110	Anti-Clockwise	Cap	335	138	108.5	146.6	419.5	322	77.5	111x194	23	18.5	17	16.20	RDM11KDXH
110	Clockwise	Bare shaft	335	138	108.5	146.6	419.5	322	77.5	111x194	23	20.6	19	16.00	RDM11KBXH
125	Anti-Clockwise	Cap	374	144	115	163.2	487.5	382.5	85	126x220	28	18.5	17	22.80	RDM12KDXH
125	Clockwise	Bare shaft	374	144	115	163.2	487.5	382.5	85	126x220	28	20.6	19	22.60	RDM12KBXH
140	Anti-Clockwise	Cap	374	158	108	155.6	487.5	373.5	94	126x220	28	18.5	17	24.80	RDM14KDXH

DN/OD (mm)	Closing direction	Version	Lt (mm)	Lu (mm)	P (mm)	ØD1 (mm)	H (mm)	H1 (mm)	h (mm)	KxK1 (mm)	Number of turns	SxS (mm)	S1xS1 (mm)	Mass (kg)	References
140	Clockwise	Bare shaft	374	158	108	155.6	487.5	373.5	94	126x220	28	20.6	19	25.00	RDM14KBXH
160	Anti-Clockwise	Cap	387	159	114	175.3	535	410	105	136x257	32	20.6	19	30.00	RDM16KDXH
160	Clockwise	Bare shaft	387	159	114	175.3	535	410	105	136x257	32	20.6	19	29.80	RDM16KBXH



Material and coating



Item	Designation	Designation	Coating
1	Operating stem	Stainless steel type X20Cr13 acc. EN10088-3	
2	Bearing nut	Ductile Iron GS EN GJS 400-15 or 500-7 acc. EN 1563	EVA (Ethylene Vinyl Acetate) 250 microns mini
3	Bush	Brass type CuZn39Pb2 or CuZn40Pb2 acc. EN12164	
4	Body	Ductile Iron GS EN GJS 400-15 or 500-7 acc. EN 1563	Blue Epoxy (*)
5	Operating nut	Brass type CuZn39Pb2 or CuZn40Pb2 acc. EN12164	
6	Gate	Ductile iron acc. EN1563 and EN681-1 selon EN 1563	EPDM on ductile iron and polyamide brackets
7	Bonnet	Ductile Iron GS EN GJS 400-15 or 500-7 acc. EN 1563	Blue Epoxy (*)
8	Yoke	Ductile Iron GS EN GJS 400-15 or 500-7 acc. EN 1563	EVA (Ethylene Vinyl Acetate) 250 microns
9	Van O Fra	Chloropren class 60 WA category acc. EN 681-1	
10	Seal bush	Elastomer Nitrile NBR WRC 70	
11	Lock washer	Stainless steel 304 or X2CrMoTi18-2 acc. EN 10088	
12	Yoke-Bonnet- gasket	Nitrile NBR 70	
13	Bearing bonnet joint	Polyamide type PA 6-6	
14	Thrust washer	Polyamide type PA 6-6	
15	Body bonnet gasket	Elastomer EPDM acc. EN681-1	

(*) thickness 250 microns mini average according prescriptions of EN14901

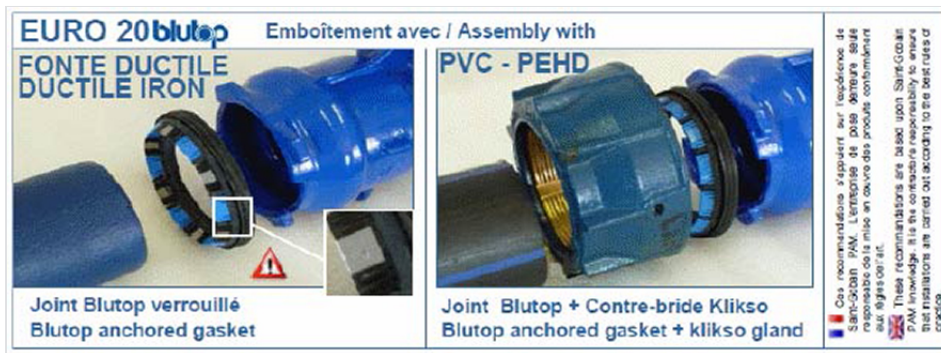
Type of joints

Pieces to be bought separately.

Material	Component	References					
		DE 75	DE 90	DE 110	DE 125	DE 140	DE 160
Ductile Iron	BLUTOP Vi gasket	JXL75CA	JXL90CA	JXM11CA	JXM12CA	JXM14CA	JXM16CA

Material	Component	References					
PVC or PE	BLUTOP gasket	JXL75BA	JXL90BA	JXM11BA	JXM12BA	JXM14BA	JXM16BA
PVC or PE	IZIFIT-K anchoring gland	-	-	-	-	JZM14VXNN2	JZM16VXNN2
PVC or PE	Izifit anchored gasket	JIL75CA	JIL90CA	JIM11CA	JIM12CA	-	-

Label



Conformity to Standards

Product :

- NF EN 1074-2

Tests in factory :

- NF EN 12266-1

Face to face dimensions:

- EN 558-2 ISO 5752 serie 15 for type 21
- EN 558-2 ISO 5752 serie 14 for type 23

Flange drilling:

- EN 1092-2
- ISO 7005-2
- DIN 2501

The materials of the components and the epoxy coating satisfy the French and European standards in matter of potable water.

The information on this sketch is, to the best of our knowledge correct at the time of printing. However Saint-Gobain are constantly looking at ways of improving their products and services therefore reserve the right to change without prior notice, any of the data shown. Any orders placed will be subject to our Standard Conditions of Sale, available on request.