

## EURO 20 Type 23 PFA10/16 - Sewage Version



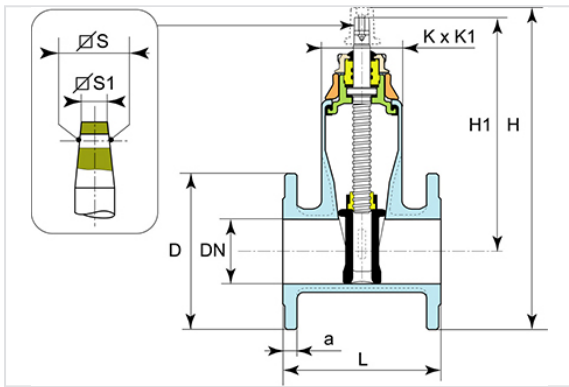
The EURO 20 type 23:

- is composed of flanges with reduced face to face dimensions (0.4 DN+ 150mm),
- NG type: DN65-250
- with ears from DN200

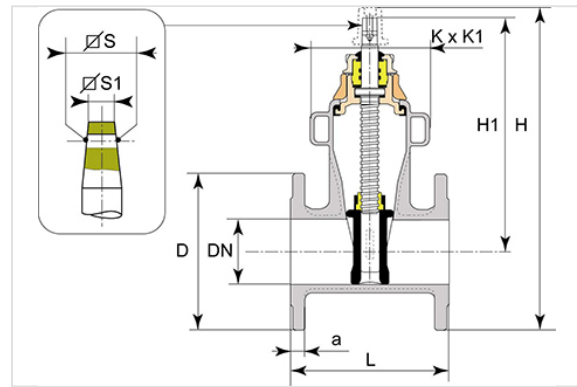
DN (mm)	Closing direction	Version	L (mm)	H1 (mm)	H (mm)	D (mm)	KxK1 (mm)	a (mm)	Number of turns	SxS (mm)	S1xS1 (mm)	PN 10		PN 16	
												Mass (kg)	References	Mass (kg)	References
40	Clockwise	Bare shaft	140	227	333	150	95x144	19	12.5	15.2	14.3	8.50	REA40PBCH	8.50	REA40PBCH
50	Clockwise	Bare shaft	150	222	335	165	95x144	19	12.5	15.2	14.3	10.50	REA50PBCH	10.50	REA50PBCH
65	Clockwise	Bare shaft	170	283	363	185	105x174	19	17	18.5	17	14.20	RDA65PNCH	14.20	RDA65PNCH
80	Clockwise	Bare shaft	180	275	361	200	105x174	19	17	18.5	17	15.50	RDA80PNCH	15.50	RDA80PNCH
100	Clockwise	Bare shaft	190	322	419.5	225	111x194	19	23	20.6	19	19.00	RDB10PNCH	19.00	RDB10PNCH
125	Clockwise	Bare shaft	200	382.5	487.5	250	126x220	19	28	20.6	19	25.60	RDB12PNCH	25.60	RDB12PNCH
150	Clockwise	Bare shaft	210	410	535	285	136x257	19	32	20.6	19	32.20	RDB15PNCH	32.20	RDB15PNCH
200	Clockwise	Bare shaft	230	515	745	340	266x382	20	33	25.7	24.3	66.00	RDB20PBBH	66.00	RDB20PBAH

DN (mm)	Closing direction	Version	L (mm)	H1 (mm)	H (mm)	D (mm)	KxK1 (mm)	a (mm)	Number of turns	SxS (mm)	S1xS1 (mm)	PN 10		PN 16	
												Mass (kg)	References	Mass (kg)	References
250	Clockwise	Bare shaft	250	595	855	400	285x470	22	41.5	25.7	24.3	108.00	RDB25PBBH	108.00	RDB25PBAH
300	Clockwise	Bare shaft	270	705	1010	455	305 x 538	24.5	50	25.7	24.3	155.00	RDB30PBBH	157.00	RDB30PBAH

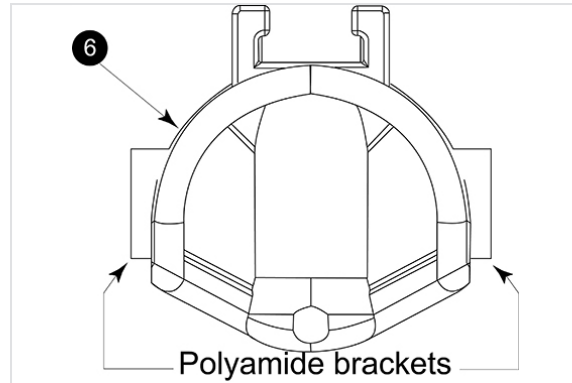
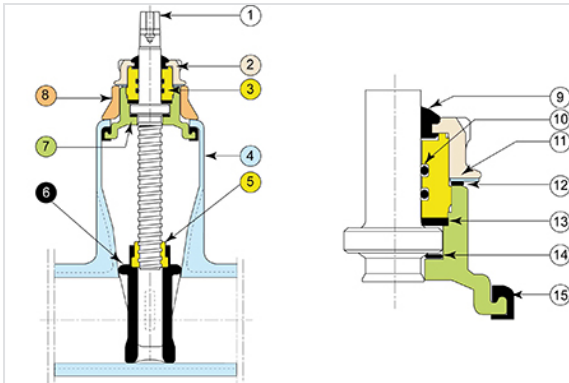
Without ears



With ears



### Material and coating



Item	Designation	Material	Coating
1	Operating stem	Stainless steel type X2CrNiMo17-12-2	
2	Bearing nut	Ductile iron	EVA (Ethylene Vinyl Acetate) 250 microns
3	Bush	Brass type CuZn39Pb2	
4	Body	Ductile iron	Epoxy powder mini 250 microns
5	Operating nut	Aluminium bronze CuAl10Ni3Fe2	
6	Gate	Ductile iron	Nitrile on ductile iron and polyamide brackets

Item	Designation	Material	Coating
7	Bonnet	Ductile iron	Epoxy powder mini 250 microns
8	Yoke	Ductile iron	EVA (Ethylene Vinyle Acetate) 250 microns
9	Van O Fra	Chloroprene	
10	Seal bush	Nitrile	
11	Lock washe	Steel type Z6 CN18.8	
12	Bonnet-check piece gasket	Nitrile	
13	Bearing bonnet joint	Polyamide type 6-6	
14	Thrust washer	Polyamide type 6-6	
15	Body bonnet gasket	Nitrile	

**Warning :** from DN65 up to 125 there are differences between the square top of the stem on anti-clockwise (ACC) and clockwise (CC) versions.

## Marking



On body:

- Nominal diameter in mm (DN),
- Nominal pressure in bar (PN).

On identification label:

- Reference of valve
- Closing direction (FSH / FAH)-nominal diameter (DN)-flange drilling
- Year and month of manufacture-number,
- Number of the norm

A label certifies the conformity of EURO 20 with flanges to the quality norm.

The letter T indicates that the gate-valve has satisfied the hydraulic tests made at the end of the manufacture process.

*The information on this sketch is, to the best of our knowledge correct at the time of printing. However Saint-Gobain are constantly looking at ways of improving their products and services therefore reserve the right to change without prior notice, any of the data shown. Any orders placed will be subject to our Standard Conditions of Sale, available on request.*