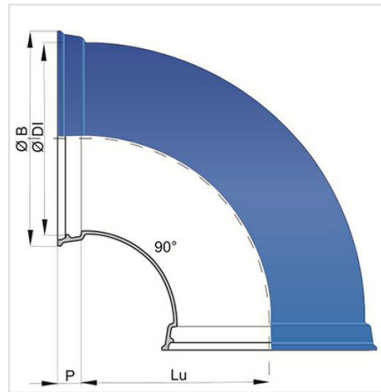


Bend 90° (1/4) (PECB) with 2 sockets EXPRESS



Angle	DN (mm)	Lu (mm)	P (mm)	ØDI (mm)	ØB (mm)	Mass (kg)	References
90°	350	365	110	381.9	462	75.81	SEB35CA00TT2
90°	400	409	110	432.9	514	96.39	SEB40CA00TT2
90°	450	455	120	484	575.4	129.47	SEB45CA00TT2
90°	500	495	120	536	627	156.14	SEB50CA00TT2
90°	600	624	120	636.6	737.5	312.00	SEB60CA00TT

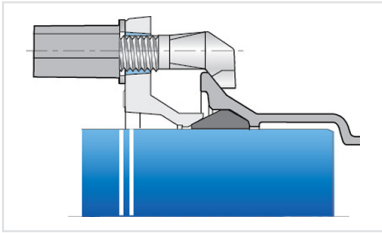
Field of use:

- For drinking water and irrigation networks
- For aggressive soils (maritime soils, peaty, ...)

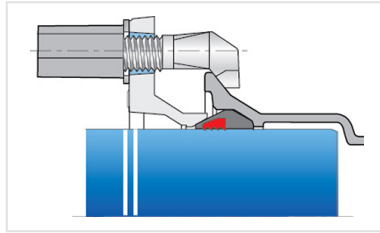
Main characteristics:

- External and internal coating : Blue epoxy powder 250 microns average thickness with a minimum of 200 microns, conforming to EN 14901-1 (PECB)
- In conformity with EN 545:2010 and ISO 2531:2009

Linked products



Kit Express Fittings PECB +
Express Gasket



Kit Express Fitting PECB +
Express Vi Gasket

The information on this sketch is, to the best of our knowledge correct at the time of printing. However Saint-Gobain are constantly looking at ways of improving their products and services therefore reserve the right to change without prior notice, any of the data shown. Any orders placed will be subject to our Standard Conditions of Sale, available on request.