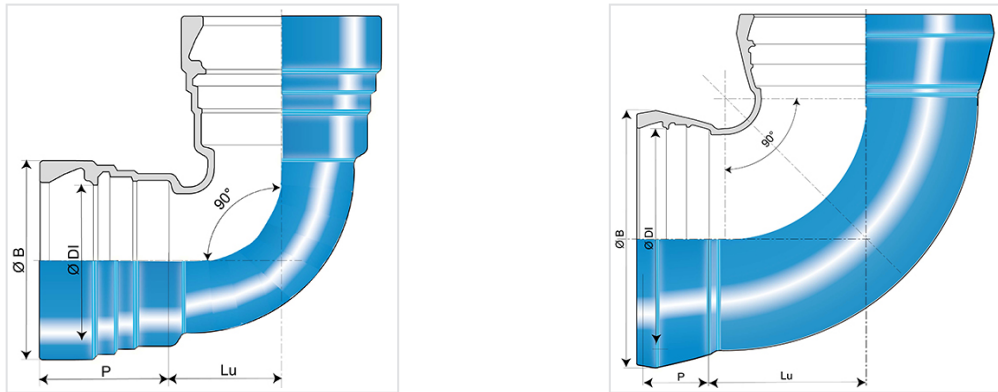


Bend 90° (1/4) (PECB) with 2 sockets UNIVERSAL STANDARD



Angle	DN (mm)	Lu (mm)	P (mm)	ØDI (mm)	ØB (mm)	Mass (kg)	References
90°	200	226	158	225.5	290	47.80	SFB20CA00TT
90°	250	277.5	166	276.8	347	64.80	SFB25CA00TT
90°	300	329	178	328.8	406	95.00	SFB30CA00TT
90°	400	430	176	432	512	141.00	SFB40CA00TT
90°	500	550	200	535	626	234.70	SFB50CA00TT
90°	600	645	209	638	742	350.30	SFB60CA00TT
90°	1200	1200	279.5	1263	1424	2750.00	SFC12CA00TT

(*) consult us

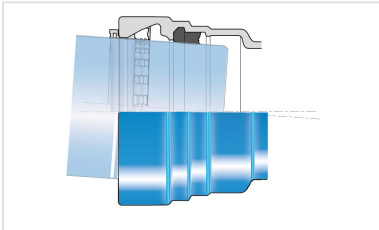
Field of use:

- To use under high to very high pressures

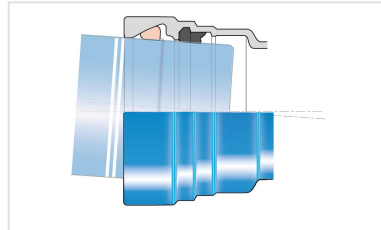
Main characteristics:

- External and internal coating : Blue epoxy powder 250 microns average thickness with a minimum of 200 microns, conforming to EN 14901-1 (PECB)
- In conformity with EN 545:2010 and ISO 2531:2009

Linked products



Kit Universal Standard
Fitting PECB + Universal
Standard Vi Joint



Kit Universal Standard
Fitting PECB + Universal
Standard Ve Joint

The information on this sketch is, to the best of our knowledge correct at the time of printing. However Saint-Gobain are constantly looking at ways of improving their products and services therefore reserve the right to change without prior notice, any of the data shown. Any orders placed will be subject to our Standard Conditions of Sale, available on request.