

## EURO 20 NG TYPE 25

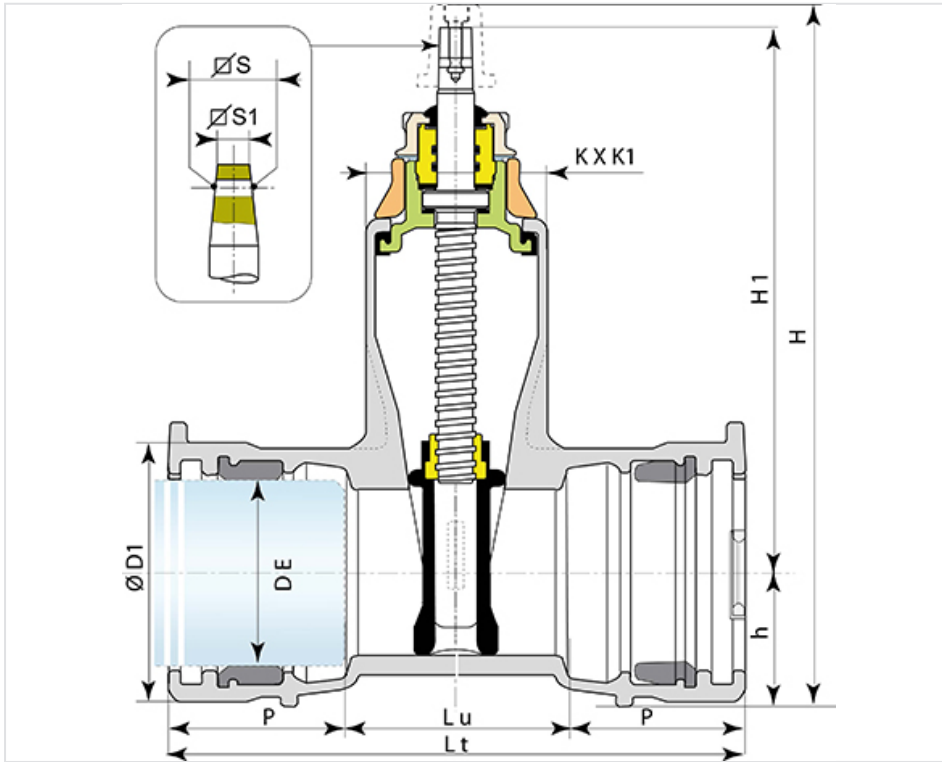


The EURO 20 type 25:

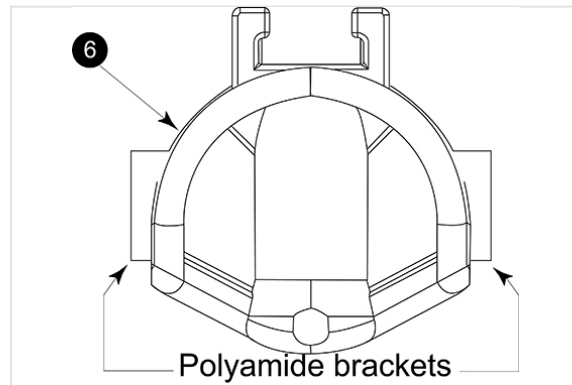
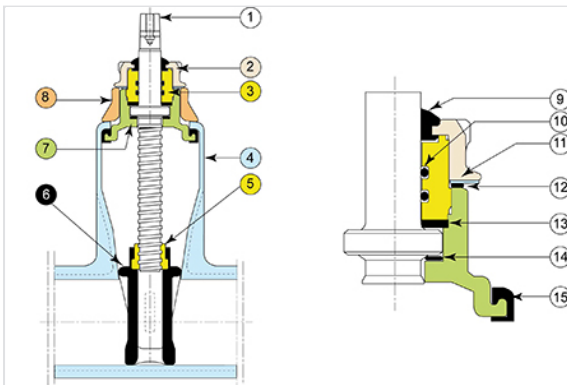
- is composed of a BE socket weld for cast iron pipe and two tyton watertightness gaskets
- type NG: DN80-200

DN (mm)	ØDE (mm)	Closing direction	Version	Lt (mm)	Lu (mm)	P (mm)	ØD1 (mm)	H1 (mm)	H (mm)	h (mm)	KxK1 (mm)	Number of turns	SxS (mm)	S1xS1 (mm)	PFA 16 bar	
															Mass (kg)	References
80	98	Anti- Clockwise	Bare shaft	333	165	84	141	274	370	74	105x174	17	15.2	14.3	15.30	RDA80DDXH
80	98	Clockwise	Bare shaft	333	165	84	141	274	370	74	105x174	17	18.5	17.3	15.30	RDA80DBXH
100	118	Anti- Clockwise	Bare shaft	355	179	88	161	322	428	84	111x194	23	18.5	17.3	19.30	RDB10DDXH
100	118	Clockwise	Bare shaft	355	179	88	161	322	428	84	111x194		20.6	19.3	19.30	RDB10DBXH
125	144	Anti- Clockwise	Bare shaft	374	192	91	189	372.5	493	98	126x220	28	18.5	17.3	27.30	RDB12DDXH
150	177	Anti- Clockwise	Bare shaft	387	199	94	212	410	542	110	136x257	32	20.6	19.3	33.70	RDB15DDXH
150	177	Clockwise	Bare shaft	387	199	94	212	410	542	110	136x257	32	20.6	19.3	33.70	RDB15DBXH
200	225	Clockwise	Bare shaft	440	182	129	272	512	674	139	183x372	33	25.7	24.3	70.00	164979

(\* ) contact us



### Material and coating



Item	Designation	Material	Coating
1	Operating stem	Stainless steel type X20Cr13 acc. EN10088-3	
2	Bearing nut	Ductile Iron GS EN GJS 400-15 or 500-7 acc. EN 1563	EVA (Ethylene Vinyl Acetate) 250 microns mini
3	Bush	Brass type CuZn39Pb2 or CuZn40Pb2 acc. EN12164	
4	Body	Ductile Iron GS EN GJS 400-15 or 500-7 acc. EN 1563	Blue Epoxy (*)

Item	Designation	Material	Coating
5	Operating nut	Brass type CuZn39Pb2 or CuZn40Pb2 acc. EN12164	
6	Gate	Ductile iron acc. EN1563 and EN681-1 selon EN 1563	EPDM on ductile iron and polyamide brackets
7	Bonnet	Ductile Iron GS EN GJS 400-15 or 500-7 acc. EN 1563	Blue Epoxy (*)
8	Yoke	Ductile Iron GS EN GJS 400-15 or 500-7 acc. EN 1563	EVA (Ethylene Vinyl Acetate) 250 microns
9	Van O Fra	Chloropren class 60 WA category acc. EN 681-1	
10	Seal bush	Elastomer Nitrile NBR WRC 70	
11	Lock washer	Stainless steel 304 or X2CrMoTi18-2 acc. EN 10088	
12	Yoke-Bonnet- gasket	Nitrile NBR 70	
13	Bearing bonnet joint	Polyamide type PA 6-6	
14	Thrust washer	Polyamide type PA 6-6	
15	Body bonnet gasket	Elastomer EPDM acc. EN681-1	

(\*) thickness 250 microns mini average according prescriptions of EN14901

## Conformity to Standards

Product :

- NF EN 1074-2

Tests in factory :

- NF EN 12266-1

Face to face dimensions:

- EN 558-2 ISO 5752 serie 15 for type 21
- EN 558-2 ISO 5752 serie 14 for type 23

Flange drilling:

- EN 1092-2
- ISO 7005-2
- DIN 2501

The materials of the components and the epoxy coating satisfy the French and European standards in matter of potable water.

*The information on this sketch is, to the best of our knowledge correct at the time of printing. However Saint-Gobain are constantly looking at ways of improving their products and services therefore reserve the right to change without prior notice, any of the data shown. Any orders placed will be subject to our Standard Conditions of Sale, available on request.*