

EURO 20 NG Type 27

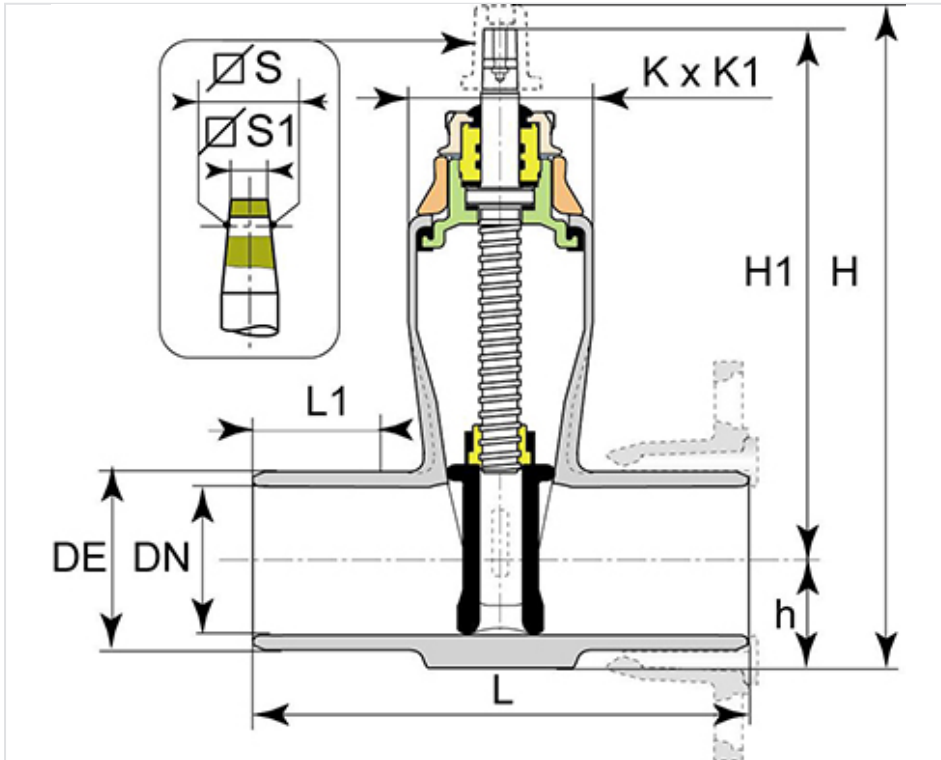


The EURO 20 type 27:

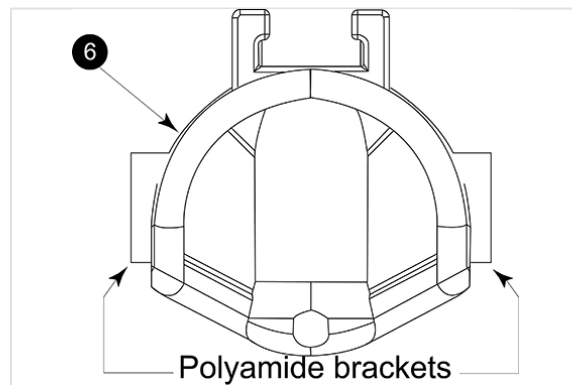
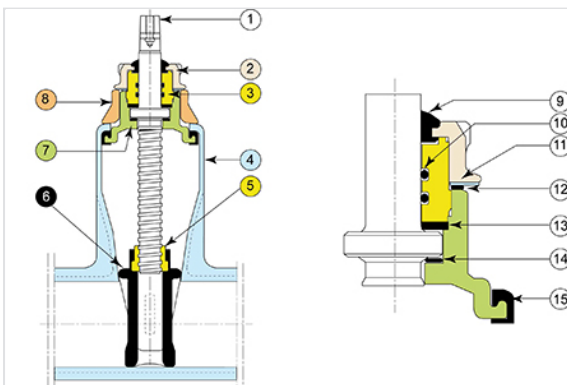
- composed of a flanged spigot for ductile iron pipes
- type NG : DN65-150

DN (mm)	Closing direction	Version	ØDE (mm)	L (mm)	L1 (mm)	H1 (mm)	H (mm)	h (mm)	KxK1 (mm)	SxS (mm)	S1xS1 (mm)	Mass (kg)	References
65	Anti-Clockwise	Cap	77	267	83.5	275	345	50	105x174	15.2	14	10.20	RDA65FDXH
80	Clockwise	Bare shaft	98	277	83.5	275	355	60	105x174	18.5	17	11.80	RDA80FBXH
100	Clockwise	Bare shaft	118	297	92.5	323	413	70	111x194	20.6	19	15.10	RDB10FBXH
150	Anti-Clockwise	Cap	170	347	106.5	410	525	95	136x257	20.6	19	30.10	RDB15FDXH
150	Clockwise	Bare shaft	170	347	106.5	410	525	95	136x257	20.6	19	30.10	RDB15FBXH

(* please contact us



Material and coating



Item	Designation	Material	Coating
1	Operating stem	Stainless steel type X20Cr13 acc. EN10088-3	
2	Bearing nut	Ductile Iron GS EN GJS 400-15 or 500-7 acc. EN 1563	EVA (Ethylene Vinyl Acetate) 250 microns mini
3	Bush	Brass type CuZn39Pb2 or CuZN40Pb2 acc. EN12164	
4	Body	Ductile Iron GS EN GJS 400-15 or 500-7 acc. EN 1563	Blue Epoxy (*)

Item	Designation	Material	Coating
5	Operating nut	Brass type CuZn39Pb2 or CuZn40Pb2 acc. EN12164	
6	Gate	Ductile iron acc. EN1563 and EN681-1 selon EN 1563	EPDM on ductile iron and polyamide brackets
7	Bonnet	Ductile Iron GS EN GJS 400-15 or 500-7 acc. EN 1563	Blue Epoxy (*)
8	Yoke	Ductile Iron GS EN GJS 400-15 or 500-7 acc. EN 1563	EVA (Ethylene Vinyl Acetate) 250 microns
9	Van O Fra	Chloropren class 60 WA category acc. EN 681-1	
10	Seal bush	Elastomer Nitrile NBR WRC 70	
11	Lock washer	Stainless steel 304 or X2CrMoTi18-2 acc. EN 10088	
12	Yoke-Bonnet- gasket	Nitrile NBR 70	
13	Bearing bonnet joint	Polyamide type PA 6-6	
14	Thrust washer	Polyamide type PA 6-6	
15	Body bonnet gasket	Elastomer EPDM acc. EN681-1	

(*) thickness 250 microns mini average according prescriptions of EN14901

Conformity to Standards

Product :

- NF EN 1074-2

Tests in factory :

- NF EN 12266-1

Face to face dimensions:

- EN 558-2 ISO 5752 serie 15 for type 21
- EN 558-2 ISO 5752 serie 14 for type 23

Flange drilling:

- EN 1092-2
- ISO 7005-2
- DIN 2501

The materials of the components and the epoxy coating satisfy the French and European standards in matter of potable water.

The information on this sketch is, to the best of our knowledge correct at the time of printing. However Saint-Gobain are constantly looking at ways of improving their products and services therefore reserve the right to change without prior notice, any of the data shown. Any orders placed will be subject to our Standard Conditions of Sale, available on request.