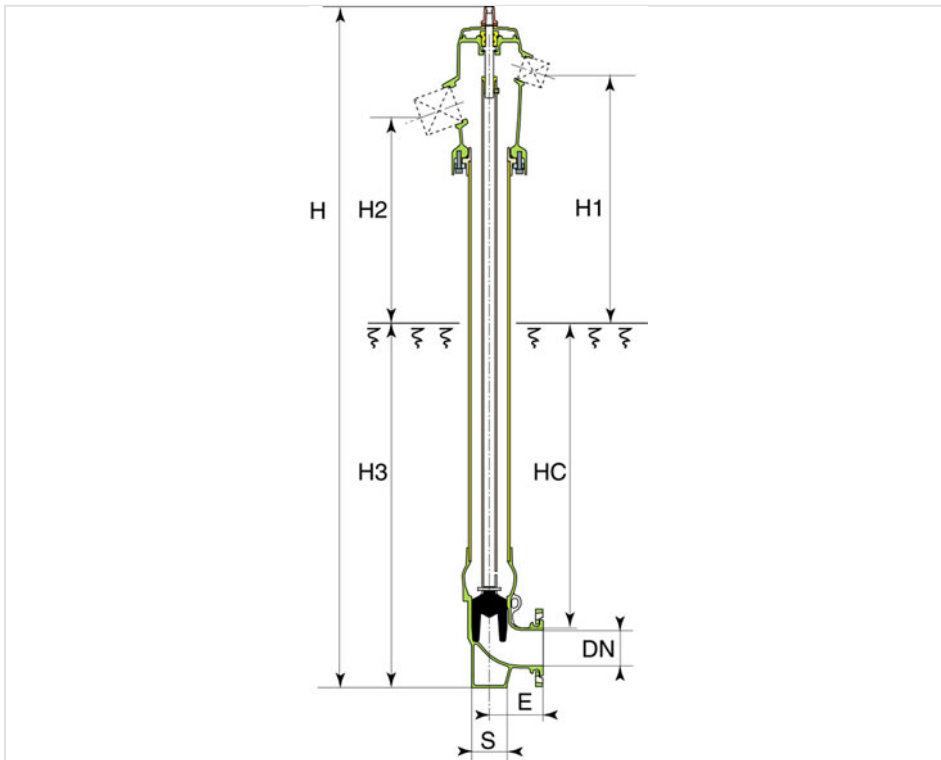


## Fire hydrant C9+ Non Traffic DN100 - NFPA outlets



- Operating square cap 30x30mm
- Bended valve box
- Automatic drainage function
- Outlets: 2 NFPA lateral outlets and 1 NFPA frontal outlet

DN (mm)	Version	Outlets	P=HC (mm)	H (mm)	H1 (mm)	H2 (mm)	H3 (mm)	E (mm)	S (mm)	Mass (kg) (kg)	References
100	Bended box	2xNFPA 194 2"½ + 1xNFPA 194 4"½-4"	1006	1924	555	450	1175	152	100 x 90	77.00	RYB10DEBWF



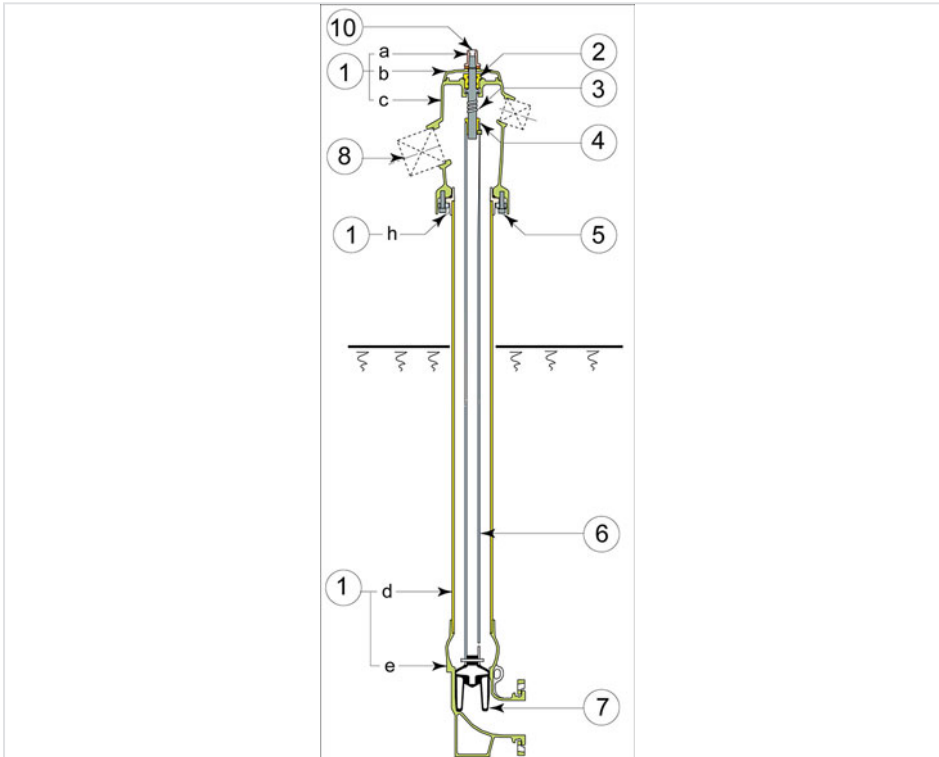
## Field of use

Fire hydrants pillar or underground type are designed, according to applicable standards and regulations, for exclusive use of fire protection and using drinking water or raw water network.

They must be handled and used in strict compliance with the recommendations and best practice by personnel trained with these recommendations.

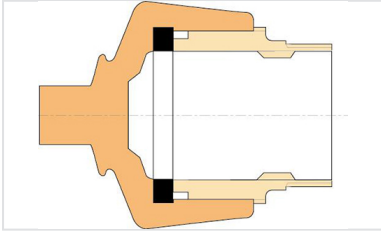
These devices must be inspected periodically (as required by regulations or recommended instructions) to verify and maintain their proper and safe operation.

**Material and coating**



Item	Designation	Material	Coating
1	1a -Operating cap	Ductile iron GS EN GJS 400-15 or 500-7 EN 1563	Dacromet + grey Polyurethane 20 µm
	1c -Upper body	Ductile iron GS EN GJS 400-15 or 500-7 EN 1563	Epoxy powder 250 µm + red Polyurethane 40 µm
	1d-Extension tube	Ductile iron GS EN GJS 400-15 or 500-7 EN 1563	Epoxy powder 250 µm + red Polyurethane 40 µm on 300 mm
	1e -Duck foot	Ductile iron GS EN GJS 400-15 or 500-7 EN 1563	Epoxy powder 250 µm
	1b- Cover	ABS	Red polyurethane paint
2	Upper and lower bush	Brass type Cu Zn 39 Pb 2EN 12164	
3	Operating stem	Steel type X20 Cr 13 EN 10088-3	
4	Operating nut	Brass type Cu Zn 40 Pb 2 EN 12164	
5	Fixing screw	Steel type CL 8/8	Dacromet
6	Operating rod	Steel type Tu 56 B	Galvanized
7	Valve	Ductile iron GS EN GJS 400-15 or 500-7 EN 1563	Encapsulated EPDM
8	Outlets	Depending on models	
10	Screw CHC M 8 x 25	Steel type CL 8/8	Bichromated zinc

Notice [NPPI 02 A](#)



NFPA outlet

*The information on this sketch is, to the best of our knowledge correct at the time of printing. However Saint-Gobain are constantly looking at ways of improving their products and services therefore reserve the right to change without prior notice, any of the data shown. Any orders placed will be subject to our Standard Conditions of Sale, available on request.*