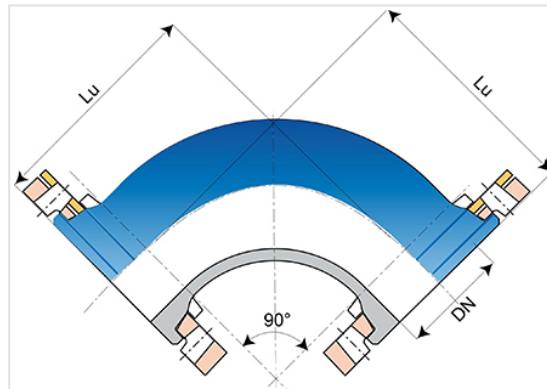


## Flanged 90° Bend with rotatable flanges (PECB) "PROCESS" for restrained and not restrained pipes DN100-300 PN16



Ductile iron networks for fire protection

Angle	DN (mm)	Lu (mm)	PN	Mass (kg)	References
90°	100	180	16	12.20	BAB10CA10TTF
90°	150	220	16	23.00	BAB15CA10TTF
90°	200	260	16	37.50	BAB20CA20TTF
90°	250	350	16	58.00	BAB25CA20TTF
90°	300	400	16	83.00	BAB30CA20TTF

### Field of use:

- Any fire protection networks, restrained or not, buried
- Installation in any industrial sites or other works of civil engineering

### Main characteristics:

- Pressure strength: tests according to FM Approval CN1610 (see label below)
- Internal and external coating: blue Epoxy Powder 250µm (PECB)
- FM Approval (Factory Mutual System)

## Marking :

- The indicated values indicate the pressure tests with or without restraining.
- The certification tests FM are realized according to the FM approvals Class number 1610 (September 2006) referential.
- Marking on high durability engraved laser acrylate label.



DN100-150

*The information on this sketch is, to the best of our knowledge correct at the time of printing. However Saint-Gobain are constantly looking at ways of improving their products and services therefore reserve the right to change without prior notice, any of the data shown. Any orders placed will be subject to our Standard Conditions of Sale, available on request.*