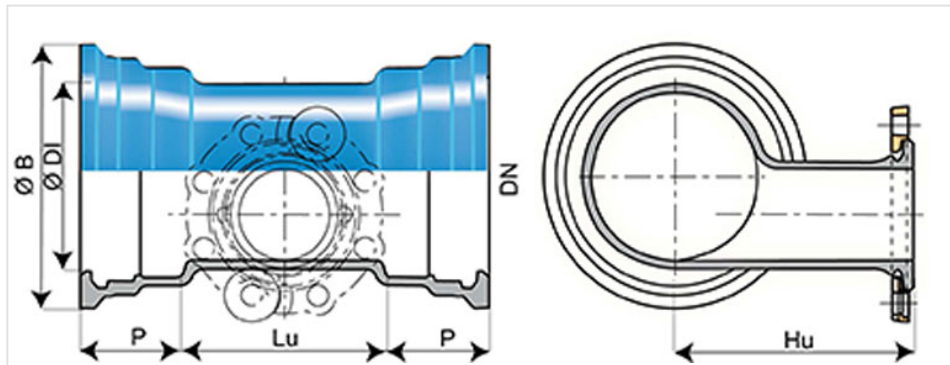


Invert Level Tee (PECB) with 2 sockets STANDARD and Rotatable Flange branch



DN (mm)	Ødn (mm)	Lu (mm)	Hu (mm)	P (mm)	ØDI (mm)	ØB (mm)	PN 10		PN 16		PN 25		PN 40	
							Mass (kg)	References	Mass (kg)	References	Mass (kg)	References	Mass (kg)	References
400	100	226	365	112	432.4	515.3	69.00	SSB40UT1FTT	69.00	SSB40UT1FTT	70.00	SSB40UT3FTT	70.00	SSB40UT3FTT
500	150	348	400	117.5	535.5	628	136.00	SSB50UT1JTT	136.00	SSB50UT1JTT	138.00	SSB50UT3JTT	138.00	SSB50UT3JTT
600	150	354	450	132.5	638.6	737	162.00	SSB60UT1JTT	162.00	SSB60UT1JTT				
700	200	585	500	150	742.2	861	305.90	SSB70UT1KTT	306.10	SSB70UT2KTT	296.18	SSB70UT3KTT		
800	200	575	540	160	846.3	972	426.00	SSB80UT1KTT	426.00	SSB80UT2KTT	490.00	SSB80UT3KTT		
900	200	595	580	175	949.4	1080	542.00	SSB90UT1KTT	542.00	SSB90UT2KTT	471.00	SSB90UT3KTT		
1000	200	598.5	630	185	1052.5	1189	520.00	SSC10UT1KTT	520.00	SSC10UT2KTT	520.00	SSC10UT3KTT		
1100	300	822.5	838	150	1152	1298			977.30	SSC11UT2MTT				
1200	200	855	700	195	1263	1412	1083.00	SSC12UT1KTT	1084.00	SSC12UT2KTT	1085.00	SSC12UT3KTT		
1200	300	855	720	195	1263	1412	964.00	SSC12UT1MTT	964.00	SSC12UT2MTT	964.00	SSC12UT3MTT		
1400	300	1010	850	255	1467	1600	1555.00	SSC14UT1MTT	1555.00	SSC14UT2MTT	1990.00	SSC14UT3MTT		
1400	250	1010	800	255	1467	1600			1455.00	SSC14UT2LTT				
1600	300	1050	950	275	1673	1820			2170.00	SSC16UT2MTT	2170.00	SSC16UT3MTT		
1600	400	1050	1005	275	1673	1820			1933.00	SSC16UT2NTT				

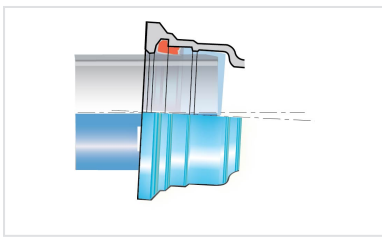
Field of use:

- For drinking water and irrigation networks
- For aggressive soils (maritime soils, peaty, ...)

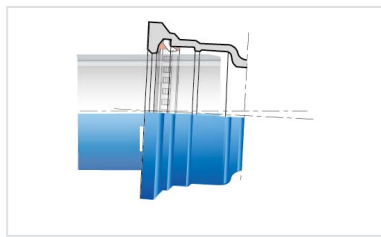
Main characteristics:

- External and internal coating : Blue epoxy powder 250 microns average thickness with a minimum of 200 microns, conforming to EN 14901-1 (PECB)
- In conformity with EN 545:2010 and ISO 2531:2009

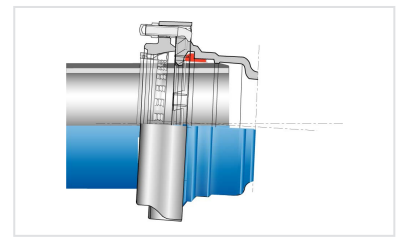
Linked products



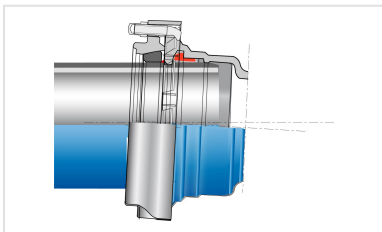
Kit Level Invert Tee with flange branch + Standard Gasket



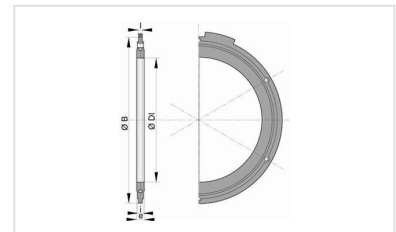
Kit Standard Fitting PECB + Standard Vi Gasket



Kit Standard Fitting PECB + Standard V+i Joint



Kit Standard Fitting PECB + Standard Ve Joint



Flanged joint with hot galvanized steel bolts, nuts and washers

The information on this sketch is, to the best of our knowledge correct at the time of printing. However Saint-Gobain are constantly looking at ways of improving their products and services therefore reserve the right to change without prior notice, any of the data shown. Any orders placed will be subject to our Standard Conditions of Sale, available on request.