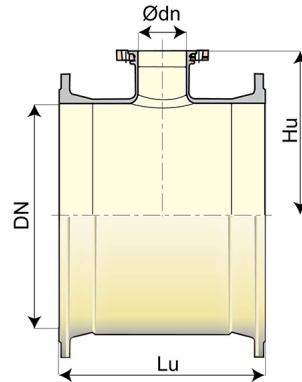


Tee PUR PUX with 2 Fixed Flanges and Rotatable Flange branch



				PN 10	
DN (mm)	Ødn (mm)	Lu (mm)	Hu (mm)	Mass (kg)	References
1600	600	1610	1090	2186.00	BBC16UE1RUU
2000	600	1700	1315	3384.00	BBC20UE1RUU

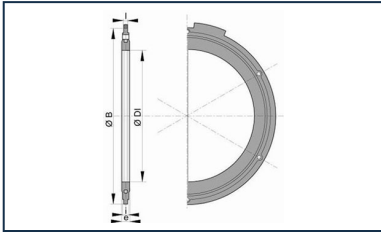
Field of use:

- Aggressive or soft waters
- For high corrosive soils, industrial pollution zones

Main characteristics:

- Internal-external coating : polyurethane coating in accordance with Standard EN 15655
- In conformity with EN 545:2010 and ISO 2531:2009

Linked products



Flanged joint with hot galvanized steel bolts, nuts and washers

The information on this sketch is, to the best of our knowledge correct at the time of printing. However Saint-Gobain are constantly looking at ways of improving their products and services therefore reserve the right to change without prior notice, any of the data shown. Any orders placed will be subject to our Standard Conditions of Sale, available on request.