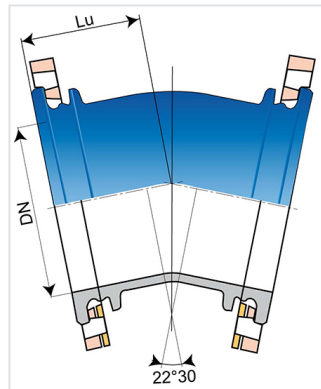


Flanged 22°30 Bend with rotatable flanges (PECB) "PROCESS" for restrained and not restrained pipes DN100-300 PN16



Ductile iron networks for fire protection

Angle	DN (mm)	Lu (mm)	PN	Mass (kg)	References
22°30	100	110	16	11.00	BAB10CD10TTF
22°30	150	109	16	18.20	BAB15CD10TTF
22°30	200	131	16	27.00	BAB20CD20TTF
22°30	250	190	16	44.50	BAB25CD20TTF
22°30	300	210	16	58.30	BAB30CD20TTF

Field of use:

- Any fire protection networks, restrained or not, buried
- Installation in any industrial sites or other works of civil engineering

Main characteristics:

- Pressure strength: tests according to FM Approval CN1610 (see label below)
- Internal and external coating: blue Epoxy Powder 250µm (PECB)
- FM Approval (Factory Mutual System)

Marking :

- The indicated values indicate the pressure tests with or without restraining.
- The certification tests FM are realized according to the FM approvals Class number 1610 (September 2006) referential.
- Marking on high durability engraved laser acrylate label.



DN100-150

The information on this sketch is, to the best of our knowledge correct at the time of printing. However Saint-Gobain are constantly looking at ways of improving their products and services therefore reserve the right to change without prior notice, any of the data shown. Any orders placed will be subject to our Standard Conditions of Sale, available on request.