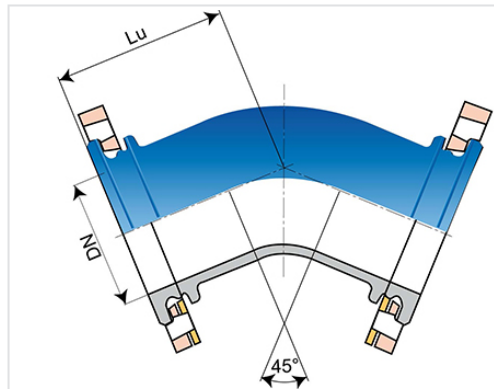


Flanged 45° Bend with rotatable flanges (PECB) "PROCESS" for restrained and not restrained pipes DN100-300 PN16



Ductile iron networks for fire protection

Angle	DN (mm)	Lu (mm)	PN	Mass (kg)	References
45°	100	140	16	10.70	BAB10CB10TTF
45°	150	160	16	19.00	BAB15CB10TTF
45°	200	180	16	31.00	BAB20CB20TTF
45°	250	245	16	45.30	BAB25CB20TTF
45°	300	275	16	61.20	BAB30CB20TTF

Field of use:

- Any fire protection networks, restrained or not, buried
- Installation in any industrial sites or other works of civil engineering

Main characteristics:

- Pressure strength: tests according to FM Approval CN1610 (see label below)
- Internal and external coating: blue Epoxy Powder 250µm (PECB)
- FM Approval (Factory Mutual System)

Marking :

- The indicated values indicate the pressure tests with or without restraining.
- The certification tests FM are realized according to the FM approvals Class number 1610 (September 2006) referential.
- Marking on high durability engraved laser acrylate label.



DN100-150

The information on this sketch is, to the best of our knowledge correct at the time of printing. However Saint-Gobain are constantly looking at ways of improving their products and services therefore reserve the right to change without prior notice, any of the data shown. Any orders placed will be subject to our Standard Conditions of Sale, available on request.