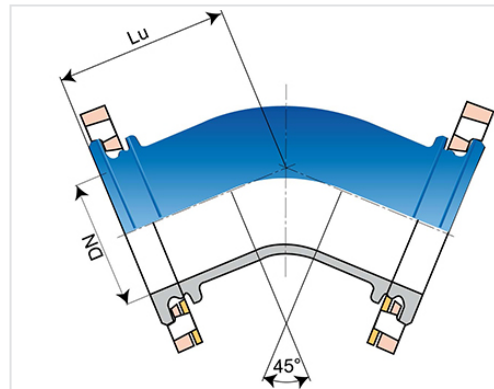


Flanged 45° Bend with rotatable flanges (PECB) "PROCESS" for restrained and not restrained pipes DN100-400 PN25



Ductile iron networks for fire protection

Angle	DN (mm)	Lu (mm)	PN	Mass (kg)	References
45°	100	140	25	13.60	BAB10CB30TTF
45°	150	160	25	23.00	BAB15CB30TTF
45°	200	180	25	33.40	BAB20CB30TTF
45°	300	275	25	68.80	BAB30CB30TTF
45°	400	337	25	151.00	BAB40CB30TTF

Field of use:

- Any fire protection networks, restrained or not, buried
- Installation in any industrial sites or other works of civil engineering

Main characteristics:

- Pressure strength: tests according to FM Approval CN1610 (see label below)
- Internal and external coating: blue Epoxy Powder 250µm (PECB)
- FM Approval (Factory Mutual System)

Marking :

- The indicated values indicate the pressure tests with or without restraining.
- The certification tests FM are realized according to the FM approvals Class number 1610 (September 2006) referential.
- Marking on high durability engraved laser acrylate label.



DN100-300



DN400

The information on this sketch is, to the best of our knowledge correct at the time of printing. However Saint-Gobain are constantly looking at ways of improving their products and services therefore reserve the right to change without prior notice, any of the data shown. Any orders placed will be subject to our Standard Conditions of Sale, available on request.