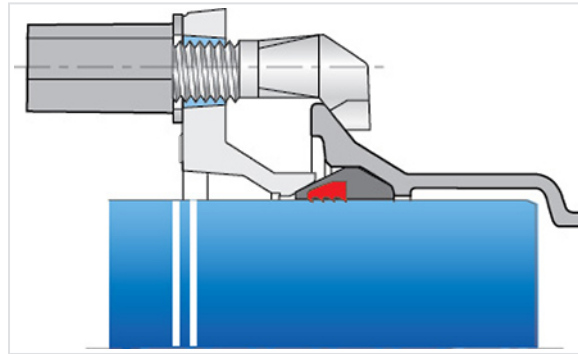


Kit Express Fitting PECB + Express Vi Gasket



Express Collar

DN	Weight of Kit	References
60	11.76 kg	SEA60MN00TT-S07
100	13.9 kg	SEB10MN00TT-S07
125	16.52 kg	SEB12MN00TT-S07
150	19.96 kg	SEB15MN00TT-S07
200	34.94 kg	SEB20MN00TT-S07
250	78.44 kg	SEB25MN00TT-E07
300	103.72 kg	SEB30MN00TT-E07

Express Double Socket Tee with flanged branch

DN	Ø dn	PN	Weight of Kit	References
250	150	10 16	93.54 kg	SEB25UD1JTT2-E07
300	200	10	132.22 kg	SEB30UD1KTT2-E07

DN mm	PFA bar
60	16
80	16
100	16
125	16
150	16
200	16

DN	PFA
mm	bar
250	16
300	16

* PFA with STANDARD pipe C40

Linked products



Express Vi Kit for Express Pipes and Fittings DN300



Express New Vi Kit for Express Pipes and Fittings DN60-250

The information on this sketch is, to the best of our knowledge correct at the time of printing. However Saint-Gobain are constantly looking at ways of improving their products and services therefore reserve the right to change without prior notice, any of the data shown. Any orders placed will be subject to our Standard Conditions of Sale, available on request.