

## Large orifice Air Valve Type S



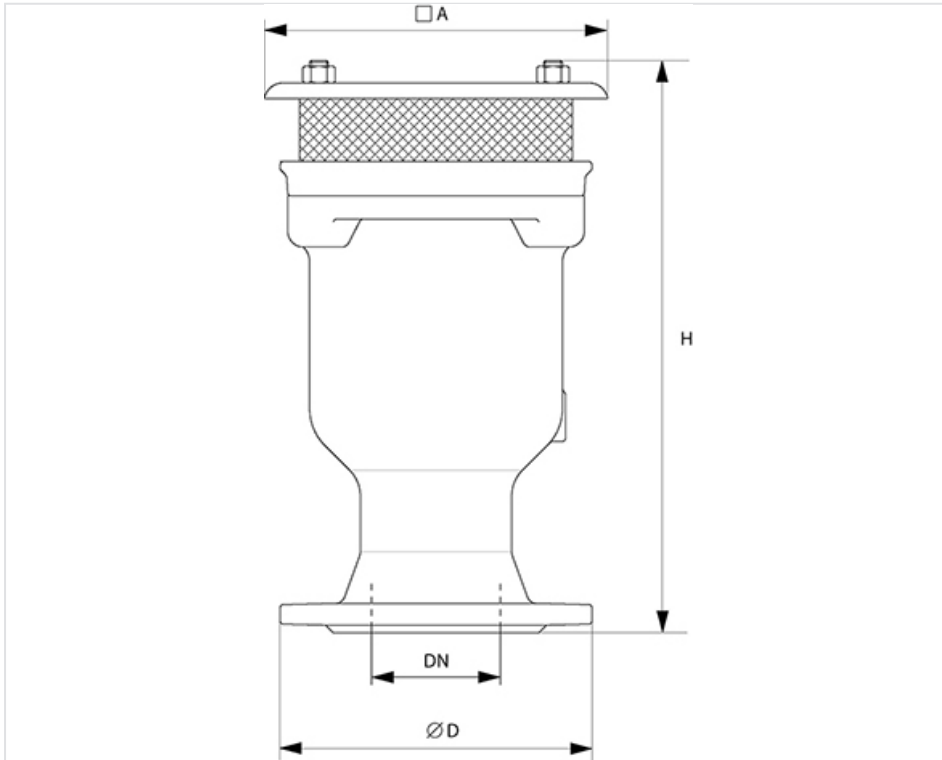
### Low pressure air relief valve (simple effect):

The device evacuates great air amounts during the filling of the piping or allows the inlet of great air amounts (in order to avoid a vacuum effect) during the emptying of the piping.

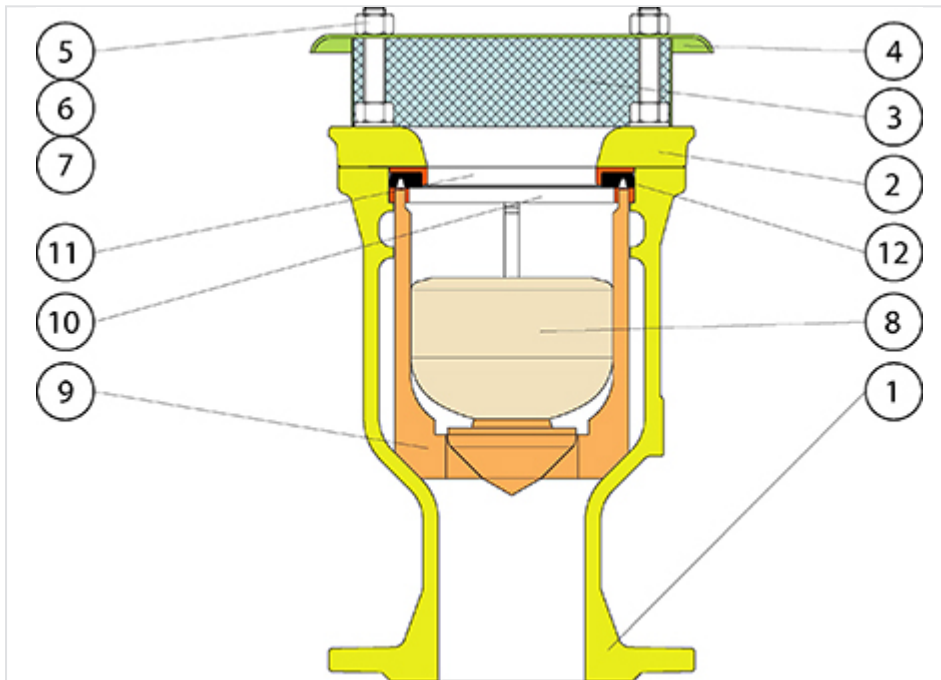
### Range

DN50, 60, 65 and 80 PN10-16-25

Version	DN (mm)	PN	A (mm)	H (mm)	ØD (mm)	Mass (kg)	References
4000S	50	10 - 25	150	275	165	9.00	203930
4000S	65	10 - 16	150	275	185	9.00	203935
4000S	65	25	150	275	185	9.00	203938
6000S	80	10 - 25	220	370	200	20.00	203946

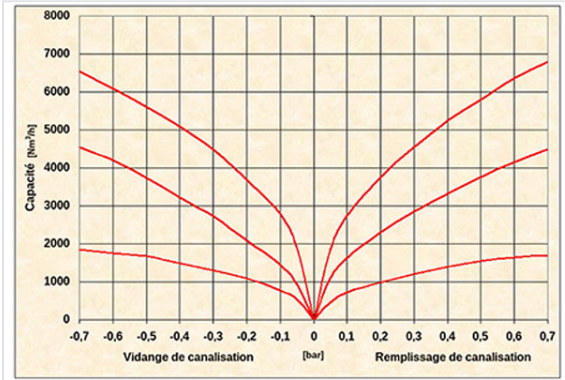


## Material and coating



Item	Quantity	Description	Material
1	1	Body	Ductile iron FGS 400/15 or 500-7
2	1	Upper flange	Ductile iron FGS 400/15 or 500-7
3	1	Protection grid	Stainless steel AISI 304
4	1	Cover	Stainless steel AISI 304
5	4	Threaded bar	Stainless steel AISI 304
6	8	Nut	Stainless steel A2
7	4	Washer	Stainless steel A2
8	1	Float	ABS
9	1	Float guide	ABS
10	1	Ring	ABS
11	1	Gasket seat	ABS
12	1	Lip seal	EPDM 55

## Performances



## Capacity of air flow

The information on this sketch is, to the best of our knowledge correct at the time of printing. However Saint-Gobain are constantly looking at ways of improving their products and services therefore reserve the right to change without prior notice, any of the data shown. Any orders placed will be subject to our Standard Conditions of Sale, available on request.