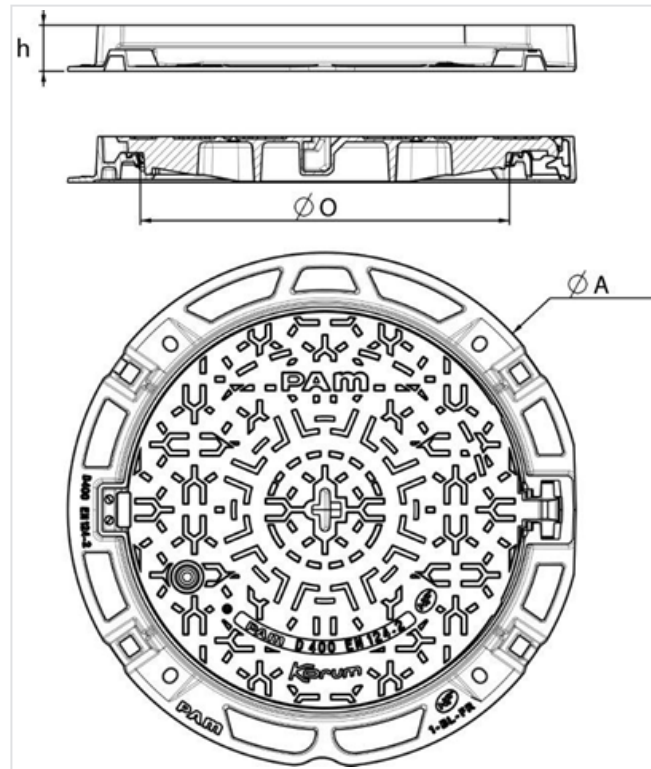


Manhole Cover KORUM Class D400 Round Frame - Non Ventilated



Frame depth 75mm Ø 600 - Safety

A (mm)	O (mm)	h (mm)	Total Mass (kg)	Cover mass (kg)	Packaging	Version	References
840	602	75	59.28	38	10	Standard	CDKO60EFX51

Material and coating:

- Frame and cover in Ductile Iron EN GJS 400-15: water base
- [Ring in EVA](#)



Field of application:

- Group 4 (class D 400) in accordance with EN124-2 standard, carriageways of roads (including pedestrian streets), hard shoulders and parking areas, for all types of road vehicles.
- Medium traffic and periodic inspection.
- Korum 75 is fit for roads featuring a thinner asphalt / tarmac layer than traditional roads structures which require standard 100m-deep frames.

Origine France Garantie

- This product is made in France in our foundry in Blénod-les-Pont-A-Mousson (54), and is certified Origine France Garantie. This guarantees consumers that the product is made in France in accordance with specifications available on originefrancegarantie.fr. The certification number is: BVCert 6026906.
- *"Origine France Garantie certification is awarded by an independent certification body. Checks are then carried out every year to ensure that the product is indeed 100% made in France and that at least 50% of the product's manufacturing costs (including raw materials) are of French origin".»*

Main characteristics:

- Compliance with EN124-2:2015 testified by SG PAM as the standard allows it
- [Automatic locking by ductile iron spring bar](#)
- Hinged cover, opens to 110°, blocks at 90° when closing
- Interchangeable cover between ventilated and non-ventilated version
- Optimized cover design & thickness dimensionally compatible with reduced frame depth (75mm) and allowing a safe & stable stacking
- Optional locking system
- Cover of Korum for 100mm-deep frame and cover of Korum for 75mm-deep frame are not interchangeable

Anti-theft / anti-intrusion:

- [Sliding ductile locking kit D50-type](#) (product code: C47)
- [Lock activating key](#) (product code: C46)
- [Cover anti-theft spline](#): product code:170900 (unit) or C59 (pack of 10 pcs)

Installation:

In case of a 75mm-deep frame, use exclusively a mortar with a 50 MPa resistance to compression.

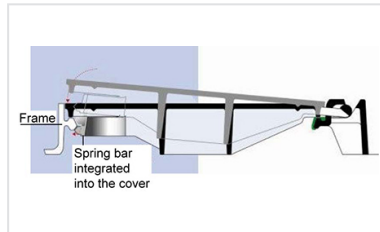
Recommended thicknesses:

- Class CP 325 or 500 concrete: 8 cm
- Quick setting mortars with 30 or 50 MPa: 4cm

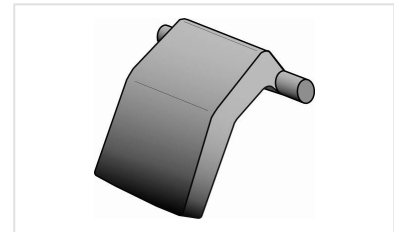
Linked products



EVA ring



Manhole covers - Locking of the cover by spring bar



Cover anti-theft spine for Manhole cover KOREX 600 and BELSYS 600

The information on this sketch is, to the best of our knowledge correct at the time of printing. However Saint-Gobain are constantly looking at ways of improving their products and services therefore reserve the right to change without prior notice, any of the data shown. Any orders placed will be subject to our Standard Conditions of Sale, available on request.