

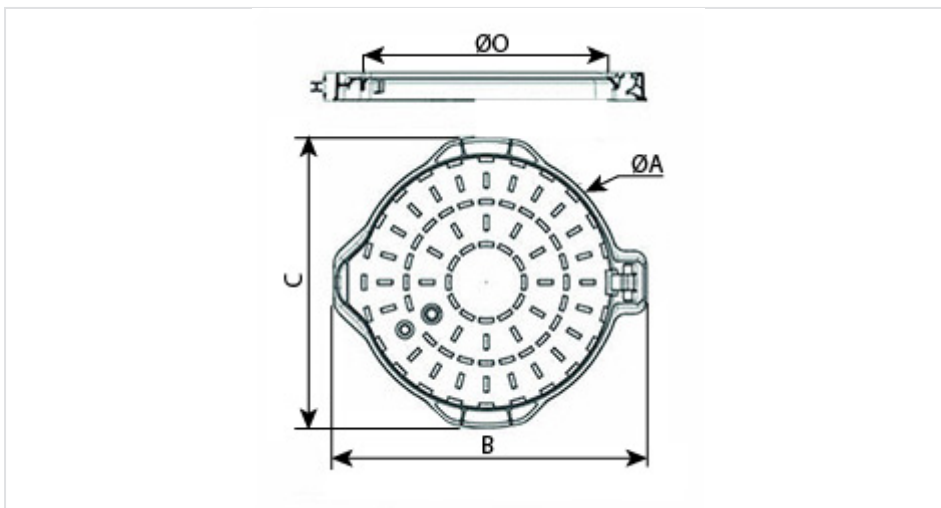


Manhole cover PASSUS B125 class



Hinged round manhole cover manufactured according to EN124 standard, B125 class, composed with cover and frame made of ductile iron according to ISO 1083 with bituminous coating. Clear opening of 600 mm. Opens to 100° with 90° safety block. Automatic locking system by spring bar located in the frame.

A (mm)	B (mm)	C (mm)	O (mm)	H (mm)	Total Mass (kg)	Cover mass (kg)	Packaging	References
660	782	720	600	70	27.00 kg	17.2	10	CBPU60EZ





Material and coating:

- Frame and cover in Ductile Iron EN GJS 400-15 according to the standard ISO 1083 with bituminous coating.

Field of application:

- B125 class (Group 2) according to standard EN124-2, footways, pedestrian areas and comparable areas, car parks and car parking decks.
- Periodic inspections.

Main characteristics:

- Compliance with EN124-2:2015 testified by SG PAM as the standard allows it
- Automatic locking by ductile iron spring bar.
- Hinged cover opens to 100° with safety block at 90°.
- Optional locking system.
- Optional cover anti-theft spline.
- Possibility of epoxy coating (on request).
- Personalized cover possibility (on request).

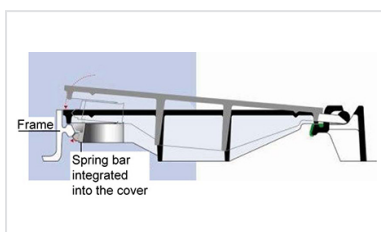
Conformity:

Saint-Gobain PAM attests that:

- the above mentioned products are manufactured in compliance with specifications, materials & characteristics as per EN124-2 : 2015 standard
- the features and performances of the above mentioned products are controlled and comply with requirements of EN124-1 : 2015 standard

The PAM brand affixed on these related products materialises this attestation of conformity.

Linked products



Manhole covers - Locking
of the cover by spring bar



The information on this sketch is, to the best of our knowledge correct at the time of printing. However Saint-Gobain are constantly looking at ways of improving their products and services therefore reserve the right to change without prior notice, any of the data shown. Any orders placed will be subject to our Standard Conditions of Sale, available on request.