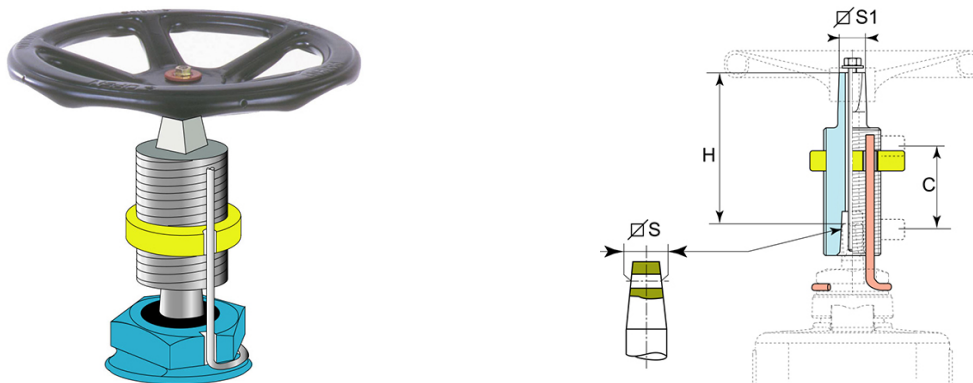


Manual position indicator



This apparatus installed on a valve euro 20 makes it possible to visualize if this valve is opened or closed.

Euro 20 with position indicator equips the general circuits with raw water filtered or drinkable of the factories sites.

The position indicator supplements a valve installed on an overhead main, thus a valve with closing clockwise.

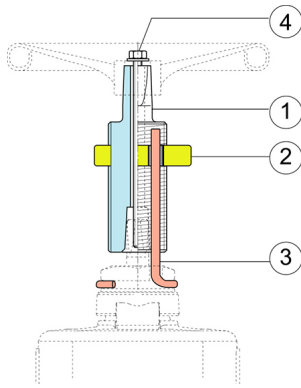
Range

4 types of indicator cover the range Euro 20 DN40 up to 300mm

Type	To install on	Number of turns to close	Square S	Square S1	H	C=Stroke	Threaded rod	Mass
			mm	mm				mm
1	Euro 20 DN40-50	12	15.2	14	120	50	M8	1,6
2	Euro 20 NG DN65-80	18	18.5	17	120	75	M8	1,6
3	Euro 20 NG DN100	23	20.6	19	110	58	M8	1,7
	Euro 20 NG DN 125	28	20.6	19	110	70	M8	1,7
	Euro 20 NG DN150	32	20.6	19	110	80	M8	1,7
4	Euro 20 DN200	33	25.7	24	140	65	M10	3,1
	Euro 20 DN250	42	25.7	24	140	85	M10	3,1
	Euro 20 DN300	50	25.7	24	140	100	M10	3,1

DN	Mass (kg)	References
DN40-50	1.20	173571
DN65-80	1.40	173572
DN100-150	2.00	173573
DN200-300	2.70	173574

Material and coating



Item	Designation	Material	Coating
1	Cap	Stainless steel 316L	zinc dichromate
2	Index	Brass	
3	Stem	Stainless steel	
4	Screw and washer	Steel class 8/8	zinc dichromate

Installation, maintenance

Packaging

KIT position indicator is packed in a plastic bag.

It's installed on a standard valve closing clockwise with a operating handwheel.

The handwheel is not included in the KIT

Each type of position indicator can be installed on several DN of Euro 20 gate valves

For each DN the number of turns to close is different, the index gives an indication of wedge position, the valve Euro 20 must always be completely opened or closed.

To consider a release on the top of the valve to install the position indicator.

This release must be at least of 0,5 times the overall dimension H of position indicator.

To consider the greasing of the operating cap and nut.

Hand wheels type closing clock

Procedure of assembly

- 1- Kit components
- 2- Complete opening of the valve
- 3- Disassembling of the handwheel
- 4- Assembly index on the bonnet
- 5- Assembly Cap + index on the valve
- 6- Assembly in the furrow of the bearing nut
- 7- Stem places from there in the notch of the bearing nut and the index
- 8- Installation of the handwheel and its fixing.



1- Kit components



2- Complete opening of the valve



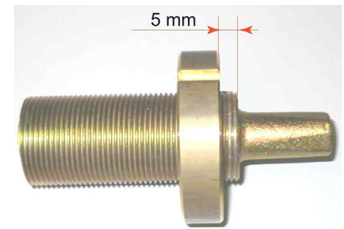
3- Disassembling of the handwheel



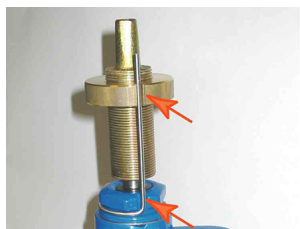
6- Assembly in the furrow of the bearing nut



5- Assembly Cap + index on the valve



4- Assembly index on the bonnet



7- Stem places from there in the notch of the bearing nut and the index



8- Installation of the handwheel and its fixing.

The information on this sketch is, to the best of our knowledge correct at the time of printing. However Saint-Gobain are constantly looking at ways of improving their products and services therefore reserve the right to change without prior notice, any of the data shown. Any orders placed will be subject to our Standard Conditions of Sale, available on request.