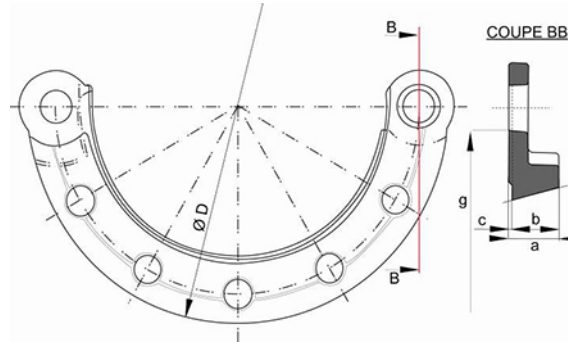


## Mobile flanges DN40-300



DN (mm)	PN	$\varnothing D$ (mm)	$\varnothing g$ (mm)	a (mm)	b (mm)	c (mm)	Mass (kg)	References
40	10 16 25 40	150	84	22	19	3	0.70	BAA40BO10NN2
50	10 16 25 40	165	99	22	19	3	0.80	BAA50BO10NN2
60	10 16	175	108	22.5	19.5	3	0.69	BAA60BO10NN2
60	25 40	175	108	22.5	19.5	3	0.89	BAA60BO30NN2
65	10 16	185	108	22.5	19.5	3	1.10	BAA65BO10NN2
65	25 40	185	108	22.5	19.5	3	1.20	BAA65BO30NN2
80	10 16 25 40	200	132	23	20	3	0.89	BAA80BO10NN2
100	10 16	235	156	23	20	3	0.90	BAB10BO10NN2
100	25 40	235	156	23	20	3	1.50	BAB10BO30NN2
125	10 16	270	186	24.5	21.5	3	1.22	BAB12BO10NN2
125	25 40	270	186	24.5	21.5	3	2.10	BAB12BO30NN2
150	10 16	300	211	26	23	3	1.58	BAB15BO10NN2
150	25 40	300	211	26	23	3	2.60	BAB15BO30NN2
200	10	340	266	29	26	3	2.95	BAB20BO10NN2
200	16	340	266	29	26	3	3.05	BAB20BO20NN2
200	25	360	266	29	26	3	3.69	BAB20BO30NN2
200	40	375	266	32	30	3	4.60	BAB20BO40NN2
250	10	400	319	32	29	3	4.20	BAB25BO10NN2
250	16	400	319	32	29	3	4.20	BAB25BO20NN2
250	25	425	319	32	29	3	5.55	BAB25BO30NN2
250	40	450	345	37	34	3	8.95	BAB25BO40NN2
300	10	455	370	36	32	4	5.55	BAB30BO10NN2

DN (mm)	PN	ØD (mm)	Øg (mm)	a (mm)	b (mm)	c (mm)	Mass (kg)	References
300	16	455	370	36	32	4	5.30	BAB30BO20NN2
300	25	485	370	36	32	4	7.18	BAB30BO30NN2
300	40	515	409	42	38	4	11.75	BAB30BO40NN2

Inside-Outside coating: Aquacoat fittings (AQB) without Bisphenol

*The information on this sketch is, to the best of our knowledge correct at the time of printing. However Saint-Gobain are constantly looking at ways of improving their products and services therefore reserve the right to change without prior notice, any of the data shown. Any orders placed will be subject to our Standard Conditions of Sale, available on request.*