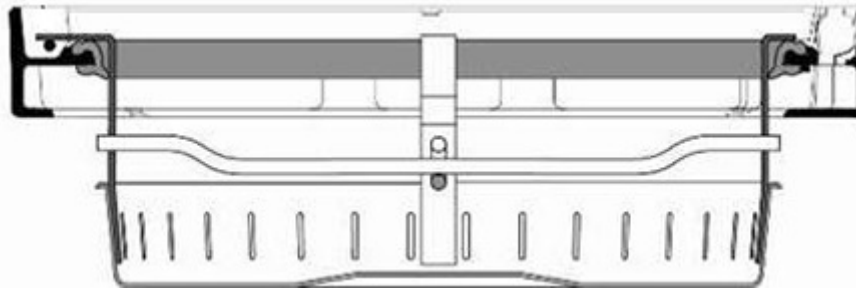


Mudpan for VIATOP/ DYNATOP Manhole covers



The ventilated versions of VIATOP manhole covers can be equipped with a mudpan in stainless steel comprising 3 or 4 legs of suspension resting on the ring.

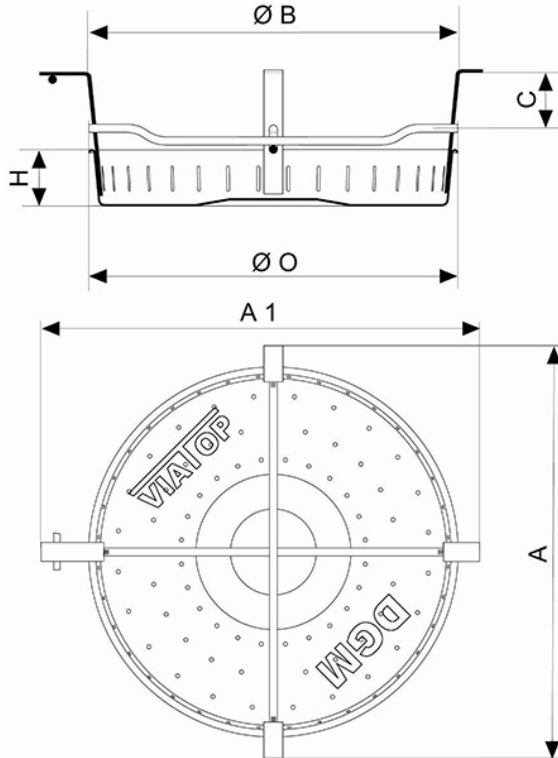
If the mudpan is equipped with a mistake proofing leg, it is necessary to place this one in the opening box

The covers of ventilated VIATOP manhole covers have notches in their skirt enabling to remove all interactions between the cover and the mudpan.

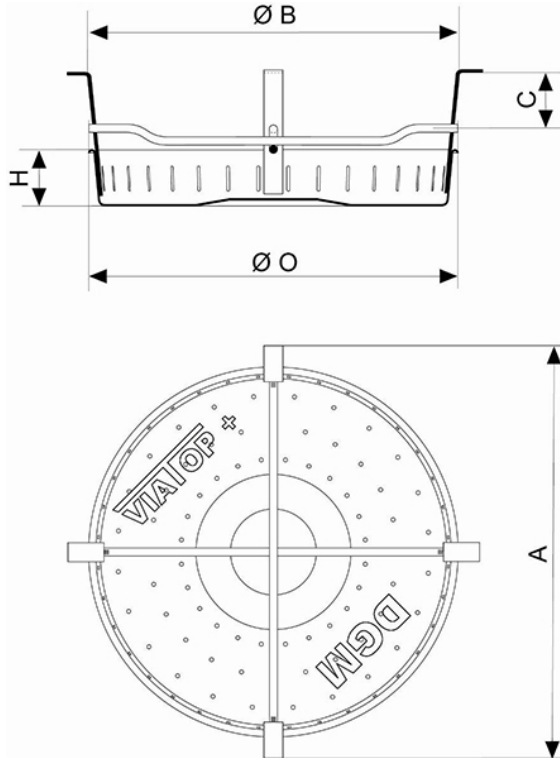
There exist versions of VIATOP manhole covers non-ventilated also having these notches.

Version	A	A1	O	B	C	H	References
VIATOP 600 mudpan / DYNATOP with mistake-proofing leg	660 mm	700 mm	590 mm	594 mm	90 mm	90 mm	C4
VIATOP 600 mudpan without mistake-proofing leg	660 mm		590 mm	594 mm	90 mm	90 mm	185418

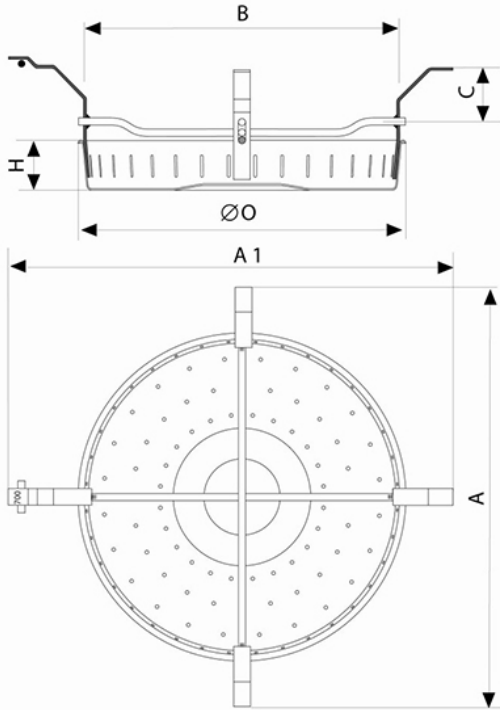
VIATOP 600 mudpan / DYNATOP with mistake-proofing leg



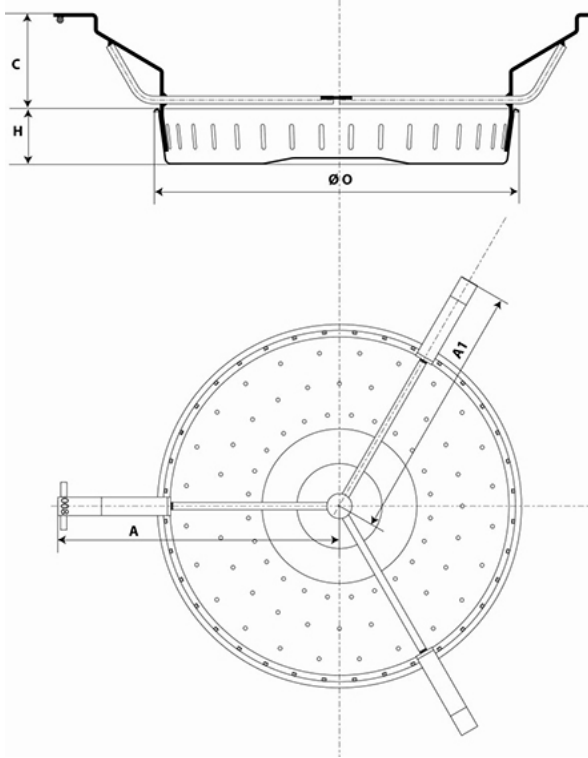
VIATOP 600 mudpan without mistake-proofing leg



VIATOP 700 mudpan



VIATOP 800 mudpan



The information on this sketch is, to the best of our knowledge correct at the time of printing. However Saint-Gobain are constantly looking at ways of improving their products and services therefore reserve the right to change without prior notice, any of the data shown. Any orders placed will be subject to our Standard Conditions of Sale, available on request.