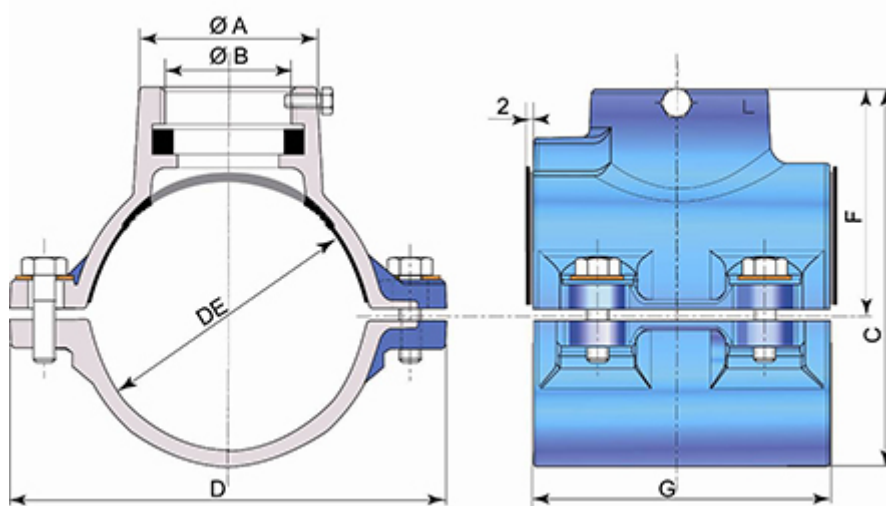


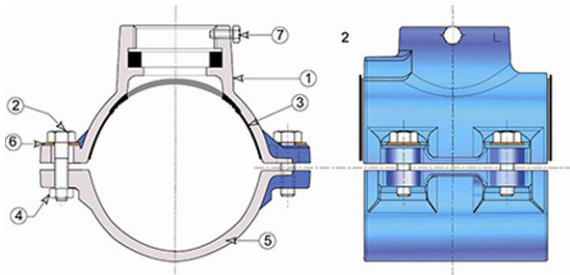
## NEXUS PLUS - Tapping saddles for PVC and PE pipes



DN/OD (mm)	Threaded	B (mm)	A (mm)	D (mm)	F (mm)	G (mm)	Mass (kg)	References
75	M40	55	114.5	145	70	110	2.40	173886
90	M40	55	131.5	159	79.5	122	2.90	173887
110	M40	55	151.5	179	88	122	3.10	173888
125	M40	55	166	195	96.5	122	3.45	178297
140	M40	55	181	210	104	122	3.50	173889
160	M40	55	200	230	113	122	3.70	202177
180	M40	55	223	251	126	122	4.50	202179
200	M40	55	242	271	135	140	5.50	178300
225	M40	55	267.5	297	148	140	5.80	202181
90	M55	73	135.5	159	83.5	122	2.90	178312
110	M55	73	156.5	179	93	122	3.30	178313
140	M55	73	184	210	107	122	3.60	178315
160	M55	73	203	230	116	122	3.80	202178
180	M55	73	226	251	129	122	4.40	202180
200	M55	73	245	271	138	140	5.60	178317
225	M55	73	270.5	297	151	140	5.90	202182
63	M40	55	135	131	64.5	110	2.16	173885



## Materials and coatings



Item	Designation	Material	Coating
1	½ Up Body	Ductile Iron	Epoxy 250 µm
2	Screw	Steel class 8/8	Bichromated Zinc
3	Joint Up body/Pipe	EPDM rubber	
4	Nut	Steel class 8/8	Bichromated Zinc
5	½ Down Body	Ductile Iron	Epoxy 250 µm
6	Washer	Steel	Bichromated Zinc
7	Pressure screw HM8X14	Steel class 8/8	Bichromated Zinc

*The information on this sketch is, to the best of our knowledge correct at the time of printing. However Saint-Gobain are constantly looking at ways of improving their products and services therefore reserve the right to change without prior notice, any of the data shown. Any orders placed will be subject to our Standard Conditions of Sale, available on request.*