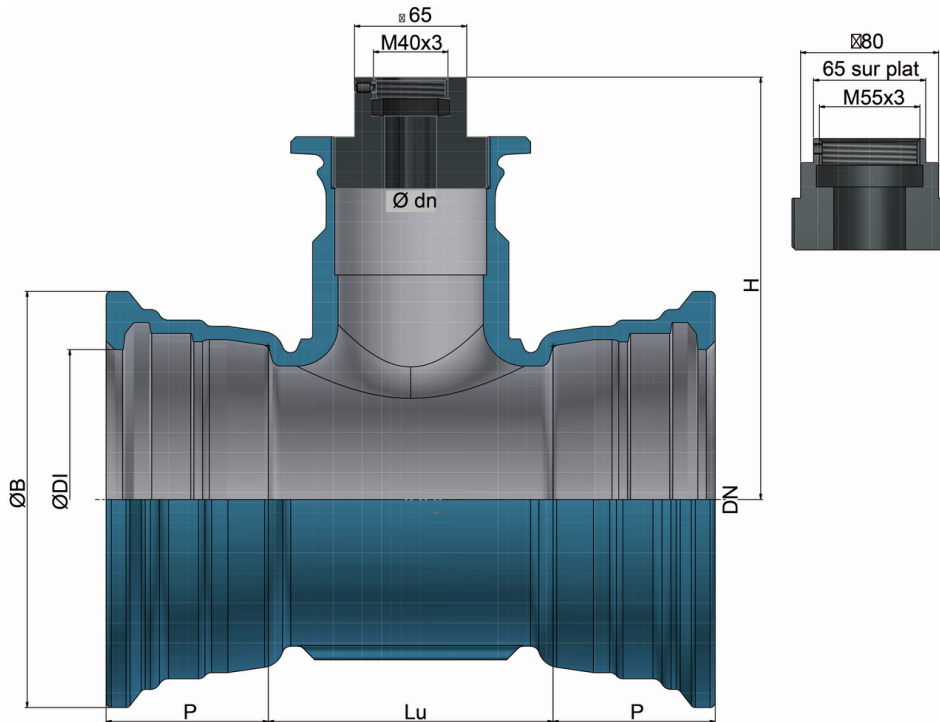


**NEXUS Standard Double Socket Tee with threaded derivation**



| DN (mm) | Version              | Mass (kg) | References  |
|---------|----------------------|-----------|-------------|
| 100     | M40 metric threading | 14.60     | NSB10UD1EPB |
| 100     | M55 metric threading | 14.60     | NSB10UD1EGB |
| 125     | M40 metric threading | 16.80     | NSB12UD1EPB |
| 125     | M55 metric threading | 16.80     | NSB12UD1EGB |
| 150     | M40 metric threading | 19.60     | NSB15UD1EPB |
| 200     | M40 metric threading | 27.00     | NSB20UD1EPB |
| 200     | M55 metric threading | 27.00     | NSB20UD1EGB |
| 250     | M40 metric threading | 31.80     | NSB25UD1EPB |
| 250     | M55 metric threading | 31.80     | NSB25UD1EGB |
| 300     | M40 metric threading | 42.00     | NSB30UD1EPB |
| 300     | M55 metric threading | 42.00     | NSB30UD1EGB |

(\*) standard M40 or M55 metric threading, other type of threading on request



| DN  | Lu  | H     | P   | Ø DI  | Ø B   |
|-----|-----|-------|-----|-------|-------|
| mm  | mm  | mm    | mm  | mm    | mm    |
| 100 | 185 | 211.5 | 88  | 121.4 | 187.5 |
| 125 | 165 | 229.5 | 91  | 147.4 | 214.5 |
| 150 | 165 | 244.5 | 94  | 173.4 | 241.0 |
| 200 | 170 | 274.5 | 100 | 225.5 | 294.0 |
| 250 | 155 | 299.5 | 105 | 277.8 | 351.0 |
| 300 | 155 | 329.5 | 110 | 329.8 | 408.3 |

**Benefits:**

NEXUS Tee brings reliability and sustainability to your threaded derivation. Thanks to the absence of boltings NEXUS Tee is the choice of long term performance. It is **THE** alternative to usual tapping collar for housing connection.

## Field of use:

- For water network
- Standard version for housing connection cock ferrule Nexus M40 metric threading (PB = M40 x 3) and M55 metric threading (GB = M55 x 3)
- Other Threading on request

## Main features:

- Fitting body in ductile iron, threaded derivation cap in steel
- Internal / external coating: blue epoxy 150 µm mini
- Comply with EN 545:2010 and ISO 2531:2009
- Fitting delivered without socket gasket
- Working pressure PFA = 16 bar
- Production unitary test : tightness test at 24 bar

*The information on this sketch is, to the best of our knowledge correct at the time of printing. However Saint-Gobain are constantly looking at ways of improving their products and services therefore reserve the right to change without prior notice, any of the data shown. Any orders placed will be subject to our Standard Conditions of Sale, available on request.*