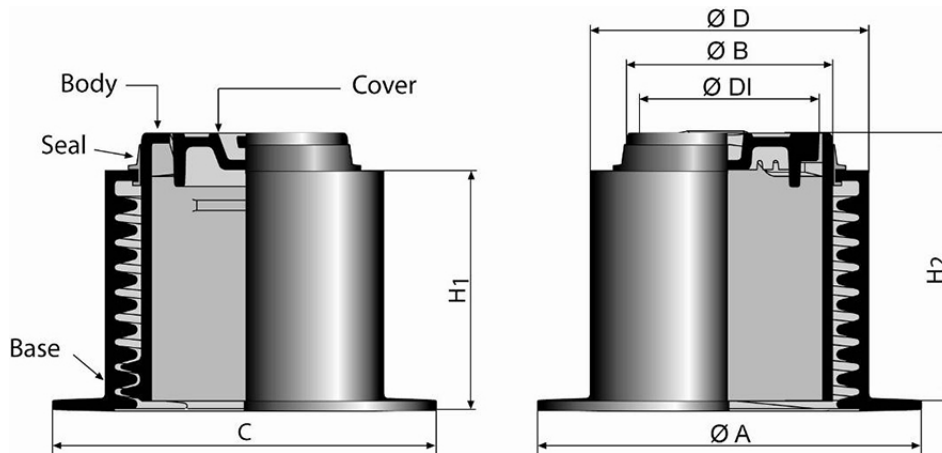


## PAVA 19 Surface box



Type	H1 (mm)	H2 (mm)	ØDI (mm)	A (mm)	C (mm)	B (mm)	D (mm)	Extension (mm)	Packaging	Cover mass (kg)	Mass (kg)	References
Round print hook opening	192	222	145	300	282	162	216	140	25	2.3	22.50 kg	F3PVAC

Type	Mass (kg)	References
Manipulating lid for PAVA 19 (optional)	3.20	F3PVRC-T

### Material and coating:

- Body, base and cover in Ductile Iron EN GJS 400-15: bituminous coating
- Seal in NBR

### Field of application:

- Product not subjected to standard EN 124-2.
- All zones requiring the access to a buried gate valve.

### Origine France Garantie

- This product is made in France in our foundry in Blénod-les-Pont-A-Mousson (54), and is certified Origine France Garantie. This guarantees consumers that the product is made in France in accordance with specifications available on [originefrancegarantie.fr](http://originefrancegarantie.fr). The certification number is: BVCert 6026906.

- *“Origine France Garantie certification is awarded by an independent certification body. Checks are then carried out every year to ensure that the product is indeed 100% made in France and that at least 50% of the product's manufacturing costs (including raw materials) are of French origin”.»*

## Main characteristics:

- [Surface box with built-in extension](#)
- Side bonding ribs at the base of the body to prevent from rotation during levelling operation and a wide base reducing risk of subsidence under traffic
- [Easy levelling during the road resurfacing operations](#)
- Dedicated to specific operations requiring a large clear opening, in particular in gas networks

## PAVA 19 kg

Adjustment using the manipulating lid for PAVA 19 Ref SAP: F3PVRC-T

- To remove the lid of the PAVA
- To install manipulating lid in the place
- To adjust the mobile body until its final or provisional situation, it is necessary to use a wrench



To remove the lid of the PAVA



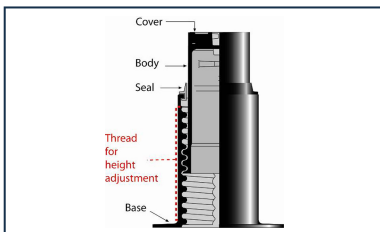


To install manipulating lid in the place like below



To adjust the mobile body until its final or provisional situation, it is necessary to use a wrench

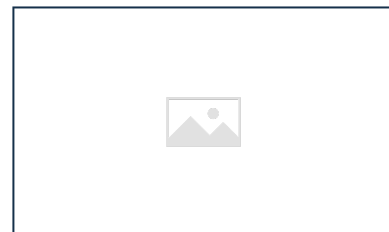
## Linked products



PAVA - Built-in extension capabilities



Installation - Surface box PAVA



Hammer for surface box

Last Update 08/06/2026  
Visit website for latest version



09/06/2026  
**MXXS1PAV104**

*The information on this sketch is, to the best of our knowledge correct at the time of printing. However Saint-Gobain are constantly looking at ways of improving their products and services therefore reserve the right to change without prior notice, any of the data shown. Any orders placed will be subject to our Standard Conditions of Sale, available on request.*