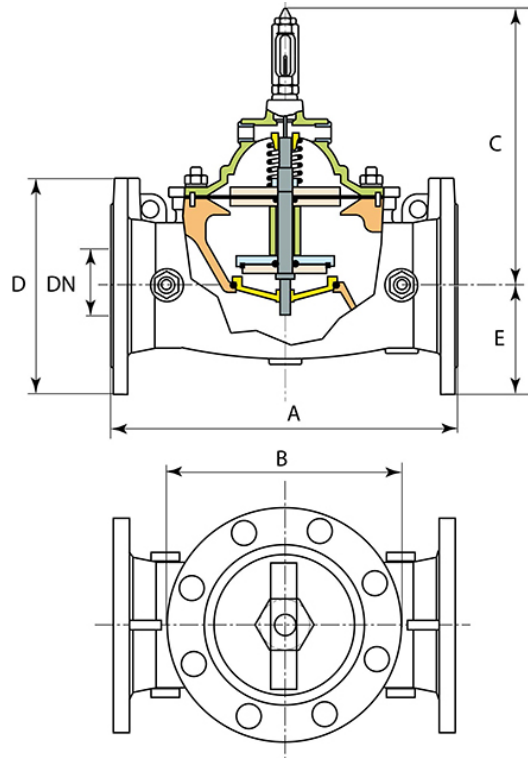


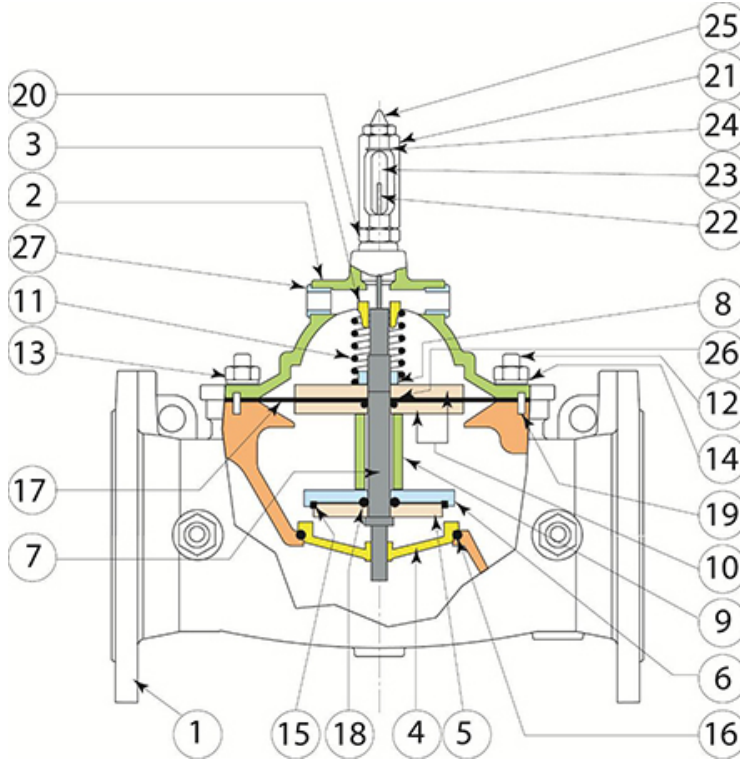
Pressure reducing and sustaining valve type E2115-02



DN (mm)	PN	A (mm)	B (mm)	C (mm)	D (mm)	E (mm)	Mass (kg)	References
50	10 16 25	230	148	246	165	85	23.00	RCA50DDBHE
80	10 16 25	310	148	246	200	100	28.00	RCA80DDBHE
100	10 16	350	206	272	220	110	39.00	RCB10DDCHE
125	10 16	400	267	330	250	125	54.00	RCB12DDCHE
150	10 16	480	267	330	285	145	65.00	RCB15DDCHE
200	10	600	356	402	340	170	113.00	RCB20DDBHE
300	10	850	597	649	455	230	323.00	RCB30DDBHE
500	10	1250	842	840	670	335	935.00	RCB50DDBHE



Material and coating



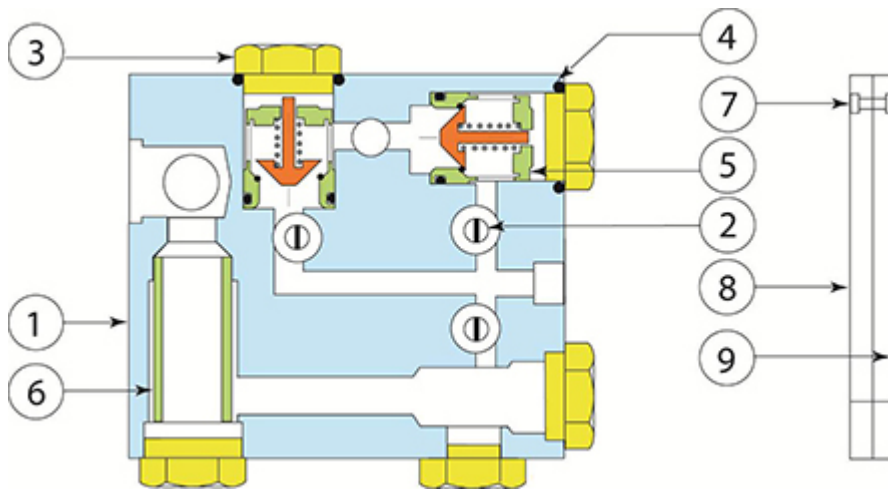
Item	Quantity	Description	Material
01	01	Body	FGS 400-15 (coating BFE epoxy 250µm mini)
02	01	Cover	FGS 400-15 (coating BFE epoxy 250µm mini)
03	01	Cover bearing	Bronze
04	01	Seat	AISI 316
05	01	Quad-ring retainer plate	AISI 316
06	01	Quad-ring retainer size 50-200	AISI 316
07	01	Stem	AISI 303
08	02	Stem nuts	AISI 303
09	01	Spacer	AISI 303
10	02	Diaphragm washers epoxy coated	Steel
11	01	Spring	AISI 302
12	*	Stud	AISI 303
13	*	Nut	AISI 303

Last Update 08/06/2026
 Visit website for latest version



Item	Quantity	Description	Material
14	*	Washer	AISI 303
15	01	Quad-ring	NBR (KTW-WRC)
16	01	Seat O-ring	Viton
17	01	Diaphragm	NBR nylon reinforced (KTW-WRC)
18	01	O-ring	NBR
19	02	Centring taper pin	AISI 303
20	01	Base position indicator	Brass Ni-plated
21	01	Position indicator housing	Brass Ni-plated
22	01	Position indicator stem	AISI 303
23	01	Position indicator	Glass
24	02	O-ring	NBR
25	01	Brass Ni-plated	Brass Ni-plated
26	01	O-ring	NBR
27	01	Reduction	AISI 304

Central Control Unit TUP 93



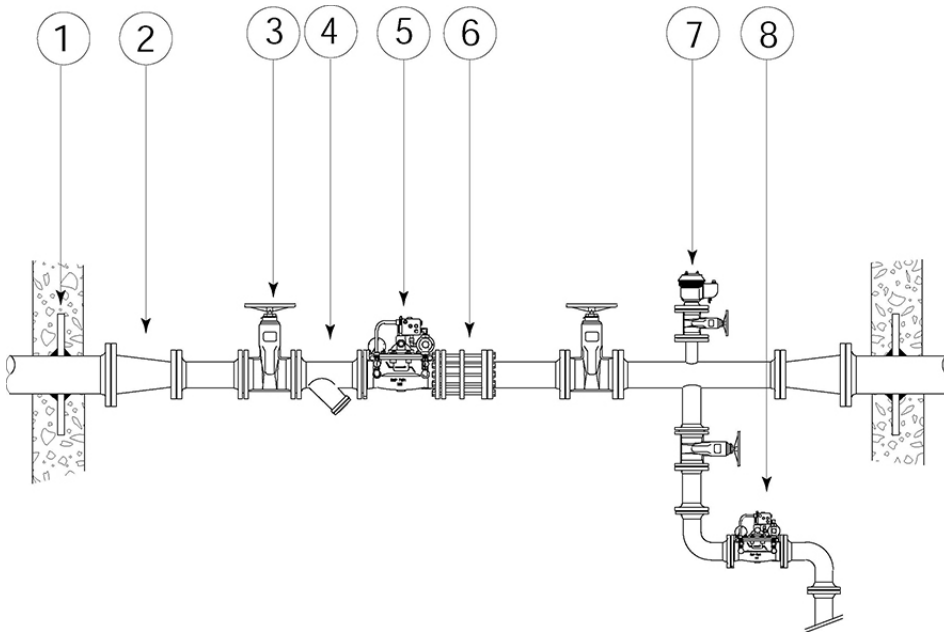
Item	Quantity	Description	Material (type)
01	01	Body	AISI 303
02	03	Cock	AISI 303
03	03	Plug	AISI 303

Last Update 08/06/2026
 Visit website for latest version



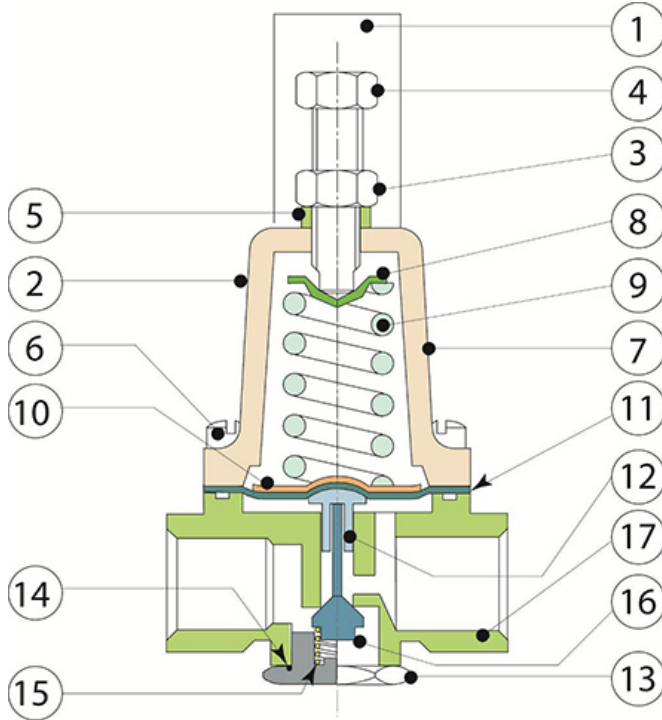
Item	Quantity	Description	Material (type)
04	03	O-ring	NBR
05	02	Non return valve (WRC)	
06	01	Screen	AISI 316
07	01	Rivet	Brass
08	01	Bottom label	Polycarbonate makrolon
09	01	Top label	Polycarbonate makrolon

Mounting scheme (II)



Item	Quantity	Description
01	2	Attachment flange
02	2	Flanged taper
03	3	Isolating valve
04	1	Strainer with drain cock
05	1	Automatic control valve E2001
06	1	Dismantling joint
07	1	Air release / vacuum breaker valve
08	1	Security valve

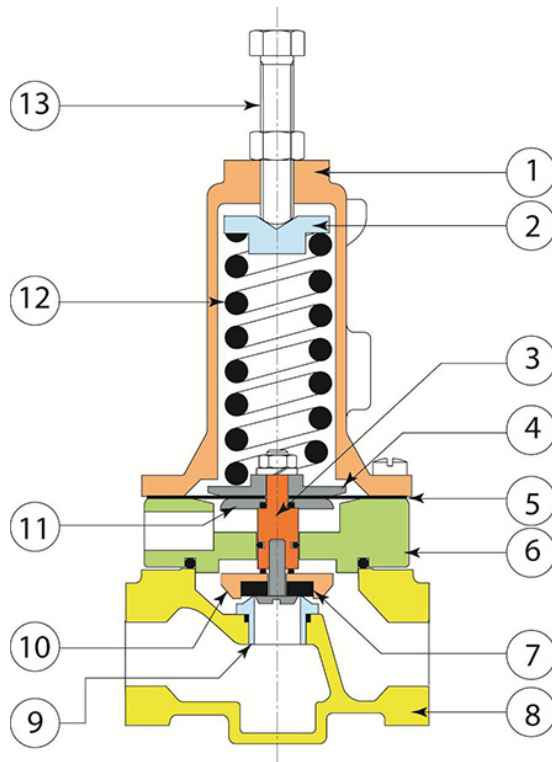
Pilot 263 SS



Item	Number	Description	Material
01	01	Protection cap (lockable)	PVC
02	01	Plastic label (identity card)	
03	01	Nut-adj-screw	AISI 302
04	01	Setting screw	AISI 302
05	01	Cap adaptor	Brass
06	04	Cover screw	AISI 302
07	01	Pilot cover	AISI 303
08	01	Top spring guide	AISI 303
09	01	Spring	AISI 302
10	01	Diaphragm washer	AISI 304
11	01	Diaphragm	NBR nylon reinforced
12	01	Diaphragm button	AISI 303
13	01	Bottom obturator plug	AISI 303

Item	Number	Description	Material
14	01	O'ring	NBR
15	01	Obturator - spring - button	AISI 302
16	01	Obturator (Y-poppet)	AISI 303
17	01	Body	AISI 303

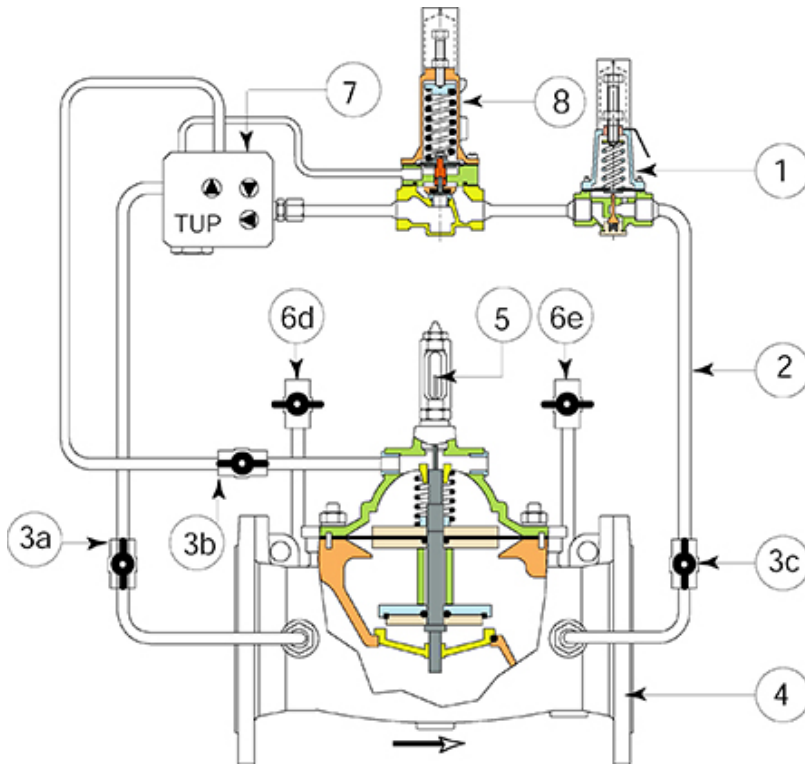
Pilot PV 20 c



Item	Description	Material
1	Pilot cover	Bronze
2	Top spring guide	Bronze
3	Obturator / stem	Brass
4	Top diaphragm washer	Brass Ni-plated
5	Diaphragm	NBR nylon reinforced
6	Spacer	Brass Ni-plated
7	Seat gasket	NBR

Item	Description	Material
8	Body	Bronze
9	Seat	AISI 316
10	Seat retainer	Brass
11	Bottom diaphragm washer	Brass Ni-plated
12	Spring	AISI 302
13	Setting screw	AISI 303

Hydraulic scheme



Item	Description	Material
1	Pressure reducer pilot 263 SS or AP	AISI 304
2	Tube	AISI 304
3a-3b-3c	Ball valve	Brass Ni-plated
4	Main valve	
5	Position indicator with manual venting cock	

Item	Description	Material
6d-6e	Gauge holder ball valve (manometer)	Brass Ni-plated
7	Centralized control unit TUP 93	
8	Pressure sustaining pilot PV 20 C	

The information on this sketch is, to the best of our knowledge correct at the time of printing. However Saint-Gobain are constantly looking at ways of improving their products and services therefore reserve the right to change without prior notice, any of the data shown. Any orders placed will be subject to our Standard Conditions of Sale, available on request.