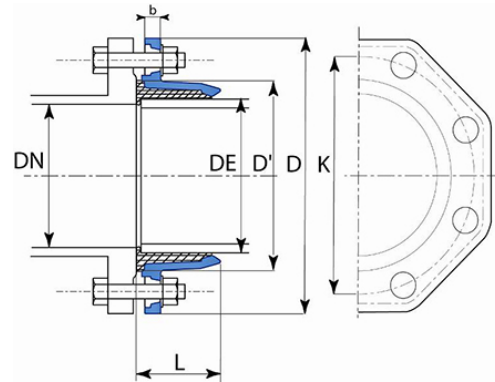


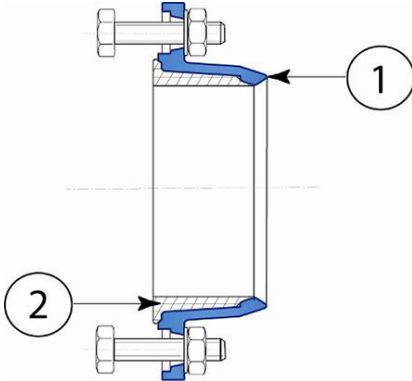
QUICK GS - Simple Version DN60-300



DN flange (mm)	ØDE (mm)	L (mm)	D (mm)	D' (mm)	b (mm)	K (mm)	Mass (kg)	References
60-65	77	51	185	110	16	145	1.80	MAA60CACH
80	98	56	200	134.5	16	160	2.25	MAA80CACH
100	118	63	220	156	16	180	2.65	MAB10CACH
125	144	70	250	183	16	210	3.65	MAB12CACH
150	170	76	285	210	16	240	4.60	MAB15CACH
200	222	90	340	265	17	295	7.15	MAB20CACH
250	274	108	400	322	19	350 (PN10) - 355 (PN16)	10.90	MAB25CACH
300	326	117	455	373	20.5	400 (PN10) - 410 (PN16)	13.80	MAB30CACH

* DN200-250-300: flange multi-drilling ISO PN10 and ISO PN16

Material and coatings



1. Counter-flange: Ductile iron coated by blue epoxy powder 250 microns average thickness with a minimum of 200 microns, conforming to EN 14901-1 (PECB)
2. Tightness gasket: EPDM

The information on this sketch is, to the best of our knowledge correct at the time of printing. However Saint-Gobain are constantly looking at ways of improving their products and services therefore reserve the right to change without prior notice, any of the data shown. Any orders placed will be subject to our Standard Conditions of Sale, available on request.