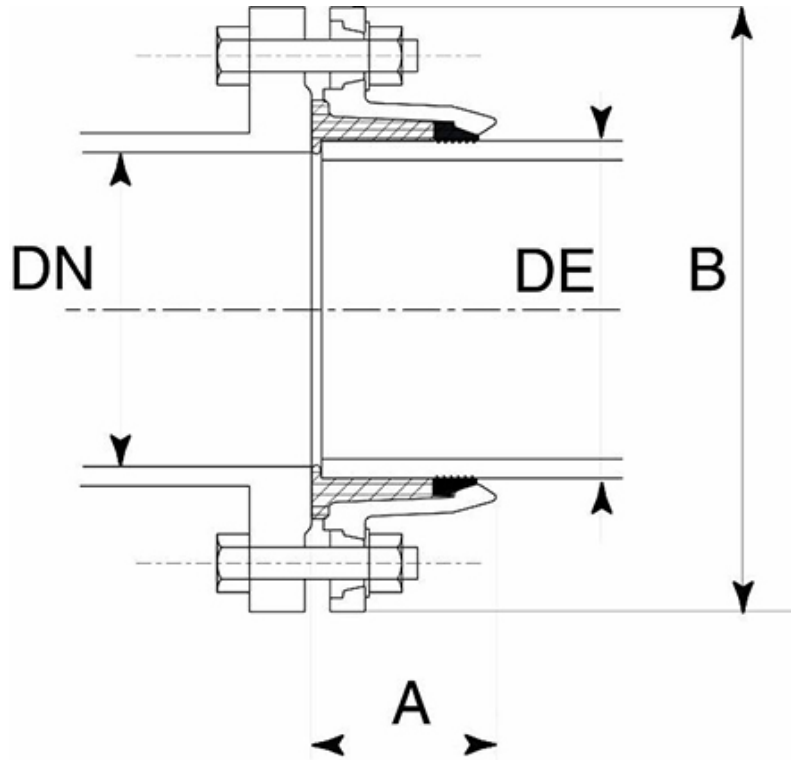


## QUICK PVC for PVC-PE - Anchored Version



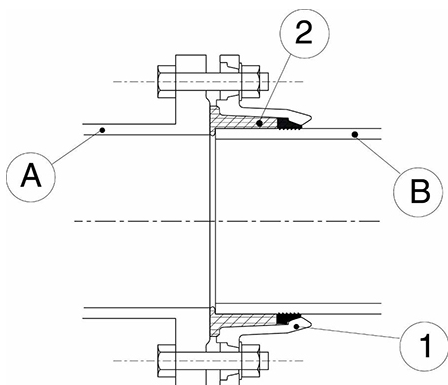
DN flange (mm)	DN/OD (mm)	ØDE (mm)	A (mm)	B (mm)	Mass (kg)	References
40	40	40	50	150	1.30	MAL40DBCH
50	63	63	54	165	1.90	MAL60DBCH
60/65	63	63	54	185	2.10	MAL65DBCH
60/65	75	75	58	185	2.40	MAL75DBCH
80	90	90	62	200	2.80	MAL90DBCH
100	110	110	68	220	3.40	MAM11DBCH
125	125	125	73	250	4.30	MAM12DBCH
150	160	160	82	285	5.70	MAM16DBCH
200	200	200	91	340	8.20	MAM20DBCH
200	225	225	93	340	7.70	MAM22DBCH



### Field of use

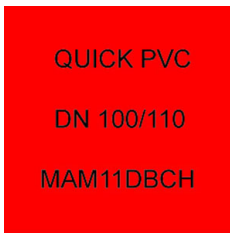
Conformity to pipes according to EN12842.

### Material and coatings



Item	Designation	Material	Coating
1	Gland	Ductile iron	Blue epoxy powder 250 microns average thickness with a minimum of 200 microns, conforming to EN 14901-1 (PECB)
2	Tightness gasket	EPDM	
3	Anchoring gasket	Brass type Cu Zn 40	
A	Valve	Ductile iron	
B	Pipe	PVC	

## Marking



*The information on this sketch is, to the best of our knowledge correct at the time of printing. However Saint-Gobain are constantly looking at ways of improving their products and services therefore reserve the right to change without prior notice, any of the data shown. Any orders placed will be subject to our Standard Conditions of Sale, available on request.*