

RepLINK - Ductile iron repair clamp

Version 1



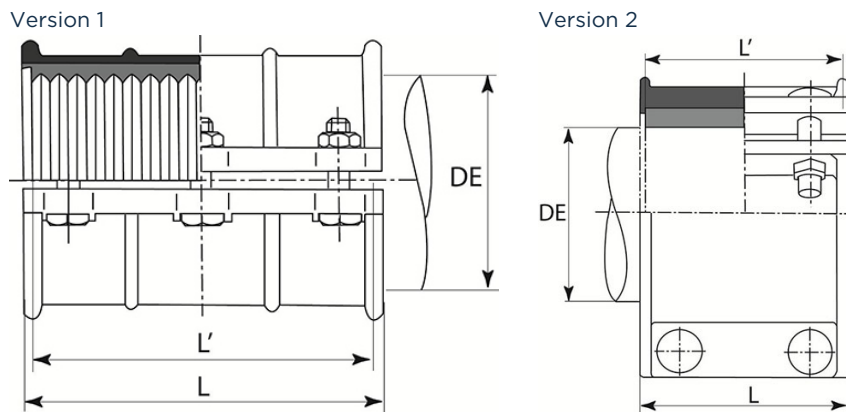
Version 2



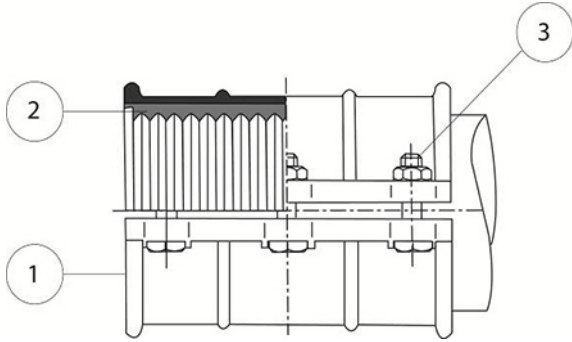
For steel, ductile iron, PVC/PE and fiber-cement pipes with very high tolerance.
Easy implementation, with $\pm 3^\circ$ angular deflection

DN (mm)	ØDE mini (mm)	ØDE maxi (mm)	PFA	L (mm)	Type	Mass (kg)	References
40	44	52	16 bar	200	W2-O / Version 1	6.00	MRA40SACO
40	54	61	16 bar	200	W2-A / Version 1	6.00	MRA40SACA
50	60	68	16 bar	200	W2-B / Version 1	5.90	MRA50SACB
60/65	76	87	16 bar	240	W2-C / Version 1	8.30	MRA60SACC
80	89	98	16 bar	200	W2-D / Version 1	8.60	MRA80SACD
80	95	108	16 bar	200	W2-F / Version 1	8.40	MRA80SACF
100	108	118	16 bar	240	W2-G / Version 1	11.60	MRB10SACG

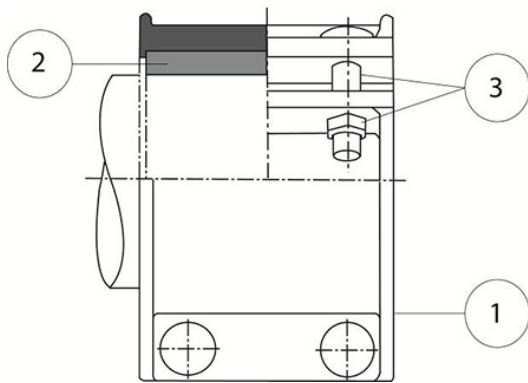
DN (mm)	ØDE mini (mm)	ØDE maxi (mm)	PFA	L (mm)	Type	Mass (kg)	References
100	116	128	16 bar	240	W2-I / Version 1	11.20	MRB10SACY
125	133	144	16 bar	245	W2-J / Version 1	12.80	MRB12SACJ
125	142	150	16 bar	245	W2-L / Version 1	22.80	MRB12SACL
150	159	172	16 bar	300	W2-M / Version 1	21.30	MRB15SACM
150	168	184	16 bar	300	W2-P / Version 1	22.30	MRB15SACP
175	193	203	16 bar	400	W2-Q / Version 1	39.90	MRB17SACQ
200	214	225	16 bar	400	W2-R / Version 1	37.50	MRB20SACR
200	216	244	10 bar	260	W3-H / Version 2	25.50	MRB20SACH
250	267	274	16 bar	460	W2-S / Version 1	42.50	MRB25SACS
250	267	298	10 bar	355	W3-I / Version 2	46.00	MRB25SACY
300	315	326	16 bar	500	W2-U / Version 1	73.00	MRB30SACU
300	315	358	10 bar	400	W3-J / Version 2	59.60	MRB30SACJ
350	368	400	10 bar	505	W3-K / Version 2	85.00	MRB35SACK
400	400	429	10 bar	505	W3-N / Version 2	89.00	MRB40SACN



Material and coating



Version 1



Version 2

Item	Designation	Number	Material	Standard
1	Body	2 parts for version 1	Ductile iron GS/EN-GJS-400-15	NF EN 1563
		3 parts for version 2		
2	Joint	1	EPDM	EN 681-1
3	Bolts and nuts (*)	s/DN	Hot galvanised steel class 8.8	ISO 8677

(*) Bolts and nuts in stainless steel and coated with PTFE: please consult us.

The information on this sketch is, to the best of our knowledge correct at the time of printing. However Saint-Gobain are constantly looking at ways of improving their products and services therefore reserve the right to change without prior notice, any of the data shown. Any orders placed will be subject to our Standard Conditions of Sale, available on request.