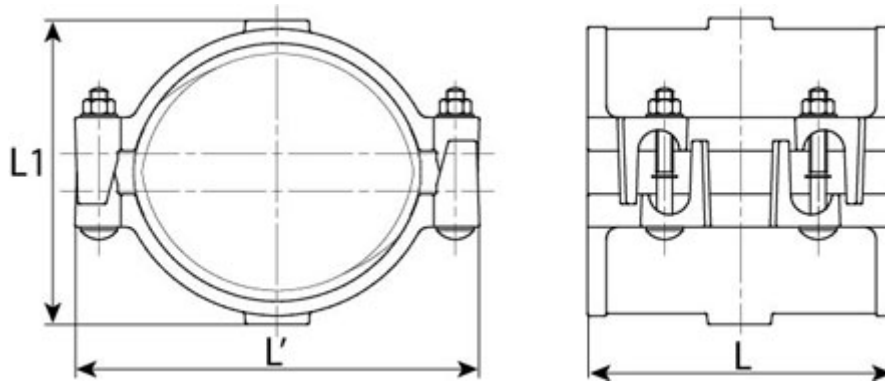


RepLINK - Ductile iron repair clamp in two parts



For steel, ductile iron, PVC/PE and fiber-cement pipes with very high tolerance.
Easy implementation, with $\pm 3^\circ$ angular deflection.

ØDE mini (mm)	ØDE maxi (mm)	L1 (mm)	L2 (mm)	L (mm)	Mass (kg)	References
66	75	150	110	200	4.10	MRA50MACB
75	84	159	119	200	4.40	MRA60MACC
92.3	103	184	145	200	4.90	MRA80MACF
115	125.6	211	167	200	6.00	MRB10MACY
141	153.9	239	182	200	7.50	MRB12MACL
166	181.2	267	267	200	8.30	MRB15MACP
200	210	296	238	200	9.00	MRB17MACQ
216.5	226	313	269	200	9.50	MRB20MACR
230	243.5	328	281	200	10.80	MRB21MACR
243	267	362	307	212	13.60	MRB22MACR
269	294	395	322	250	18.50	MRB25MACS
323	349	450	387	300	25.20	MRB30MACV



Material and coating

Description	Material	Coating
Threaded cap	Ductile iron conformity BS EN 1563:1997 EN-GJS-450-10	Nylon Rilsan 11 conformity WIS 4-52-01 (Part 1)
Single cap	Ductile iron conformity BS EN 1563:1997 EN-GJS-450-10	Nylon Rilsan 11 conformity WIS 4-52-01 (Part 1)
Connecting plate	Stainless steel conformity BS1449:Part 2:1983 Grade 304S15 2B	
Joint	Grade E, 60 IRHD EPDM conformity BS2494: 1990/W+D	
Bolts	Steel conformity BS EN ISO 898-1:2001, catégorie de propriété 4.8	Sheraplex conformity WIS 4-52-03
Nuts	Steel conformity BS 4190:2001, Grade 4	
Washers	Stainless steel conformity BS1449:Part 2:1983 Grade 304S15	

Marking



Conformity

All materials and coatings which are in contact with water are compatible with drinking water and have a WRAS attestation.

The Ductile iron repair clamp has an alimentary certificate (ACS) for use with d

The information on this sketch is, to the best of our knowledge correct at the time of printing. However Saint-Gobain are constantly looking at ways of improving their products and services therefore reserve the right to change without prior notice, any of the data shown. Any orders placed will be subject to our Standard Conditions of Sale, available on request.